

**CULINAIRE™ 33" STAINLESS STEEL
KITCHEN SINK**

7504.103 Top Mount

- 18 Gauge Stainless Steel
- 18/10 Chrome Nickel content
- Dual level bowl design
- Top mount
- Single faucet hole
- One accessory hole
- Mounting clips supplied

Nominal Dimensions:

838 x 559 x 229 x 129mm
(33" x 22" x 9" x 5")

7504.000 Undercounter Mount

- 18 Gauge Stainless Steel
- 18/10 Chrome Nickel content
- Dual level bowl design
- Undercounter installation
- Mounting clips and cutout template supplied

Nominal Dimensions:

785 x 536 x 220 x 120mm
(31" x 21-1/8" x 8-5/8" x 4-3/4")

Bowl sizes:

Right Hand: 150mm (6") wide
343mm (13-1/2") front to back
121mm (4-3/4") deep

Left Hand: 540mm (21") wide
476mm (18-3/4") front to back
219mm (8-5/8") deep

Compliance Certifications -

Meets or Exceeds the Following Specifications:

- ASME A112.19.3 for Stainless Steel Plumbing Fixtures
- CSA B45 for Plumbing Fixtures



7504.103 Shown with **4137.100** Culinaire Pull-out Kitchen Faucet (not included)



7504.000 Shown with **4233.701** Culinaire Kitchen Faucet (not included)

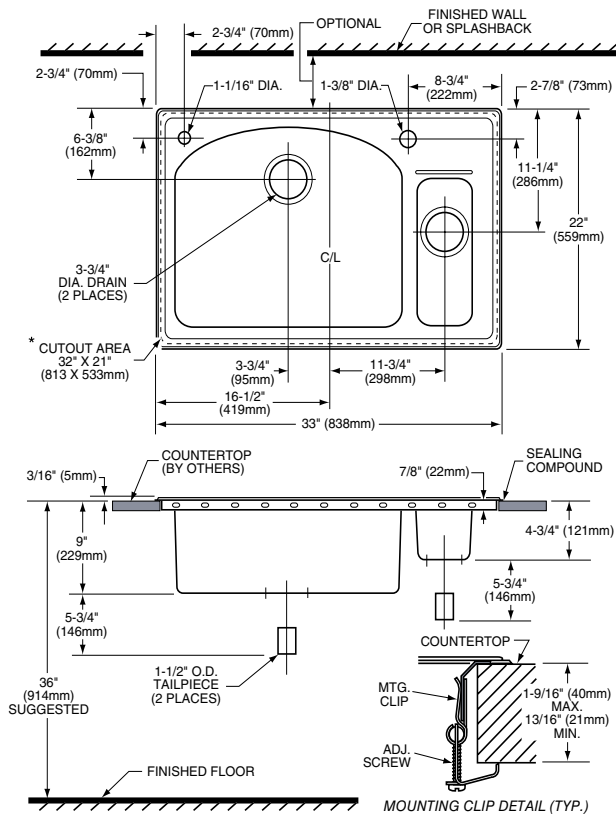
SEE REVERSE SIDE FOR ROUGHING-IN DIMENSIONS

To Be Specified:

- | | |
|---|--|
| <ul style="list-style-type: none"> <input type="checkbox"/> Color: Stainless Steel <input type="checkbox"/> Faucet*: <input type="checkbox"/> Faucet Finish: <input type="checkbox"/> Basket Strainer: 4331.013 <input type="checkbox"/> Soap Dispenser: 4503.115 <input type="checkbox"/> Vinyl Coated Bottom Sink Rack-Lg: 7414.100 | <ul style="list-style-type: none"> <input type="checkbox"/> Vinyl Coated Dish Rack-Sm: 7532.100 <input type="checkbox"/> Vinyl Coated Dish Rack-Lg: 7534.100 <input type="checkbox"/> Wood Cutting Board-Rectangular: 9001.100 <input type="checkbox"/> Stainless Steel Colander: 8130.100 <input type="checkbox"/> Hole Cover Plug: 790773-0070A <input type="checkbox"/> Top Mount Clip Kit for 1" plus-thick countertop: 790772-0070A |
|---|--|

* See faucet section for available models

7504.103 Top Mount



NOTES:
FITTINGS NOT INCLUDED AND MUST BE ORDERED SEPARATELY.
PROVIDE SUITABLE REINFORCEMENT FOR ALL WALL AND COUNTERTOP SUPPORTS.

IMPORTANT: Dimensions of fixtures are nominal and may vary within the range of tolerances established by ASME A112.19.3. These measurements are subject to change or cancellation. No responsibility is assumed for use of superseded or voided leaflet.

NOTES:
* TEMPLATE PROVIDED WITH MOUNTING KIT FOR UNDER-COUNTER CUTOUT VARIATIONS.

FITTINGS NOT INCLUDED AND MUST BE ORDERED SEPARATELY.
PROVIDE SUITABLE REINFORCEMENT FOR ALL WALL AND COUNTERTOP SUPPORTS.

IMPORTANT: Dimensions of fixtures are nominal and may vary within the range of tolerances established by ASME A112.19.3. These measurements are subject to change or cancellation. No responsibility is assumed for use of superseded or voided leaflet

7504.000 Undercounter Mount

