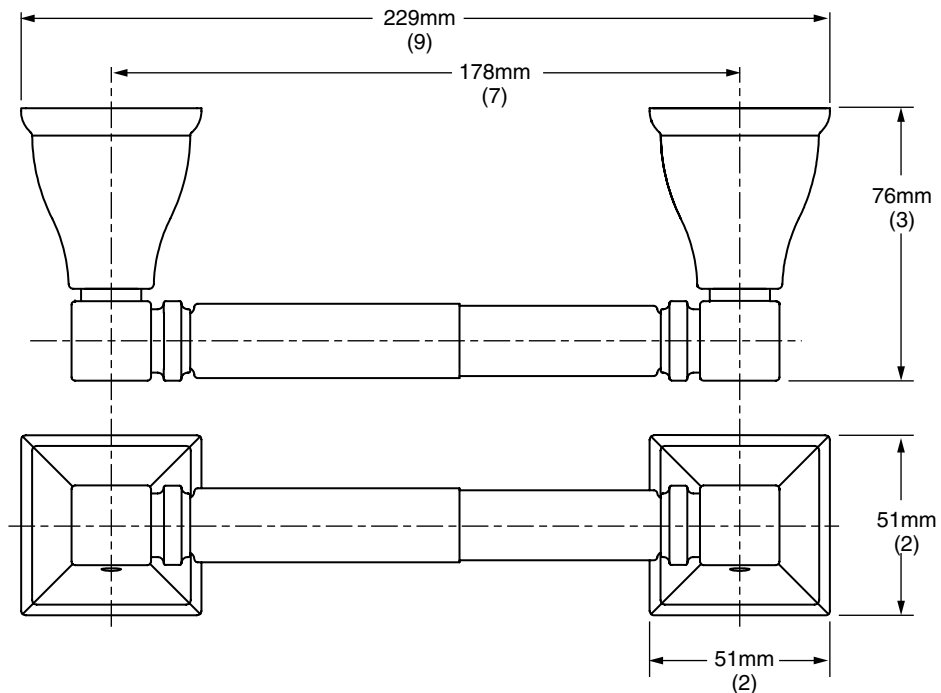


MODEL NUMBER:

☐ 2555.061 Toilet Tissue Holder

Available Finishes

.002	Polished Chrome
.068	PVD Blackened Bronze
.295	PVD Satin Nickel



PRODUCT FEATURES:

Materials of Construction: Solid brass construction for durability & long life.

Concealed Mounting

Easy to Install

Durability of Finishes: Chrome and PVD finishes will never tarnish.

SUGGESTED SPECIFICATION:

Toilet Tissue Holder shall feature solid brass construction with tarnish - free PVD finish. Shall feature concealed mounting. Toilet Tissue Holder tube shall be brass. Toilet Tissue Holder shall be American Standard Model # 2555.061.____.