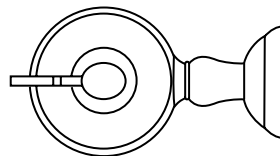
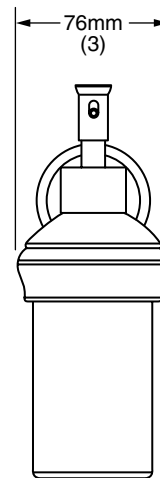
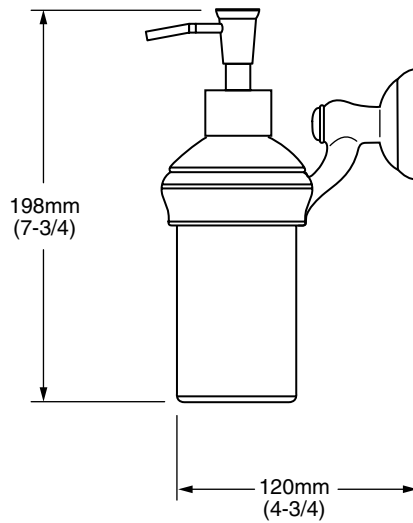


MODEL NUMBER:

■ 6751 Soap/Lotion Dispenser

Available Finishes

	Polished Chrome (no finish suffix needed)
S	Satin Nickel



PRODUCT FEATURES:

Heavy duty construction: Highest quality materials for durability & long life.

Concealed Mounting: No exposed set screws.

Materials of Construction: Body - zinc. Escutcheon - brass. Index button - porcelain. Soap/Lotion bottle - clear glass. Pump - zinc.

Easy to Install

SUGGESTED SPECIFICATION:

Soap/Lotion Dispenser shall feature heavy-duty construction. Shall feature concealed mounting. Soap/Lotion bottle shall be clear glass. Soap/Lotion Dispenser shall be American Standard Model # 6751_.