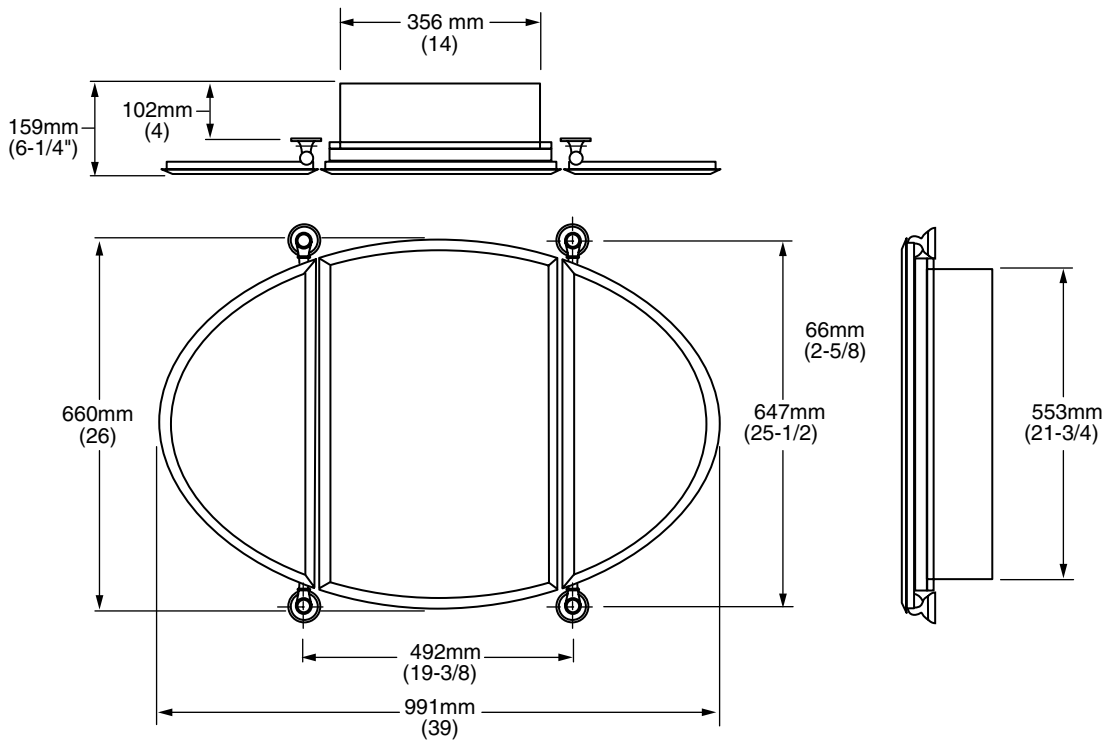


MODEL NUMBER:

■ **6771 Mirror with Medicine Cabinet**

Available Finishes

	Polished Chrome (no finish suffix needed)
S	Satin Nickel



PRODUCT FEATURES:

Heavy duty construction: Highest quality materials for durability & long life.

Concealed Mounting: No exposed set screws.

Materials of Construction: Cabinet - wood. Body - zinc. Escutcheon - brass. Index button - porcelain. Adjustable shelves - tempered glass

SUGGESTED SPECIFICATION:

Mirror with Medicine Cabinet shall feature heavy-duty construction. Shall feature concealed mounting. Medicine Cabinet shall feature adjustable tempered glass shelves. Mirror with Medicine Cabinet shall be American Standard Model # 6771_.