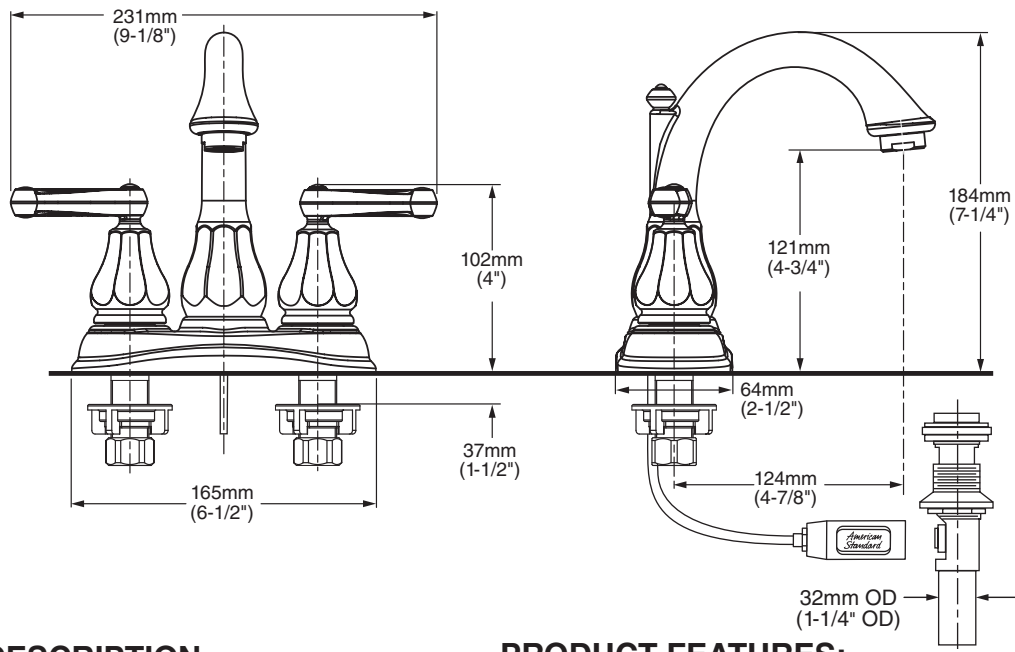




MODEL NUMBER:

- ☐ **6028.201 Dazzle 2 Handle Centerset**
Metal Speed Connect® Pop-up drain.
Metal Lever handles.



GENERAL DESCRIPTION:

Durable cast brass spout and waterway with one-half inch male inlet shanks. 1/4 turn washerless ceramic disc valve cartridges. 20 inch (500mm) long flexible stainless steel drain cable is pre-assembled to faucet body. Metal Speed Connect® drain body with 1-1/4 inch (32mm) tail piece. 1.5 gpm/5.7L/min. maximum flow rate.

PRODUCT FEATURES:

Cast Brass Spout and Waterway: Durable. Ideal for prolonged contact with water.

Ceramic Disc Valve Cartridges: Assure a lifetime of smooth handle operation and drip-free performance.

Lead Free: Faucet contains ≤ 0.25% total lead content by weighted average.

Exclusive Speed Connect Metal Drain:

- Fewer Parts - installs in less time.
- No adjustments required - seals the first time, every time.
- Flexible stainless steel cable - installs effortlessly in tight spaces.

Simple Installation: Fast and easy one person installation. Faucet drops in from top. Quick spin nuts secure faucet in place.

Choice of Finishes: Wide range of durable finishes.

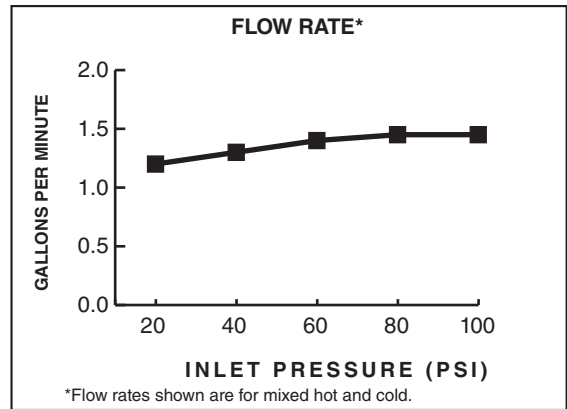
SUGGESTED SPECIFICATION:


4" centerset lavatory faucet shall feature a cast brass spout and waterway with 1/2" male inlet shanks. Shall also feature 1/4 turn washerless ceramic disc valve cartridges. Shall also feature a metal drain body with stainless steel cable actuation. Fitting shall be American Standard Model # 6028.201.____.


CODES AND STANDARDS

These products meet or exceed the following codes and standards:

- ANSI A117.1**
- ASME A112.18.1**
- CSA B 125**
- NSF 61/Section 9 and Annex G**



Product Number	Description	Finish Options		
		Polished Chrome	Oil Rubbed Bronze	Satin Nickel (PVD)
		002	224	295
6028.201	Dazzle 2 Handle Centerset with Metal Speed Connect® Pop-up drain. Metal Lever handles. 			

 Meets the American Disabilities Act Guidelines and **ANSI A117.1** Requirements for the physically challenged.