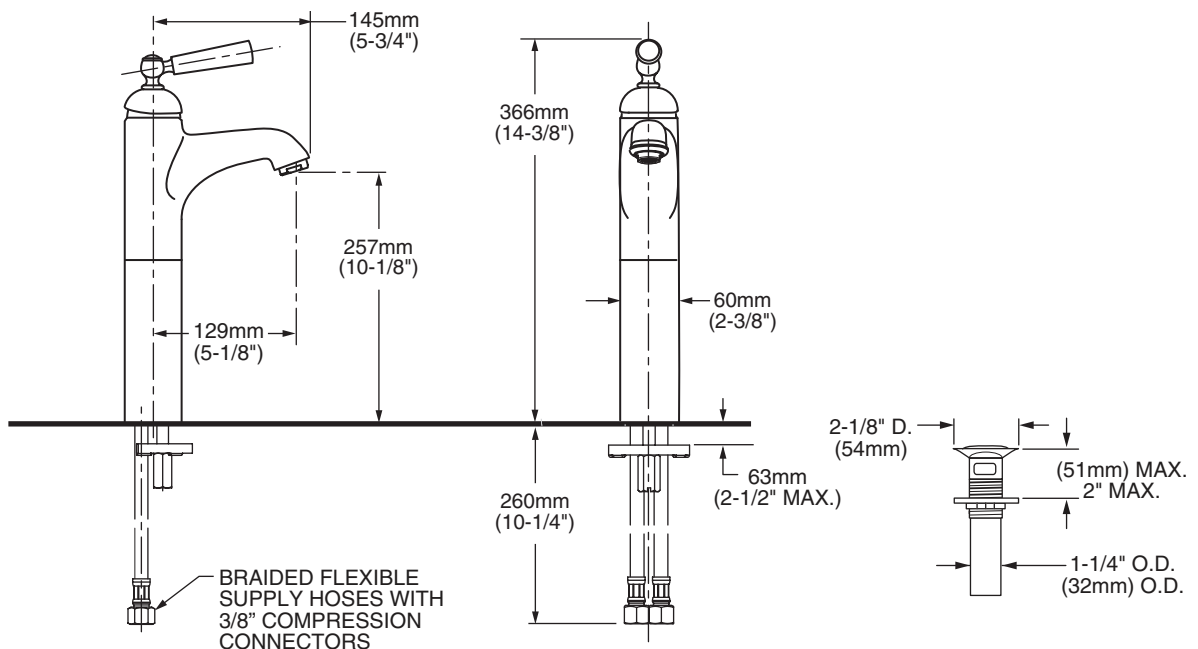




MODEL NUMBER:

- ☐ **4962.151 Single Control Vessel Faucet**
Grid drain.
- ☐ **4962.150 Single Control Vessel Faucet**
Less drain.



GENERAL DESCRIPTION:

Cast brass body. Metal lever handle. Washerless 47mm ceramic disc valve cartridge with integral hot limit safety stop. 10-1/4" (260mm) long, 3/8" O.D. flexible supplies with 3/8" compression fittings. All metal grid drain (on applicable model). 2.2 gpm/8.3L/min. maximum flow rate.

PRODUCT FEATURES:

- Cast Brass Construction:** Durable. Easy to clean, seamless design. Ideal for prolonged contact with water.
- Ceramic Disc Valve Cartridge:** Assures a lifetime of smooth handle operation and drip-free performance.
- Adjustable Hot Limit Safety Stop:** Limits the amount of hot water allowed to mix with cold. Reduces the risk of accidental scalding.
- Low Lead:** Meets NSF Standard 61/Section 9 & Prop 65 lead requirements.
- Choice of Finishes:** Available in Polished Chrome or Satin Nickel (PVD).

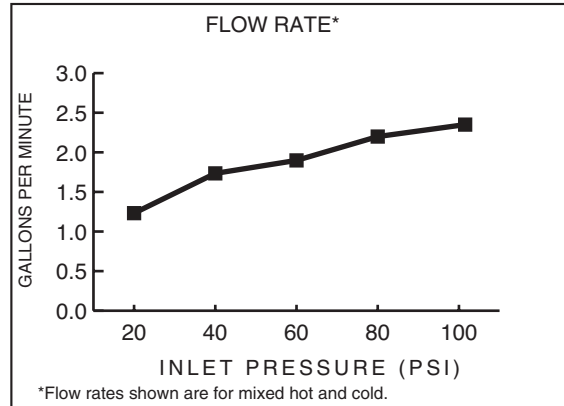
SUGGESTED SPECIFICATION:

Single control lavatory faucet shall feature a cast brass body and metal lever handle. Fitting shall be equipped with braided flexible supplies with 3/8" compression fittings. Shall also feature washerless ceramic disc valve cartridge with integral hot limit safety stop. Fitting shall be American Standard Model # 4962.____.


CODES AND STANDARDS

These products meet or exceed the following codes and standards:

- ANSI A117.1**
- ASME A112.18.1**
- CSA B 125**
- NSF 61/Section 9**



Product Number	Description	Finish Options	
		Polished Chrome	PVD Satin Nickel
		002	295
4962.151	Single Control Vessel Faucet with grid drain.		
4962.150	Single Control Vessel Faucet less drain.		

 Meets the American Disabilities Act Guidelines and **ANSI A117.1** Requirements for the physically challenged.