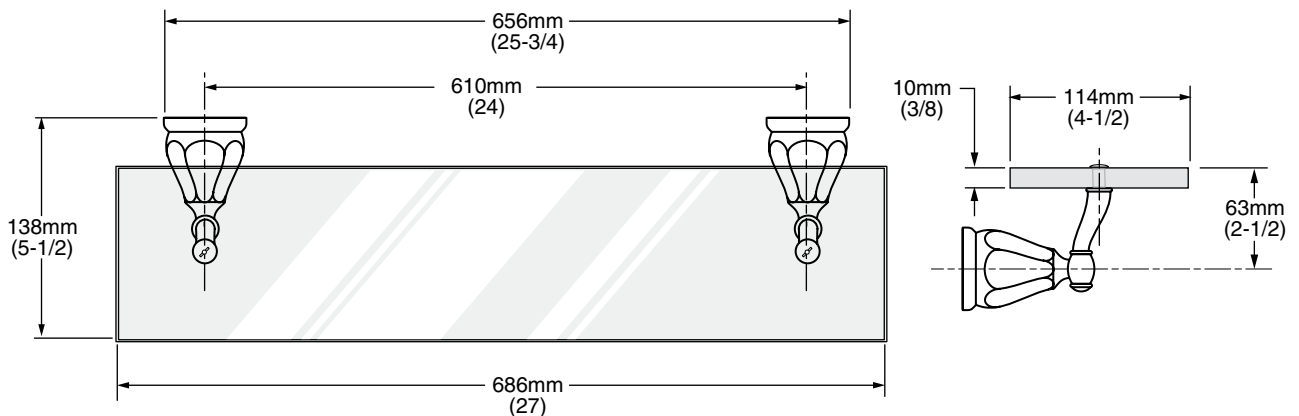


**MODEL NUMBER:**

■ 6028.024 24" Glass Shelf

**Available Finishes**

.002	Polished Chrome
.068	PVD Blackened Bronze
.295	Satin Nickel



**PRODUCT FEATURES:**

**Heavy Duty Construction:** Highest quality materials for durability & long life.

**Concealed Mounting:** No exposed set screws.

**Materials of Construction:** Body and escutcheon - zinc. Shelf - clear tempered glass.

**Easy to Install.**

**Durability of Finishes:** Chrome and PVD finishes will never tarnish.

**SUGGESTED SPECIFICATION:**

24" Glass Shelf shall feature heavy - duty construction. Shall feature concealed mounting with no exposed set screws. Glass shelf shall be clear tempered glass. Shall be American Standard Model # 6028.024.\_\_\_\_\_.