

SILHOUETTE™ 18" ISLAND SINK

- Americast® brand engineered material
- Single bowl design
- Titanium enamel - heat resistant up to 1000°
- Acid-resisting glossy porcelain finish
- Top mount or undercounter installation
- Silicone sealant supplied
- Available in 1 or 3 faucet hole configuration
- Customized hole punchings available (see page G56)

Top Mount/Undercounter:

- 7185.001 Center hole only
- 7185.803 3 hole

Under Counter Installation Order:

- 791326-100 Mounting Kit (consists of cut-out templates and mounting clips)

Nominal Dimensions:

457 x 457 x 216mm
(18" x 18" x 8-1/2")

Bowl sizes:

375mm (14-3/4") wide
375mm (14-3/4") front to back
203mm (8") deep

Compliance Certifications -

Meets or Exceeds the Following Specifications:

- ASME A112.19.4M for Americast Plumbing Fixtures
- ASTM E162 for Flammability
- NFPA 258 for Smoke Density

To Be Specified:

- Color:
- Faucet*:
- Faucet Finish:
- Basket Strainer: 4331.013
- Soap Dispenser: 4503.115, Color:
- Trap:

Optional Accessories:

- Small Wood Cutting Board: 9000.185
- Colander for Cutting Board: 8102.100, Color:

* See faucet section for available models



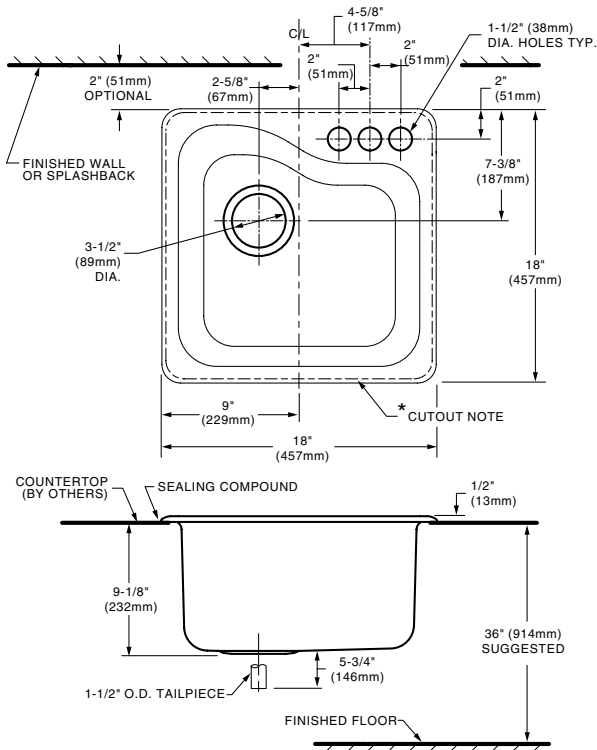
Top Mount Installation (faucet not included)



Undercounter Mount Installation
(faucet not included)

SEE REVERSE SIDE FOR ROUGHING-IN DIMENSIONS

7185.803/823 Top Mount



NOTES:

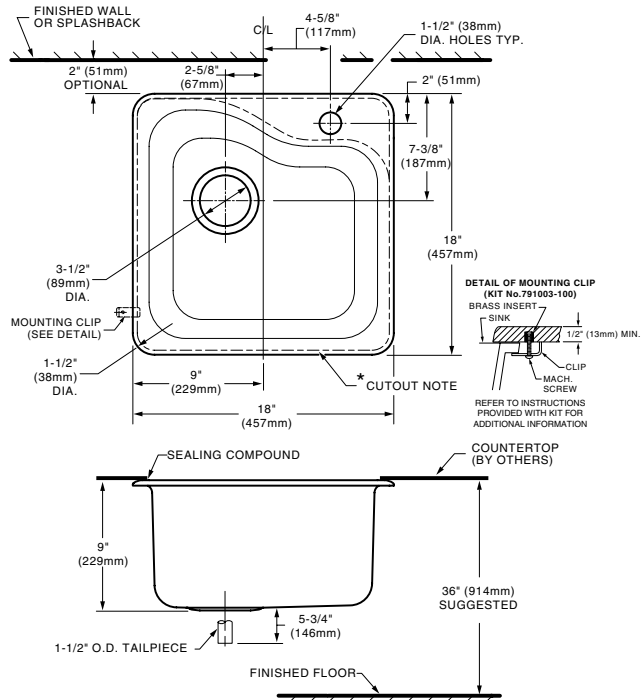
* **TOP MOUNT (7185.803):** COUNTERTOP CUTOUT 425mm x 425mm WITH 25mm RADIUS (16-3/4 X 16-3/4 WITH 1" RAD.) AT CORNERS.

FITTINGS NOT INCLUDED AND MUST BE ORDERED SEPARATELY.

PROVIDE SUITABLE REINFORCEMENT FOR ALL WALL AND COUNTERTOP SUPPORTS.

IMPORTANT: Dimensions of fixtures are nominal and may vary within the range of tolerances established by ASME Standard A112.19.4 These measurements are subject to change or cancellation. No responsibility is assumed for use of superseded or voided leaflet.

Undercounter Mount



NOTES:

* **TEMPLATE PROVIDED WITH MOUNTING KIT 791326-100 FOR EXPOSED FAUCET DECK OR UNDERCOUNTER FAUCET DECK COUNTERTOP CUTOUT VARIATIONS.**

FITTINGS AND UNDERCOUNTER MOUNTING KIT NOT INCLUDED AND MUST BE ORDERED SEPARATELY.

PROVIDE SUITABLE REINFORCEMENT FOR ALL WALL AND COUNTERTOP SUPPORTS.

IMPORTANT: Dimensions of fixtures are nominal and may vary within the range of tolerances established by ASME Standard A112.19.4 These measurements are subject to change or cancellation. No responsibility is assumed for use of superseded or voided leaflet.