

COLONY 5'TM WHIRLPOOL AND BATHING POOL

- 2675.018 Whirlpool featuring System I:**
 - Acrylic with fiberglass reinforcement
 - Dual, molded-in armrests at lumbar area
 - 1.25 HP single speed, self-draining pump/motor with dry run seal
 - Factory installed power cord with plug
 - Six multi-directional and individually flow-rate adjustable color-coordinated jets
 - Deck-mounted, color-coordinated air switch On/Off control
 - Single, color-coordinated air volume control
 - Factory installed and tested whirlpool system

- 2675.018C EverClean® Whirlpool Featuring System I:**
 - Same as 2675.018 except with the EverClean System

- 2675.002 Bathing Pool**
 - Same as above without whirlpool system

Nominal Dimensions:

1524 x 832 x 502mm
(5' x 32-3/4" x 19-3/4")

Compliance Certifications -

Meets or Exceeds the Following Specifications:

- Underwriters Laboratories - Hydromassage Bathtubs UL 1795
- ASME A112.19.7M for Whirlpool Appliances
- ANSI Z124.1 for Plastic Bathtubs
- ASTM E162 for Flammability
- NFPA 258 for Smoke Density

American Standard whirlpools and air baths with EverClean® incorporate a patented silver-ion additive right into the circulation piping to protect the pipes from mold, mildew, algae and fungus that could cause deterioration or staining of the pipes.

SEE REVERSE FOR PRODUCT DIMENSIONS AND SPECIFICATIONS



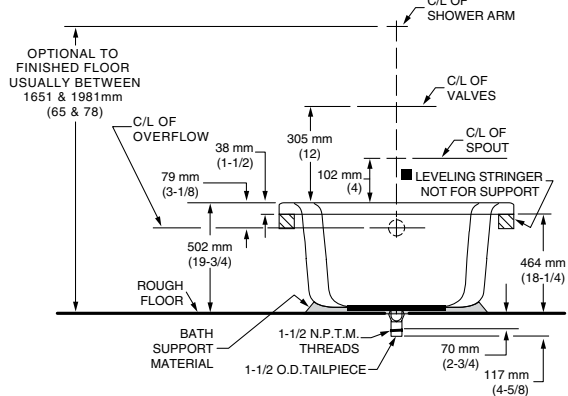
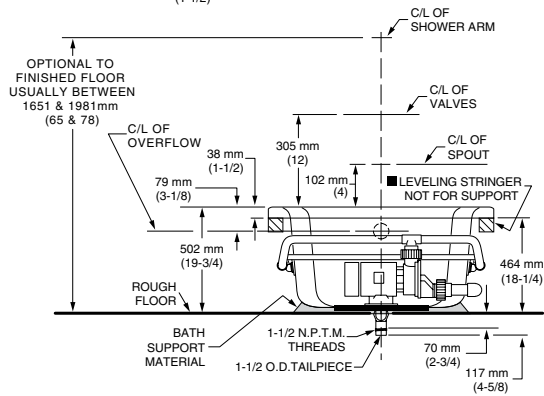
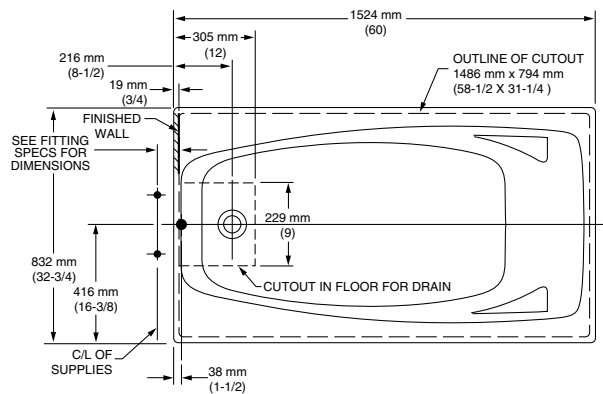
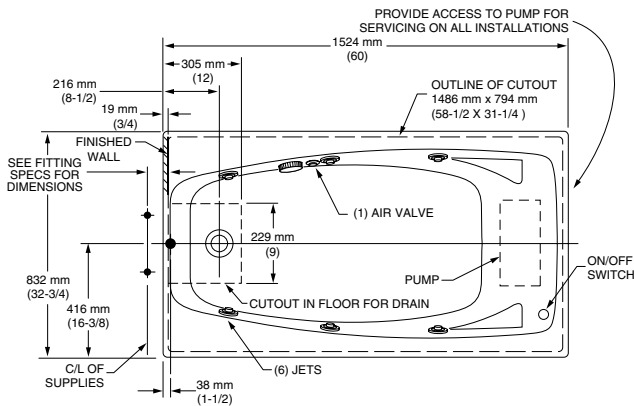
To Be Specified - Required:

- Color:
- Bath Faucet: (specify finish)
- Bath Drain: 1583.470 (specify finish)

To Be Specified - Optional:

- 5 Foot Acrylic Apron: 9260.018 (specify color)
- 5 Foot Apron: 9360.018 (specify color)
- Grab Bar Kit: 9822.200-two per kit (specify finish)
- Jet Trim Ring Kit: 9860.200-two per kit (specify finish) for Body Massage Jets only
- Universal Tile Bead Kit: 751755-100

For color/finish availability and other faucet choices, please see the Product Selector and Pricing Guide.



GENERAL SPECIFICATIONS FOR 2675 WHIRLPOOL

INSTALLED SIZE	60 x 32-3/4 x 19-3/4 In. (1524 x 832 x 502mm)
WEIGHT	95 Lbs. (43 Kg.)
WEIGHT w/WATER	604 Lbs. (275 Kg.)
GAL. TO OVERFLOW	61 Gal. (230 L.)
WHIRLPOOL MIN. OPERATING VOL.	42 Gal. (159 L.)
BATHING WELL AT SUMP	20 x 39 In. (508 x 991mm)
BATHING WELL AT RIM	27-1/2 x 56 In. (699 x 1422mm)
WATER DEPTH TO OVERFLOW	14-1/4 In. (362mm)
FLOOR LOADING (PROJECTED AREA)	44 Lbs./Sq. Ft. (213 Kgs/Sq. m.)
PTS.	15.6
CUBE (FT ³)	29.6

WHIRLPOOL ELECTRICAL SPECIFICATIONS

SYSTEM I PUMP _____ 1.25 HP, 9.9 AMPS, 120V.

GENERAL SPECIFICATIONS FOR 2675 BATHING POOL

INSTALLED SIZE	60 x 32-3/4 x 19-3/4 In. (1524mm x 832 mm x 502mm)
WEIGHT	70 Lbs. (32 Kg.)
WEIGHT w/WATER	579 Lbs. (261 Kg.)
GAL. TO OVERFLOW	61 Gal. (230 L.)
BATHING WELL AT SUMP	20 x 39 In. (508 mm x 991mm)
BATHING WELL AT RIM	27-1/2 x 56 In. (699 mm x 1422mm)
WATER DEPTH TO OVERFLOW	14-1/4 In. (362mm)
FLOOR LOADING (PROJECTED AREA)	42 Lbs./Sq. Ft. (202 Kgs/Sq. m.)
PTS.	15.6
CUBE (FT ³)	29.6

NOTES:

BATH CAN BE INSTALLED EITHER ABOVE OR BELOW FLOOR LINE AS PIER, ISLAND, OR PENINSULA TYPE INSTALLATION. SUPPORT OF BATH BY SUMP BEDDING. SUPPORT AND ENCLOSING MATERIAL BY OTHERS.

■ REFER TO INSTALLATION INSTRUCTIONS SUPPLIED WITH WHIRLPOOL FOR ADDITIONAL INFORMATION.

OPTIONAL 3 WALL TILING BEAD KIT AND APRON NO. 9260.018 OR 9360.018, AND GRAB BAR KIT NO. 9822.200 AVAILABLE AND MUST BE ORDERED SEPARATELY.

FITTINGS NOT INCLUDED AND MUST BE ORDERED SEPARATELY.

PROVIDE SUITABLE REINFORCEMENT FOR ALL SUPPORTS.

IMPORTANT: Dimensions of fixtures are nominal and may vary within the range of tolerances established by ANSI Standard Z124.1. These measurements are subject to change or cancellation. No responsibility is assumed for use of superseded or voided pages.