

### NEO CORNER SHOWER BASE

#### Product Features:

- Acrylic with fiberglass reinforcement
- Corner neo-angle unit
- Textured bottom pattern
- Integral two-sided, double tiling edge with water retention flange
- Molded-in flood guard
- PVC shower drain with stainless steel drain plate

#### 4242.NEO CORNER SHOWER BASE

##### Nominal Dimensions:

1073 x 1070 x 168mm  
(42-1/4" x 42-1/8" x 6-5/8")

#### 3838.NEO CORNER SHOWER BASE

##### Nominal Dimensions:

968 x 967 x 168mm  
(38-1/8" x 38-1/16" x 6-5/8")

#### 3636.NEO CORNER SHOWER BASE

##### Nominal Dimensions:

921 x 918 x 168mm  
(36-1/4" x 36-1/8" x 6-5/8")

#### Compliance Certifications -

##### Meets or Exceeds the Following Specifications:

- ANSI Z124.2 for Plastic Showers
- ASTM E162 for Surface Flammability
- NFPA 258 for Smoke Density



SEE REVERSE SIDE FOR ROUGHING-IN DIMENSIONS  
AND PRODUCT SPECIFICATIONS

#### To Be Specified - Required:

- Color: (specify American Standard fixture color)

#### To Be Specified - Optional:

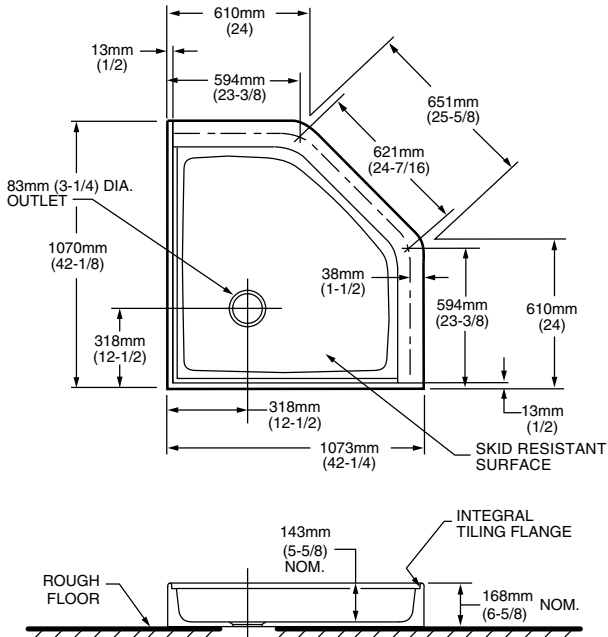
- Metal Drain Plate:
  - 751819-099 in Polished Brass
  - or
  - 751819-295 in Satin Nickel

#### NOTES:

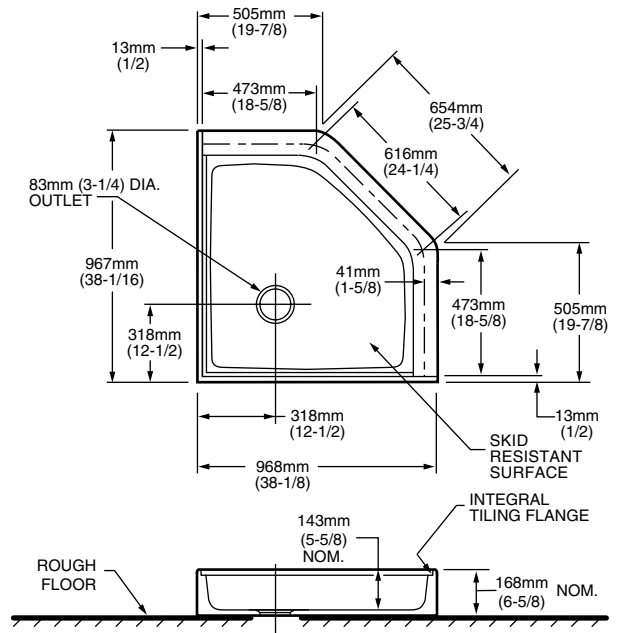
REFER TO INSTALLATION INSTRUCTIONS SUPPLIED WITH SHOWER BASE FOR ADDITIONAL INFORMATION.

**IMPORTANT:** Dimensions of fixtures are nominal and may vary within the range of tolerances established by ANSI Standard Z124.1 / CSA. These measurements are subject to change or cancellation. No responsibility is assumed for use of superseded or voided pages.

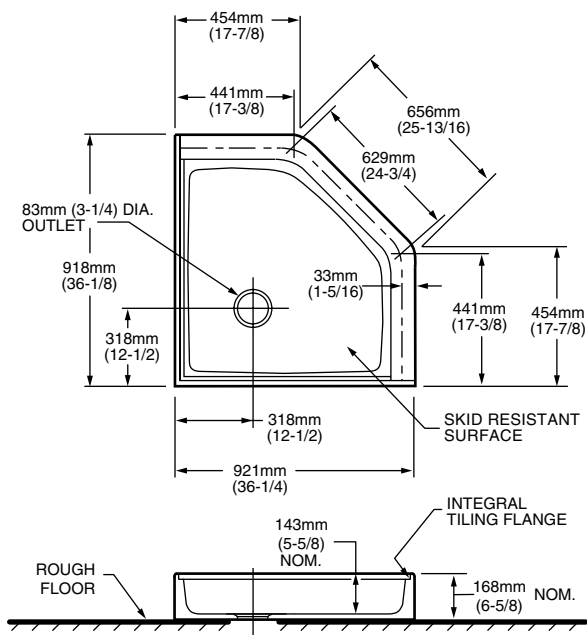
**4242.NEO**



**3838.NEO**



**3636.NEO**



GENERAL SPECIFICATIONS FOR 4242.NEO SHOWER BASE	
INSTALLED SIZE	1073mm X 1070mm X 168mm (42-1/4 X 42-1/8 X 6-5/8 IN.)
WEIGHT	31 Kg. (68 LBS.)
WEIGHT w/WATER	129 Kg. (285 LBS.)
SHOWER WELL AT SUMP	826mm X 826mm (32-1/2 X 32-1/2 IN.)
SHOWER WELL AT RIM	914mm X 914mm (36 X 36 IN.)
FLOOR LOADING (PROJECTED AREA)	124 Kgs/Sq. m. (25 LBS./SQ. FT.)

GENERAL SPECIFICATIONS FOR 3838.NEO SHOWER BASE	
INSTALLED SIZE	968mm X 967mm X 168mm (38-1/8 X 38-1/16 X 6-5/8 IN.)
WEIGHT	25 Kg. (54 LBS.)
WEIGHT w/WATER	74 Kg. (162 LBS.)
SHOWER WELL AT SUMP	762mm X 762mm (30 X 30 IN.)
SHOWER WELL AT RIM	826mm X 826mm (32-1/2 X 32-1/2 IN.)
FLOOR LOADING (PROJECTED AREA)	89 Kgs/Sq. m. (18 LBS./SQ. FT.)

GENERAL SPECIFICATIONS FOR 3636.NEO SHOWER BASE	
INSTALLED SIZE	921 x 918 x 168mm (36-1/4" x 36-1/8" x 6-5/8")
WEIGHT	30 Kg. (66 LBS.)
WEIGHT w/WATER	70 Kg. (156 LBS.)
SHOWER WELL AT SUMP	727mm X 727mm (28-5/8 X 28-5/8 IN.)
SHOWER WELL AT RIM	787mm X 787mm (31 X 31 IN.)
FLOOR LOADING (PROJECTED AREA)	83 Kgs/Sq. m. (17 LBS./SQ. FT.)