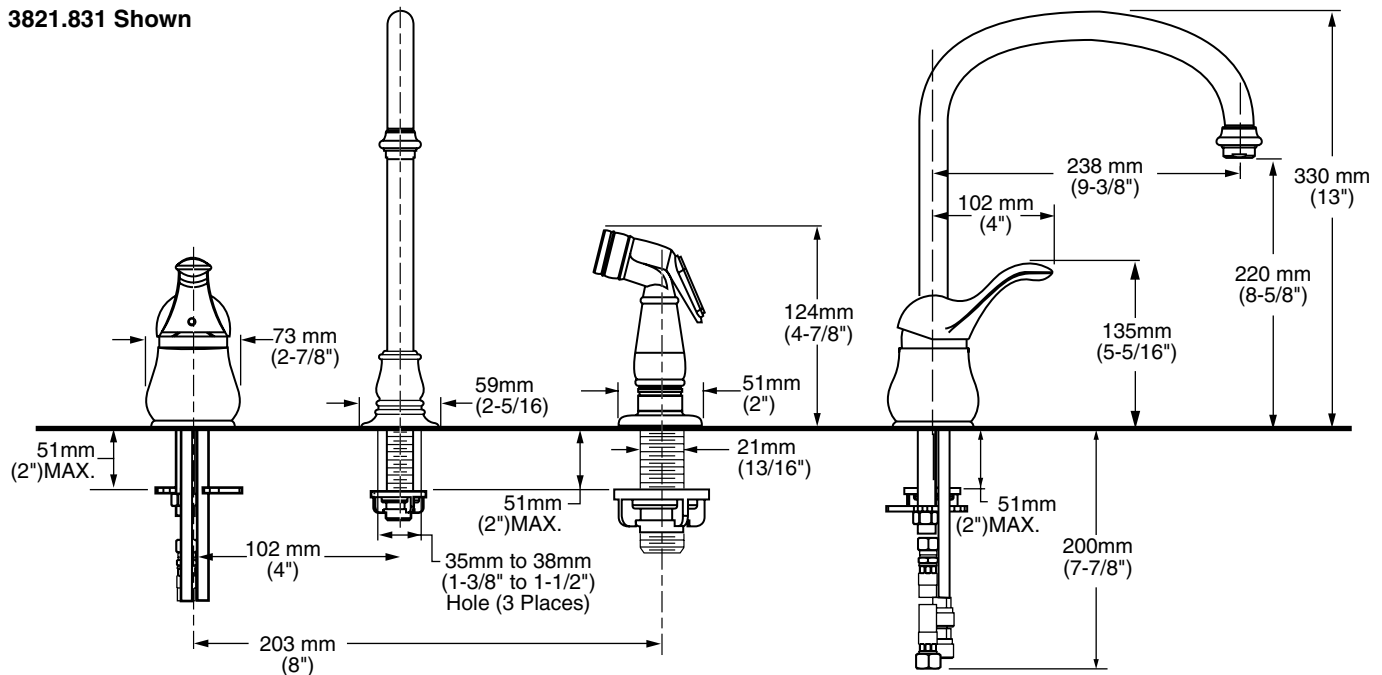


**3821.831 Shown**

**MODEL NUMBER:**

- 3821.831 Kitchen Faucet With Hi-Flow Spout**  
Color-matched Handspray. 3/8" O.D. copper inlets.
- 3821.834 Kitchen Faucet With Hi-Flow Spout**  
Color-matched handspray. 1/2" male threaded connectors and nuts.



**GENERAL DESCRIPTION:**

Brass body with metal lever handle and 22mm (7/8") diameter Hi-Flow brass swivel spout (13" high with 8-5/8" clearance). Washerless 47mm ceramic disc valve cartridge with integral hot limit safety stop. Choice of 3/8" O.D. copper inlets or copper supplies with 1/2" male threaded connectors and nuts. 2.2gpm/8.3L/min. maximum flow rate. Color-matched handspray. Cap provided for less spray application. Flexible hose connections allow for variation in placement of handle, spout and spray.

**PRODUCT FEATURES:**

- Ceramic Disc Valve Cartridge:** Assures a lifetime of drip-free performance.
- Brass and Copper Waterway:** Highest quality faucet materials for durability & long life.
- Memory Position Valving:** Allows user to turn valve on and off at preferred temperature setting without readjusting handle position each time.
- Adjustable Hot Limit Safety Stop:** Limits the amount of hot water allowed to mix with cold. Reduces the risk of accidental scalding.
- Larger Spout:** Increased height, reach and diameter.
- Low Lead:** Meets NSF Standard 61/Section 9 & Prop 65 lead requirements.

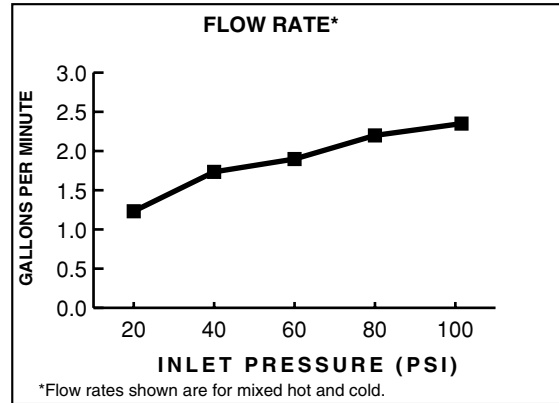
**SUGGESTED SPECIFICATION:**

Single control kitchen fitting shall feature a brass body with metal handle and brass swivel spout. Brass and copper waterways. Shall also feature washerless ceramic disc valve cartridge with integral hot limit safety stop. Fitting shall be American Standard Model # 3821. ....


**CODES AND STANDARDS**

These products meet or exceed the following codes and standards:

- ANSI A117.1**
- ASME A112.18.1**
- NSF 61/Section 9**
- CSA B125**



Product Number	Description	Finish Options					
		Polished Chrome	PVD Blackened Bronze	PVD Polished Brass	PVD Satin Nickel	PVD Satin/Brass mix	Chrome /PVD Brass mix
		002	068	099	295	297	299
3821.831	Kitchen Faucet. Handspray. 3/8" O.D. copper inlets.						
3821.834	Kitchen Faucet. 1/2" male threaded connectors and nuts.						

 Meets the American Disabilities Act Guidelines and **ANSI A117.1** Requirements for the physically challenged.