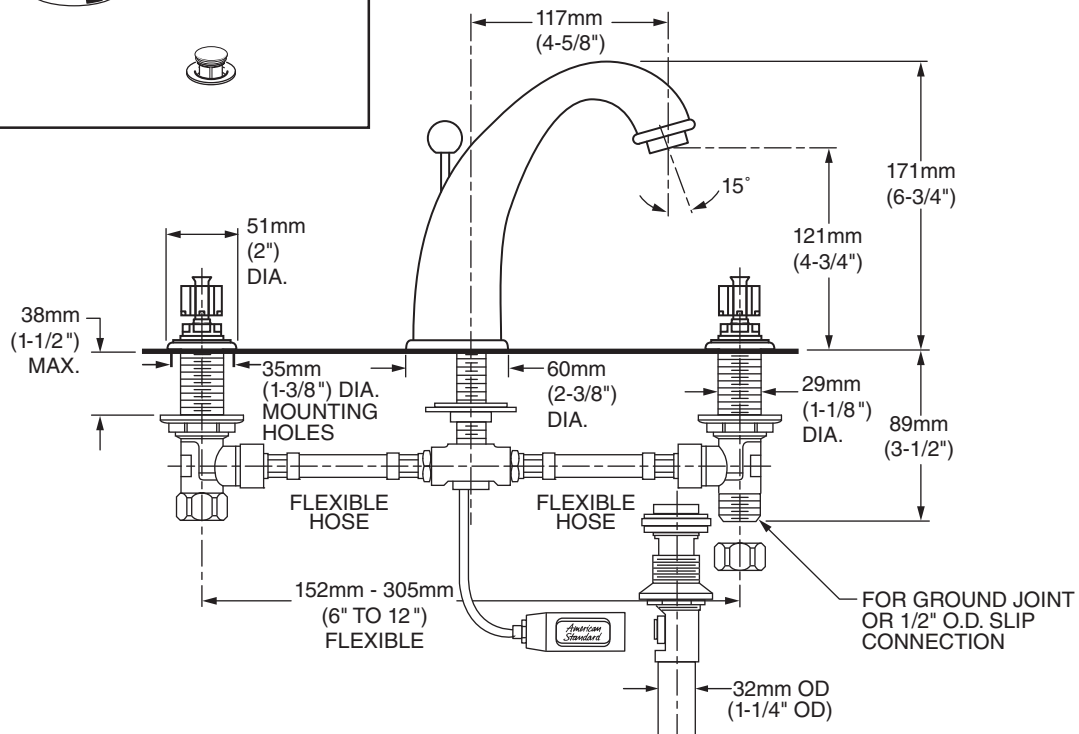




MODEL NUMBER:

- ☐ 3841.000 Widespread Lavatory
Pop-up drain. Less handles.

Handles must be ordered separately.



GENERAL DESCRIPTION:

Cast brass valve bodies with reinforced flexible hose connections for 6" to 12" (152mm to 305mm) installations. Amarilis 1/4 turn washerless ceramic disc valve cartridges that are reversible for use with either lever or cross handles. Cast brass spout. One-half inch male inlets with brass coupling nuts. Brass mounting nuts. 20 inch (500mm) long flexible stainless steel drain cable is pre-assembled to spout. Metal Speed Connect® drain body with 1-1/4 inch (32mm) tail piece. 1.5 gpm/5.7L/min. maximum flow rate.

PRODUCT FEATURES:

- Brass Construction:** Durable. Ideal for prolonged contact with water. Provides the finest surface for application of all finishes.
- Ceramic Disc Valve Cartridges:** Assures a lifetime of drip-free performance.
- Lead Free:** Faucet contains ≤ 0.25% total lead content by weighted average.
- Flex Set Packaging:** Full range of interchangeable handle styles.
- Exclusive Speed Connect Metal Drain:**
 - Fewer parts. Installs in less time.
 - No adjustments required - seals the first time, every time.
 - Flexible stainless steel cable - installs effortlessly in tight spaces.
- Choice of Finishes:** Wide range of durable finishes.

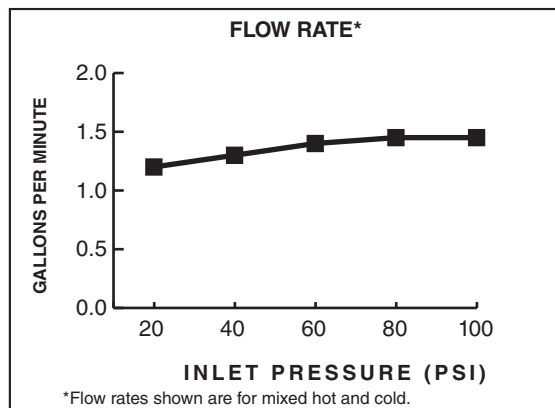
SUGGESTED SPECIFICATION:

Two handle widespread lavatory faucet shall feature cast brass valve bodies with reinforced flexible hose connections for 6" to 12" installations. Shall feature all brass mounting nuts and coupling nuts. Shall also feature 1/4 turn washerless ceramic disc valve cartridges that are reversible for use with cross or lever handles. Shall also feature a metal drain body with stainless steel cable actuation. Fitting shall be American Standard Model # 3841.000.____ and handle kit # 0000.____.

CODES AND STANDARDS

These products meet or exceed the following codes and standards:

- ASME A112.18.1
- CSA B 125
- NSF 61/Section 9 and Annex G



Product Number	Description	Finish Options	
		Polished Chrome	PVD Satin Nickel
		002	295
3841.000	Lavatory faucet. Metal Speed Connect® Pop-up drain. Less handles.		

Handles must be ordered separately.

To order **Less Handles** - Specify: 4 digit Style number followed by three zeros and 3 digit finish number.

Example 3801.000.002 = Lavatory faucet with pop-up drain in Polished Chrome finish.

The above fittings will accept the following Amaris-Series handles.

Metal Lever	Perfume Bottle	Metal Lever
442	432	542

Meets the American Disabilities Act Guidelines and **ANSI A117.1** Requirements for the physically challenged.