

American Standard

WYNSTON KITCHEN FAUCETS

Installation Instructions 4462F 4464F

*Thank you for selecting American-Standard...
the benchmark of fine quality for over 100 years.*

*To ensure that your installation proceeds smoothly...
please read these instructions carefully before you begin.*



Certified to comply with ASME A112.18.1M
M968681

RECOMMENDED TOOLS



Channel Locks



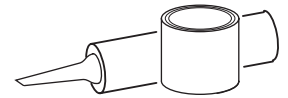
Flat Blade Screwdriver



Phillips Screwdriver



Adjustable Wrench

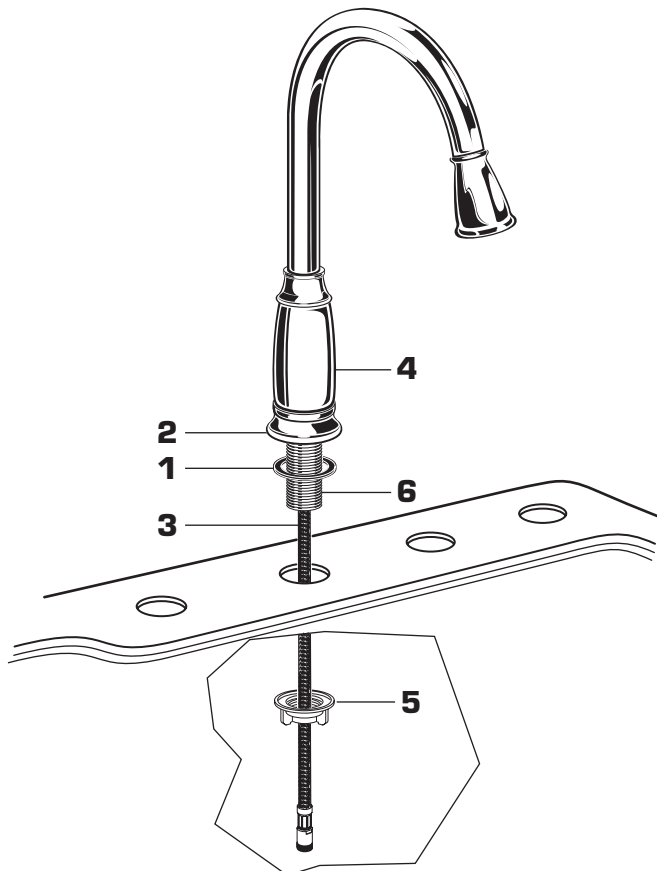


Plumbers' Putty or Caulking

1 INSTALL FAUCET

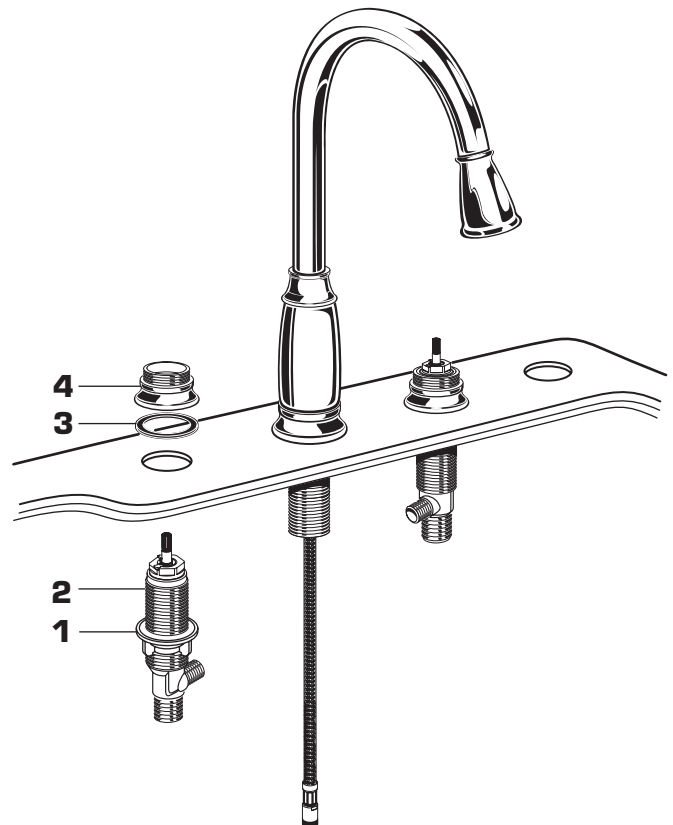
CAUTION Turn off hot and cold water supplies before beginning.

- Place SEAL RING (1) into SPOUT ESCUTCHEON (2).
- Insert HOSE (3) and SPOUT (4) through hole in top of sink or mounting surface.
- From under sink install and LOCKNUT (5) onto SPOUT SHANK (6). Center SPOUT (4) and tighten LOCKNUT (5) to secure SPOUT (4).



2 INSTALL VALVE BODIES

- Install LOCK NUT (1) onto VALVE BODIES (2). Insert VALVE BODY (2) through hole from underside of sink or mounting surface.
- Place RUBBER RING (3) into ESCUTCHEON (4). Thread ESCUTCHEON (4) onto VALVE BODY (2) until snug against internal stop.
- From under sink or mounting surface, tighten LOCK NUT (1) to secure VALVE BODY (2).



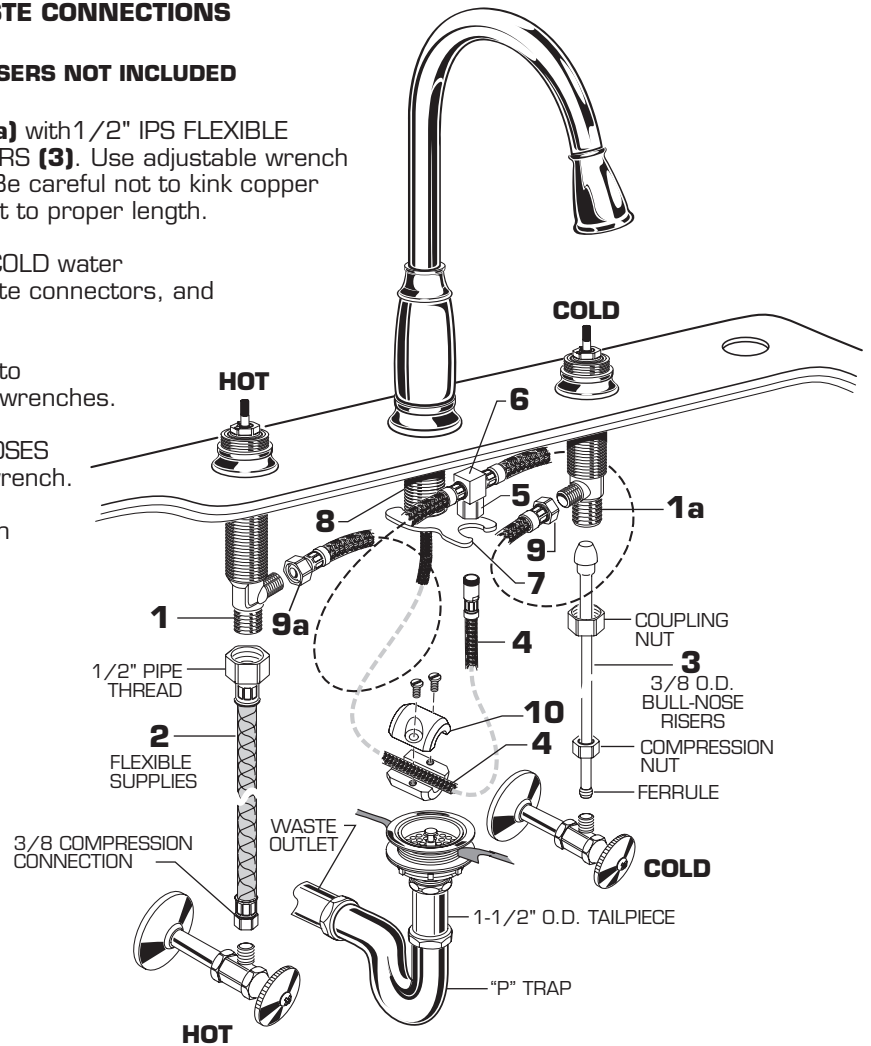
3 WATER SUPPLY, TEE, SPOUT AND WASTE CONNECTIONS

NOTE: FLEXIBLE SUPPLIES OR BULL-NOSE RISERS NOT INCLUDED AND MUST BE PURCHASED SEPARATELY.

- Connect water supply to VALVE BODIES (1, 1a) with 1/2" IPS FLEXIBLE SUPPLIES (2) or 3/8" O.D. BULL-NOSE RISERS (3). Use adjustable wrench to tighten connections. Do not over tighten. Be careful not to kink copper supply when bending. Use tubing cutter to cut to proper length.
- Connect HOT water supply to left STOP and COLD water supply to right STOP using sealant, appropriate connectors, and COUPLING NUTS.
- Connect male thread of PULL-OUT HOSE (4) to COUPLING NUT (5) on TEE (6). Tighten with wrenches.
- Thread COUPLING NUTS (9, 9a) on TEE HOSES to valve body inlets. Tighten with adjustable wrench.
- Snap small end of HOSE HOLDER (7) between TEE (6) and COUPLING NUT (5). Then snap HOSE HOLDER (7) to SHANK (8).
- Connect 1-1/2" O.D. tailpiece to DRAIN waste outlet.

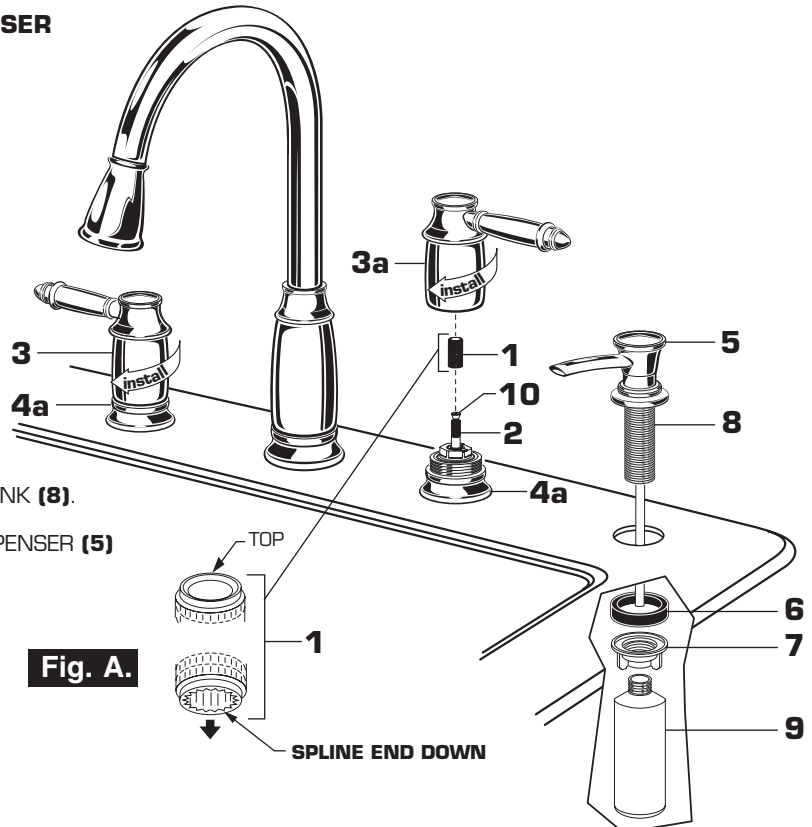
INSTALL WEIGHTS

- Attach WEIGHTS (10) at bottom of loop on Hose (4) as shown.



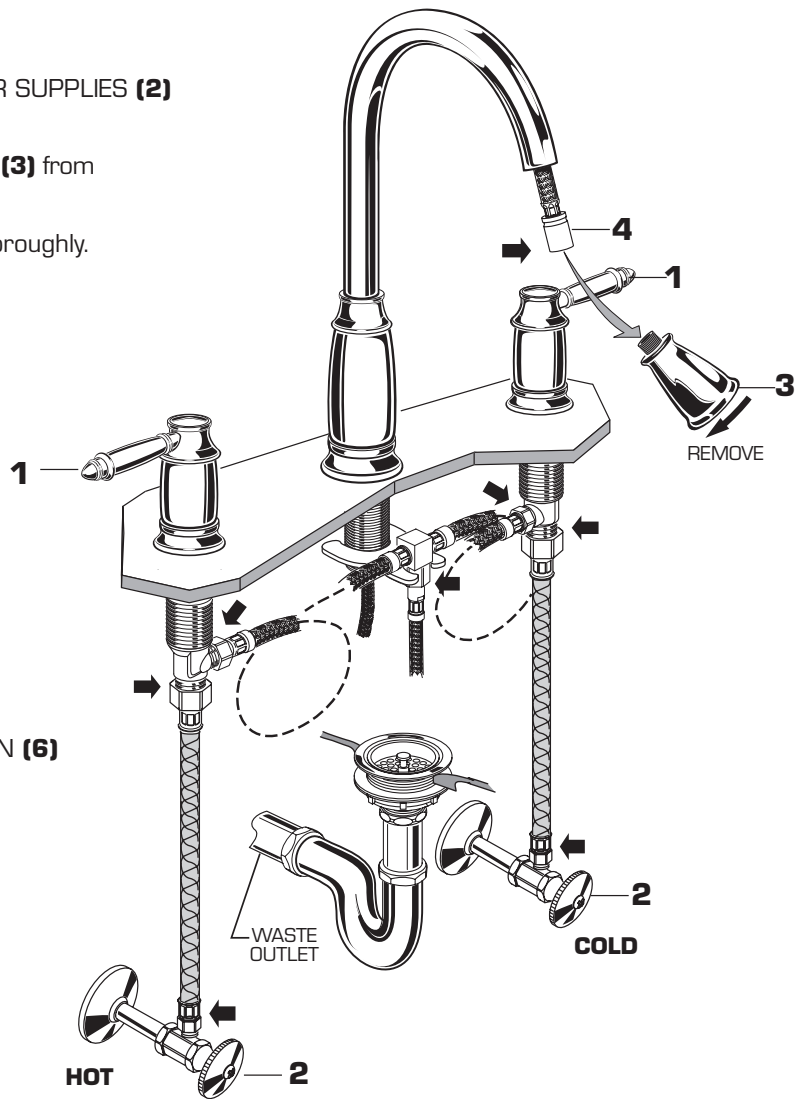
4 INSTALL HANDLES AND SOAP DISPENSER

- Push ADAPTERS (1) on VALVE STEMS (2), so that the hole of the ADAPTER (1) without a spline is facing up. **Fig. A.** Tighten STEM SCREW (10) to secure ADAPTER (1).
- Thread HANDLE BASE (3, 3a) clock-wise until tight against ESCUTCHEON (4, 4a).
- Install SOAP DISPENSER (5) into separate hole of sink or mounting surface. From underside of mounting surface install RUBBER SPACER (6) and MOUNTING NUT (7) onto DISPENSER SHANK (8).
- Hand tighten NUT (7).
- Thread PLASTIC BOTTLE (9) into DISPENSER SHANK (8).
- To fill PLASTIC BOTTLE (9), pull out the SOAP DISPENSER (5) and fill from the top.



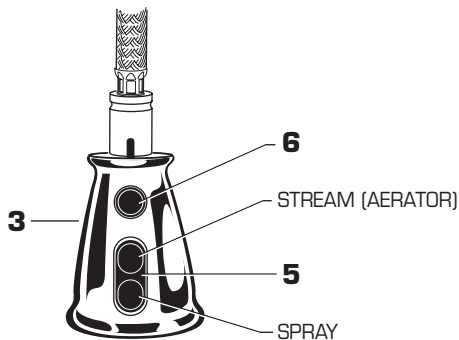
5 TEST INSTALLED FAUCET

- With HANDLES (1) in OFF position, turn on WATER SUPPLIES (2) and check all connections for leaks. ➡
- With HANDLES (1) in "off" position, unthread SPRAY (3) from HOSE END (4).
- Operate both HANDLES (1) to flush water lines thoroughly.
- Replace SPRAY (3) into HOSE END (4).



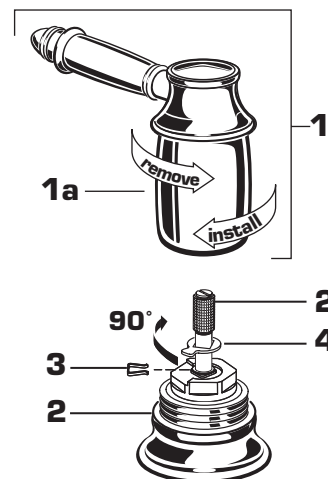
5a SPRAY OPERATION

- With FAUCET on press TOGGLE BUTTON (5) on SPRAY (3) to switch from stream to spray.
- Press and hold PAUSE BUTTON (6) to temporarily stop flow from SPRAY (3). Release PAUSE BUTTON (6) to resume flow from SPRAY (3).



6 SERVICE To change direction of handle:

- Turn valve to OFF position
- Thread HANDLE BASE (1a) counter clock-wise until loose.
- Pull HANDLE (1) "UP" firmly to release from ADAPTER (2).
- Remove SPRING CLIP (3). Lift STOP WASHER (4), turn 90° and replace. Replace SPRING CLIP (3).
- Re-install HANDLE ASSEMBLY (1).
- If spout drips, operate handles several times from OFF to ON position. Do not force - handles turn only 90°.



7 CARE INSTRUCTIONS:

DO: SIMPLY RINSE THE PRODUCT CLEAN WITH CLEAR WATER. DRY WITH A SOFT COTTON FLANNEL CLOTH.

DO NOT: DO NOT CLEAN THE PRODUCT WITH SOAPS, ACID, POLISH, ABRASIVES, HARSH CLEANERS, OR A CLOTH WITH A COARSE SURFACE.