

American Standard

AMARILIS™

LEXINGTON HANDLES

with EverClean™ Finish

Congratulations on purchasing your American Standard faucet with EverClean finish found only on American Standard faucets.

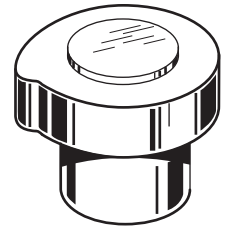
EverClean Finish

- One wipe effortlessly removes spots
- Eliminates the need for cleaners and scrubbing
- Permanent surface protectant remains beautiful for the life of the faucet
- EverClean™ available on: Polished Chrome, Satin Nickel, Stainless Steel, Polished Brass (or any combination of these finishes)

To ensure that your installation proceeds smoothly—please read these instructions carefully before you begin.

Installation Instructions

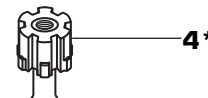
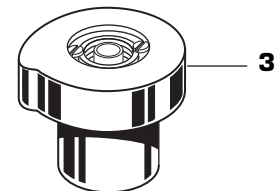
0000.902
0000.903
0000.912
0000.913



M968912

1 INSTALLATION

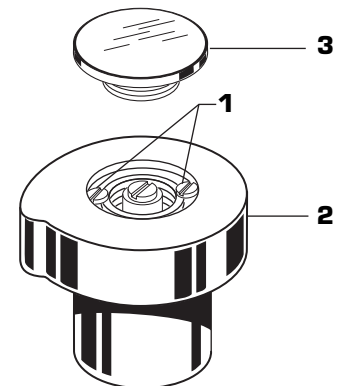
- Turn valve to "off" position.
- Remove HANDLE SCREW (1) from adapter, (do not discard).
- Unscrew CAP (2) from HANDLE (3). Push HANDLE (3) onto HANDLE ADAPTER (4).
- Install HANDLE SCREW (1) and tighten to secure HANDLE (3) to valve.



* WITH EXISTING FITTING

2 POSITION HANDLE RING

- Loosen ADJUSTING SCREWS (1) with small screwdriver and orient HANDLE RING (2) to desired position. Tighten ADJUSTING SCREWS (1).
- Thread HANDLE CAP (3) into HANDLE RING (2).



EverClean™ Finish Care Instructions

American Standard's EverClean finish will wipe clean with a soft, dry cloth. A soft cloth with clean water may also be used, if desired. No additional cleaning products are required.

DO NOT USE: Soaps, acid, polish, abrasives, harsh cleaners, or a cloth with a coarse surface.

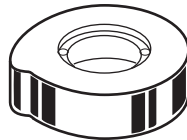
**0000.902
0000.903
0000.912
0000.913**



030455-YYY0A
HANDLE CAP



012667-0070A
ADJUSTING SCREW



030454-YYY0A
HANDLE RINGE



030453-YYY0A
HANDLE BODY

**Replace the "YYY" with
appropriate finish code**

CHROME	002
WHITE	020
POLISHED BRASS	099
SATIN NICKEL	295
SATIN/BRASS	297
CHROME/BRASS	299



HOT LINE FOR HELP

For toll-free information and answers to your questions, call:
1 (800) 442-1902

Weekdays 8:00 a.m. to 8:00 p.m. EST

IN CANADA 1-800-387-0369 (TORONTO 1-905-306-1093)

Weekdays 8:00 a.m. to 7:00 p.m. EST

IN MEXICO 01-800-839-1200

American Standard

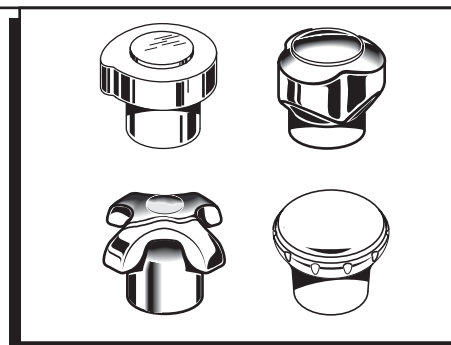
AMARILIS

HANDLE KITS

Thank you for selecting American-Standard...
the benchmark of fine quality for over 100 years.

To ensure that your installation proceeds smoothly—
please read these instructions carefully before you begin.

**Installation
Instructions**
0000.801
0000.851
0000.861
0000.901



Certified to comply with ANSI A112.18.1M
U.S. Patent Nos. D357525, D357305

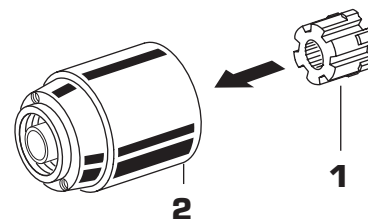
M968700 Rev. 1.2

1 INSTALLATION 0000.851/861/901

CAUTION

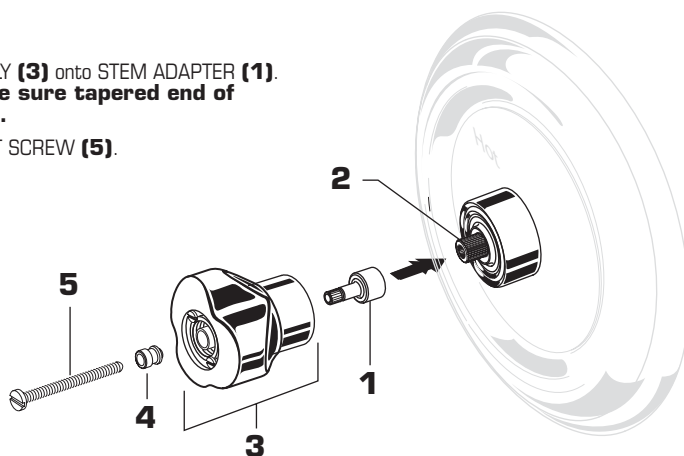
Turn off water at
main supply.

- Turn valve to clockwise to "off" position.
- Push HANDLE ADAPTER (1) into HANDLE BODY (2) until it snaps into position.



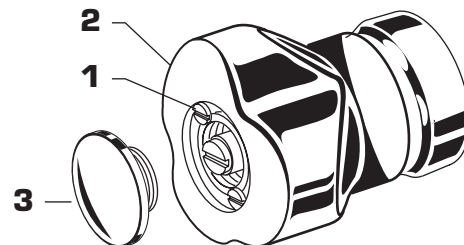
2 ATTACH HANDLE

- Install STEM ADAPTER (1) on VALVE STEM (2) and HANDLE ASSEMBLY (3) onto STEM ADAPTER (1). Assemble ADAPTER SLEEVE (4) and ATTACHMENT SCREW (5). Make sure tapered end of ADAPTER SLEEVE (5) is facing into STEM ADAPTER (1).
- Secure HANDLE ASSEMBLY (3) to VALVE STEM (2) with ATTACHMENT SCREW (5).



3 POSITION HANDLE RING (.901/.851)

- Loosen ADJUSTING SCREWS (1) with small screwdriver and orient HANDLE RING (2) to desired position. Tighten HANDLE SCREWS (1).
- For .901 AND .851 HANDLES screw HANDLE CAP (3) into HANDLE RING (2).
- For .861 HANDLE push HANDLE BUTTON into place.



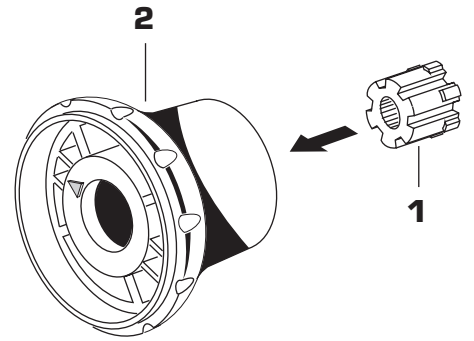
4 CARE INSTRUCTIONS:

DO: SIMPLY RINSE THE PRODUCT CLEAN WITH CLEAR WATER. DRY WITH A SOFT COTTON FLANNEL CLOTH.
DO NOT: DO NOT CLEAN THE PRODUCT WITH SOAPS, ACID, POLISH, ABRASIVES, HARSH CLEANERS, OR A CLOTH WITH A COARSE SURFACE.

1 INSTALLATION (0000.801)

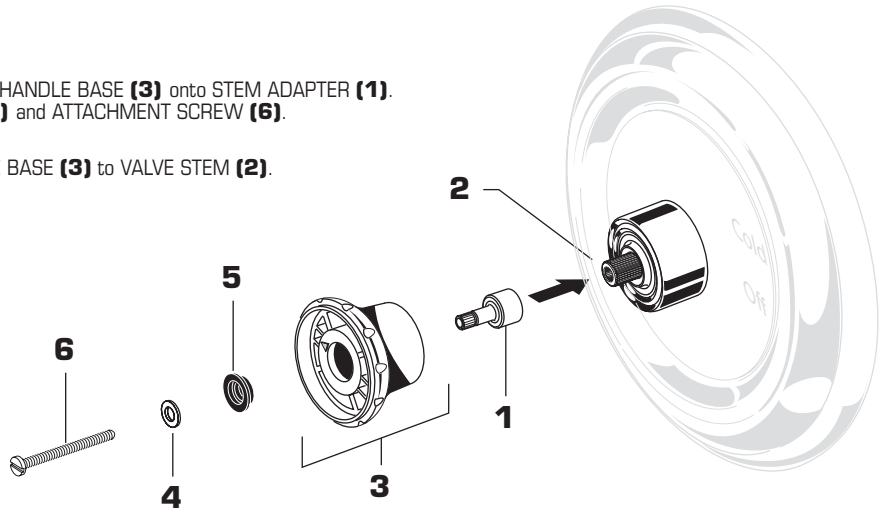
CAUTION Turn off water at main supply.

- Turn valve to clockwise "off" position.
- Push HANDLE ADAPTER (1) into HANDLE BODY (2) until it snaps into position.



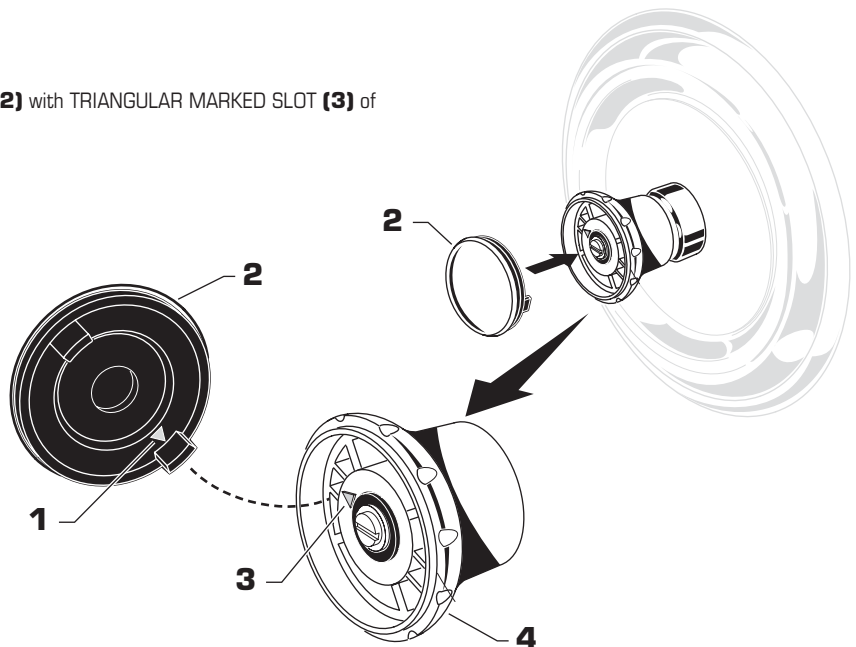
2 ATTACH HANDLE

- Install STEM ADAPTER (1) on VALVE STEM (2) and HANDLE BASE (3) onto STEM ADAPTER (1). Assemble SMALL WASHER (4), LARGE WASHER (5) and ATTACHMENT SCREW (6).
- Tighten ATTACHMENT SCREW (6) to secure HANDLE BASE (3) to VALVE STEM (2).



3 INSTALL INSERT

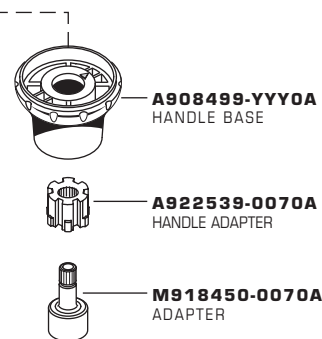
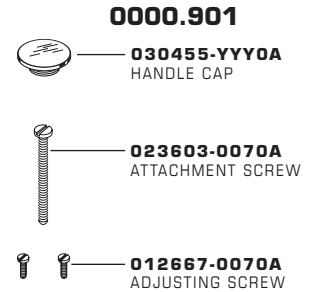
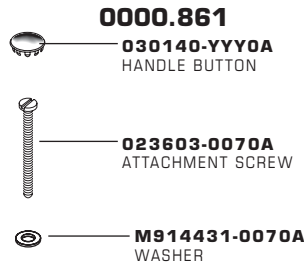
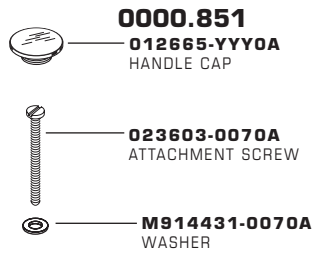
- Align TRIANGULAR INDEXING MARK (1) on INSERT (2) with TRIANGULAR MARKED SLOT (3) of HANDLE BASE (4).
- Press in INSERT (2).



4 CARE INSTRUCTIONS:

DO: SIMPLY RINSE THE PRODUCT CLEAN WITH CLEAR WATER. DRY WITH A SOFT COTTON FLANNEL CLOTH.
DO NOT: DO NOT CLEAN THE PRODUCT WITH SOAPS, ACID, POLISH, ABRASIVES, HARSH CLEANERS, OR A CLOTH WITH A COARSE SURFACE.

**0000.801
0000.851
0000.861
0000.901**



Replace the "YYY" with appropriate finish code

CHROME	002
WHITE	020
POLISHED BRASS	099
SATIN NICKEL	295
SATIN/BRASS	297
CHROME/BRASS	299

HOT LINE FOR HELP

For toll-free information and answers to your questions, call:
1-800-442-1902
Weekdays 8:00 a.m. to 6:00 p.m. EST
IN CANADA 1-800-387-0369 (TORONTO 1-905-306-1093)
Weekdays 8:00 a.m. to 7:00 p.m. EST
IN MEXICO 01-800-839-12-00

