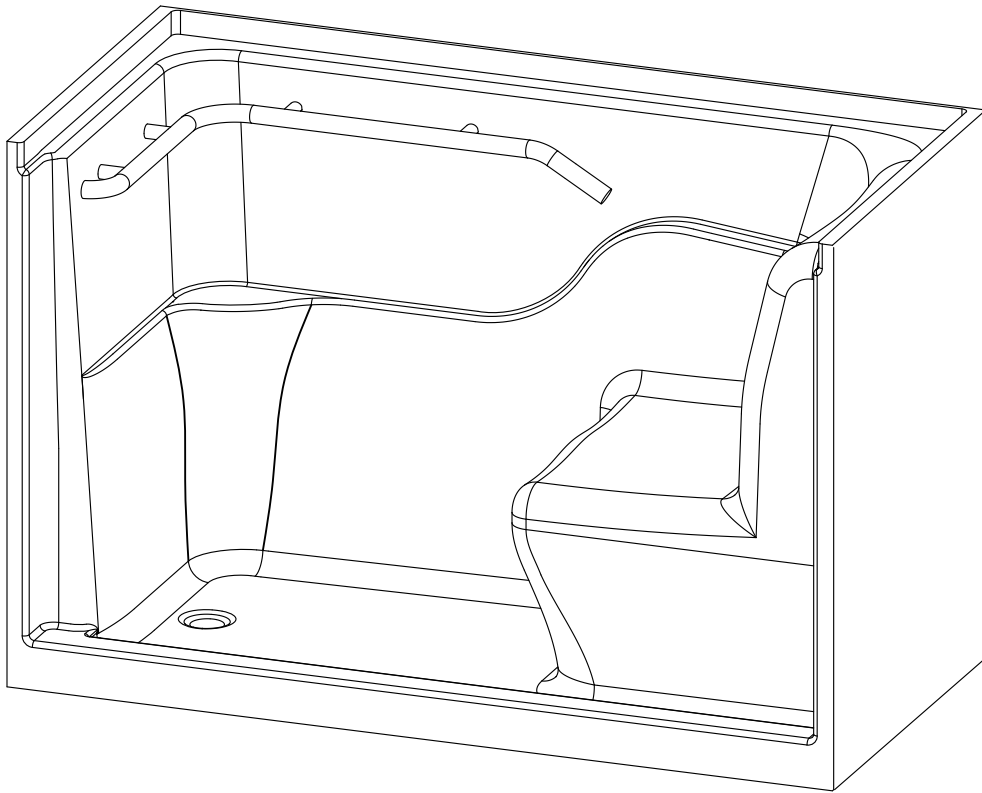


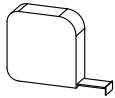
American Standard



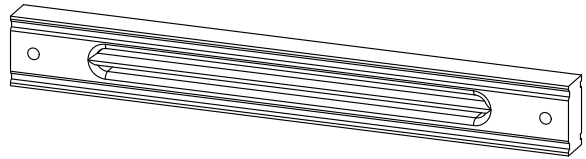
SEATED SHOWER BASE
INSTALLATION INSTRUCTIONS

TOOLS NEEDED

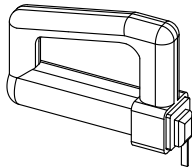
MEASURING TAPE



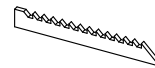
LEVEL (4')



JIG SAW



JIG SAW BLADES (2X)



American Standard

INSTALLATION

Thank you for purchasing the American Standard Seated Shower Base. Please read all instructions carefully prior to installing the Seated Shower. This manual will serve as a guide to get your seated shower installed properly and safely. If you have any questions, please contact your local distributor or contact customer service for additional assistance.

Warning: Inspect all items for defects and/or breakage. If significant damage is present do not install product and contact customer service.

Preparing for Installation

Prior to installation, measurements of the outer dimensions of the Seated Shower should be taken. Dimensions should be written here, _____ L x _____ W, for later reference.

Installation

If the shower enclosure is not already standing, a three wall frame should be built based off the dimensions of the Seated Shower, as shown below in figure 1.

After frame has been built the Seated Shower should be test fitted in place. There should be no more than a 1/4" gap between outer Seated Shower wall and wood frame.

Note: A Drain Trough may need to be cut into the floor in order to accommodate drain plumbing. It should be 12" W x 16" L.

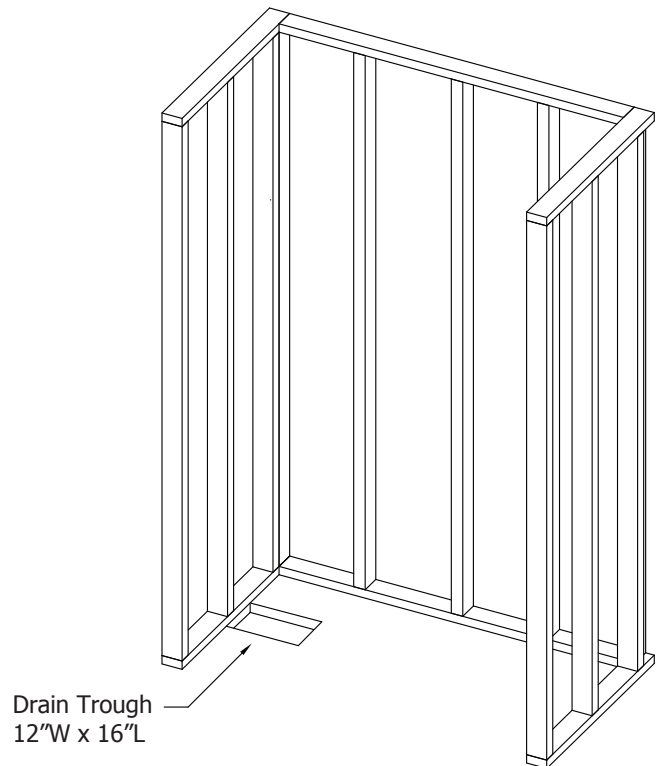
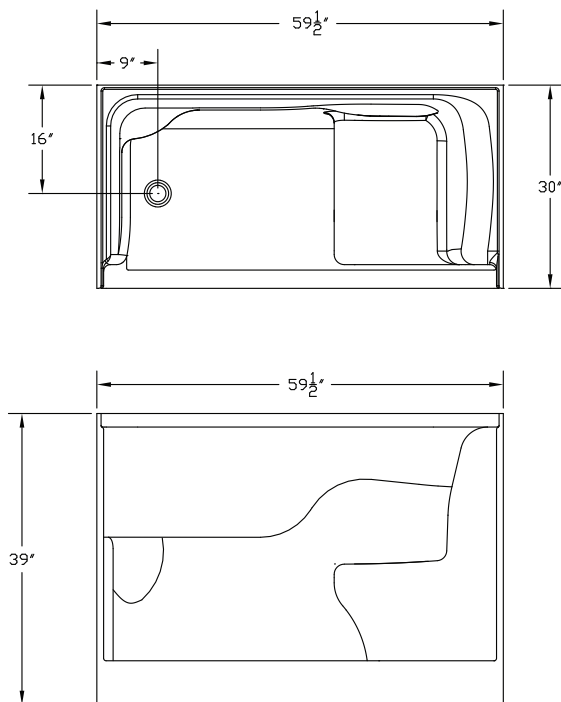


Figure 1
Three Wall Wood Frame

Grab Bar and Secondary Supports

The Seated Shower comes with a built in grab bar, that does not need any secondary reinforcement.

If you would like to add additional grab bars or faucetry now would be the time to add the necessary reinforcements. Add a 2 x 6 wood block in place, where any additional grab bars will be anchored. See figure 2

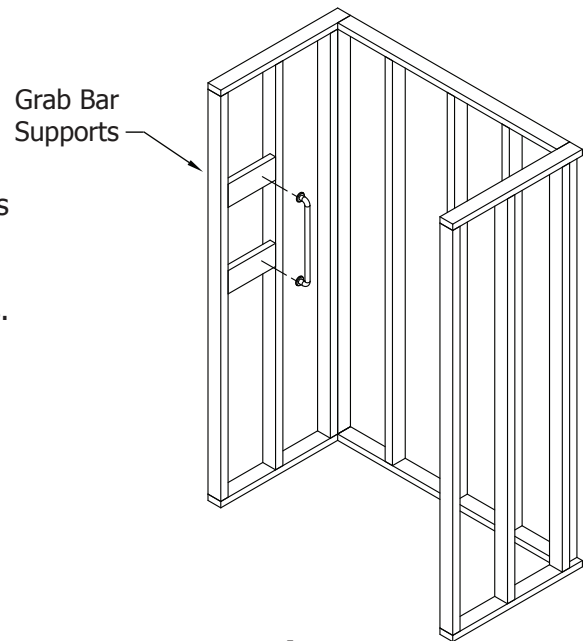


Figure 2

Seated Shower Test Fit

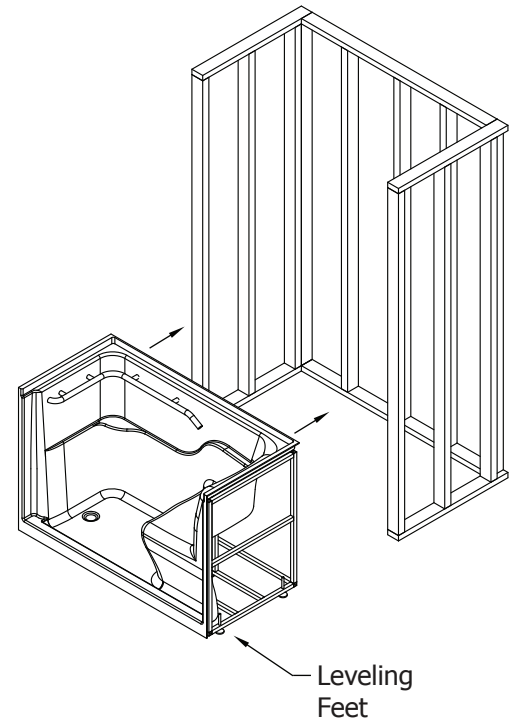
Once wood frame has been built, it is time to test fit the Seated Shower. Prior to moving the Seated Shower into position, a 4' level should be used to ensure the Seated Shower is level.

If it is not level, the Seated Shower has 5 leveling feet that can be adjusted using an adjustable wrench. All of the five feet need to be lowered or raised to ensure they sit firmly on the floor.

After Test Fit is complete, the Seated Shower should be temporarily removed in order to modify and adjust any water lines and drain fittings into final installed position.

When all drain and water lines are in position, slide the Seated Shower back into the wood frame enclosure for permanent install.

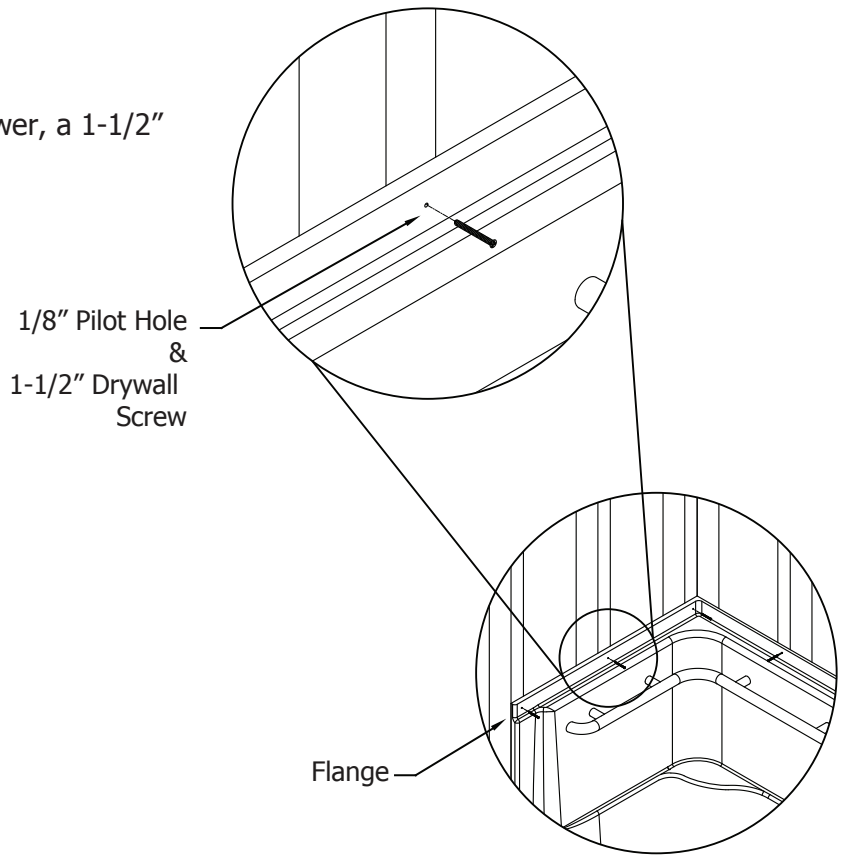
Note: Seated Shower has a clear, thin plastic protective coating that should be removed after installation.



Securing Seated Shower

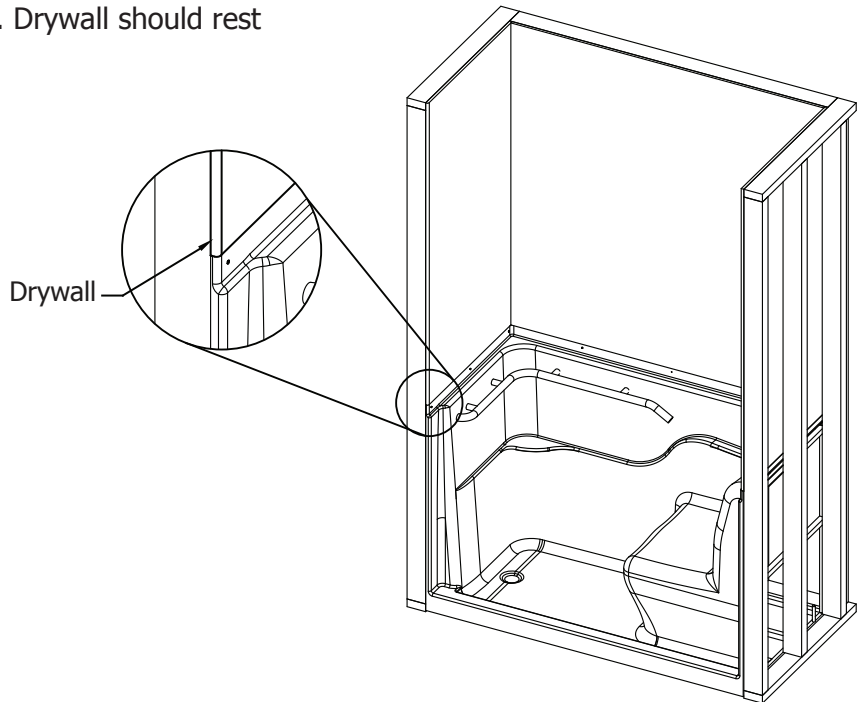
In order to permanently secure the Seated Shower, a 1-1/2" drywall screw will need to be drilled through the Seated Shower Flange into the wood studs.

Warning: In order to prevent cracking of the acrylic flange, a 1/8" pilot hole should be drilled prior to drilling the 1-1/2" drywall screw. Care should be taken not to over tighten the drywall screw into the flange. Over tightening will crack or break the flange.



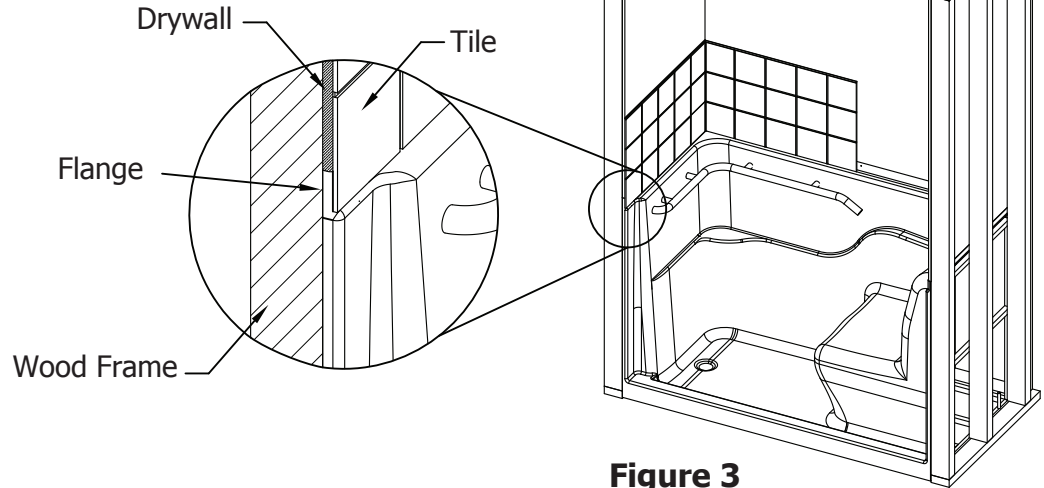
Adding Drywall

After the Seated Shower has been secured to wood frame, 1/2" drywall should be applied to all three walls. Drywall should rest on top Shower Stall flange.

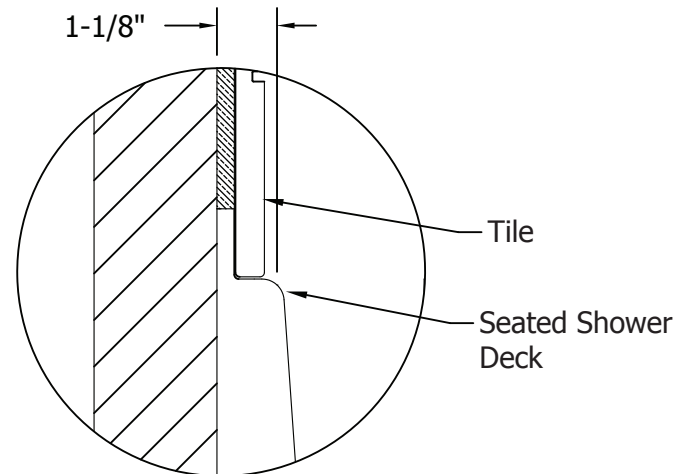


Adding Tile

Once drywall is installed onto the wood frame, tiles or an Acrylic Wall System can then be laid over the drywall and flange. Tiles or an Acrylic Wall System are to overlap the flange and rest on the top deck of the Seated Shower. See Figure 3.



Note: Wall Material should extend no more than 1-1/8" from wood studs, including the 1/2" drywall. This is to ensure tile and Seated Shower Walls are flush with no tile overhang.



Final Seal

After wall materials have been installed, use caulk sealant to ensure a water tight seal between wall material and the top deck of the Seated Shower. Use denatured alcohol to clean any excess caulk residue.

Important: Seal any gaps or openings between tile and Seated Shower properly, to prevent any water seepage behind wall material.