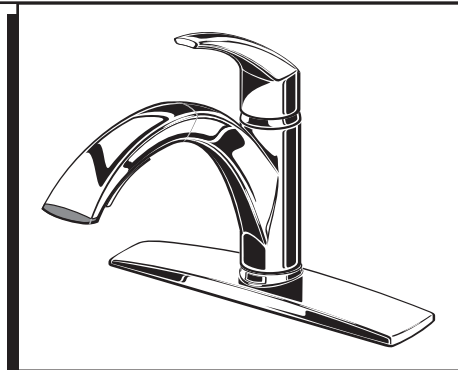


# Installation Instructions

4101.100  
4101.100F15



Certified to comply with ANSI A112.18.1M

M968586 Rev. 1.6

## ARCH™ SINGLE CONTROL KITCHEN PULL-OUT FAUCET

Thank you for selecting American-Standard...  
the benchmark of fine quality for over 100 years.

To ensure that your installation proceeds smoothly...  
please read these instructions carefully before you begin.

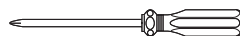
### RECOMMENDED TOOLS



Adjustable Wrench



Regular Screwdriver



Phillips Screwdriver



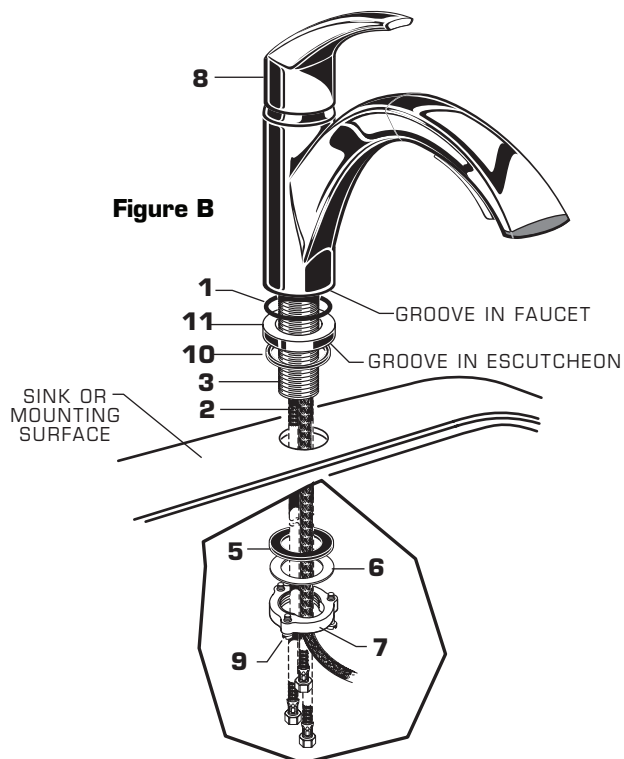
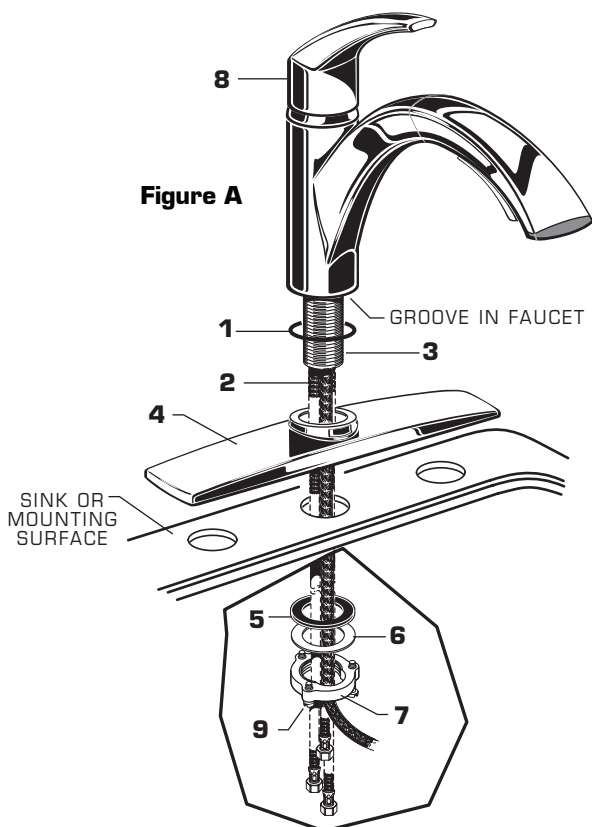
Channel Locks

## 1 INSTALL FAUCET WITH OR WITHOUT DECK ESCUTCHEON

### CAUTION

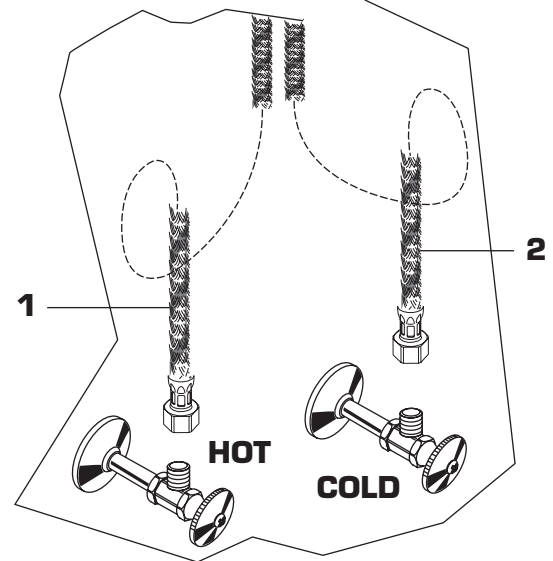
Turn off water at main supply.

- **Installation with ESCUTCHEON: Figure A.** Apply a light bead of plumbers putty to underside of ESCUTCHEON (1) if mounting surface is uneven. Insert SEAL (1) into groove at base of faucet. Insert supply HOSES (2) and SHANK (3) through ESCUTCHEON (4) and mounting surface.
- Assemble RUBBER WASHER (5), BRASS WASHER (6) and threaded LOCKNUT (7) onto SHANK (3) from underside of sink or mounting surface. Hand tighten LOCKNUT (7) and check that rotation of HANDLE (8) from HOT to COLD is centered.
- Use a screwdriver to tighten SCREWS (9) on LOCKNUT (7). Work your way around LOCKNUT (7), tightening the screws slightly each time until all are snug to ensure even pressure.
- **Installation for single hole mounting: Figure B.** Insert SEAL (10) into groove at base of ESCUTCHEON (11). Insert SEAL (1) into groove at base of faucet. Insert supply HOSES (2) and SHANK (3) through ESCUTCHEON (11) and mounting surface.
- Assemble RUBBER WASHER (5), BRASS WASHER (6) and threaded LOCKNUT (7) onto SHANK (3) from underside of sink or mounting surface. Hand tighten LOCKNUT (7) and check that rotation of HANDLE (8) from HOT to COLD is centered.
- Use a screwdriver to tighten SCREWS (9) on LOCKNUT (7). Work your way around LOCKNUT (7), tightening the screws slightly each time until all are snug to ensure even pressure.



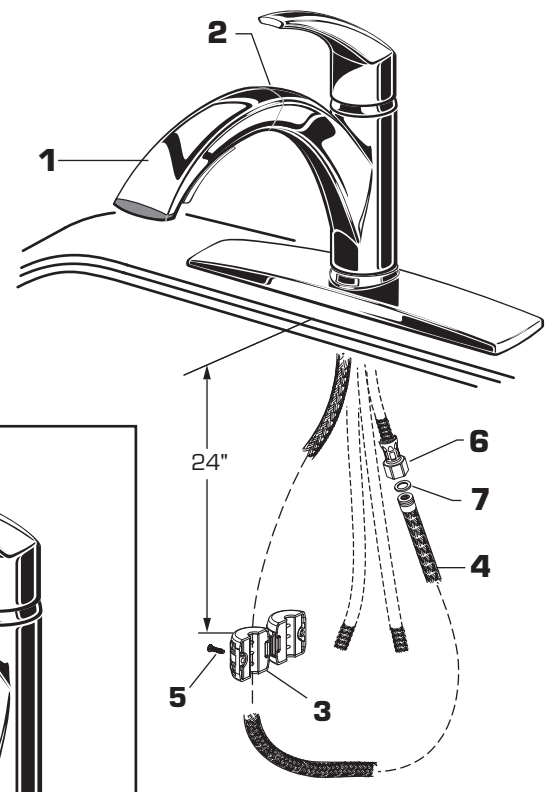
## 2 MAKE WATER SUPPLY CONNECTIONS

- Turn off hot and cold water supplies before beginning.
- Connect FLEXIBLE SUPPLIES (1, 2) directly to wall supplies. Connection on fitting supplies are 3/8" compression. Connect left supply (Marked with a Red Stripe) to Hot and right supply (Marked with Blue Stripe) to Cold wall supply. Use adjustable wrench to tighten connections. Do not over tighten.
- Faucet supplies are 21" long from faucet base.
- *Note: If additional supply length is required, installer must purchase additional parts separately.*
- *Important: If SUPPLY HOSES (1, 2) are too long, loop as illustrated to avoid kinking.*



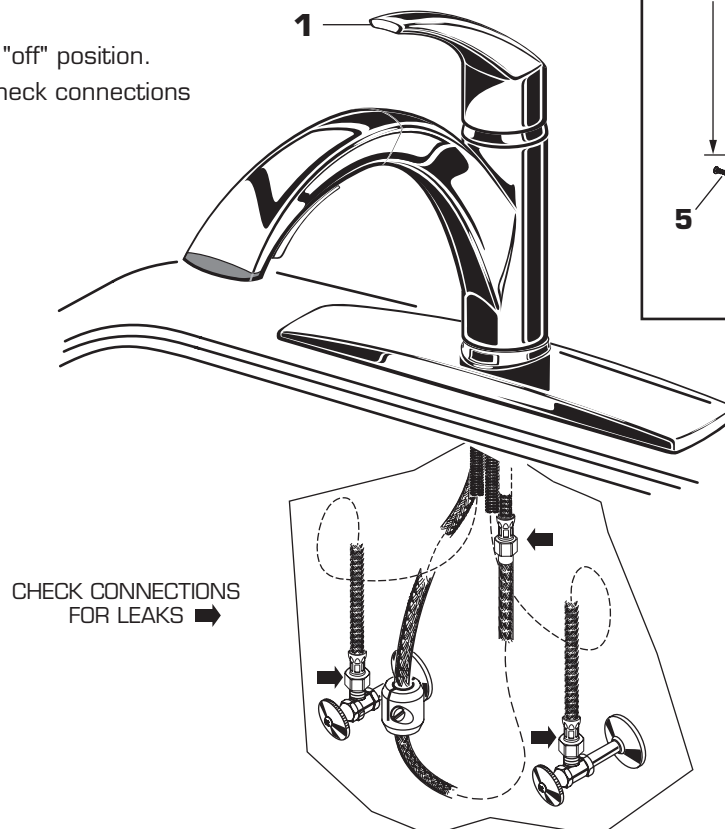
## 3 CONNECT SPRAY HOSE AND INSTALL WEIGHTS

- With PULL-OUT SPRAY (1) seated in FAUCET (2), install WEIGHT (3) onto HOSE (4) using SCREW (5). Locate the WEIGHT (3) two feet (2') from the underside of the sink deck. Tighten SCREW (5) firmly.
- Make sure SEAL WASHER (7) is installed in COUPLING NUT (6). Connect threaded end of HOSE (4) to SPRAY HOSE COUPLING NUT (6) from fitting. Use wrench to tighten.



## 4 CHECK CONNECTIONS FOR LEAKS.

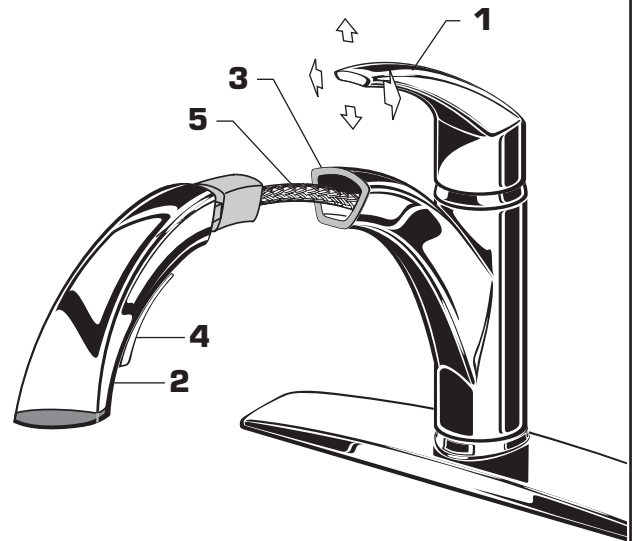
- Move HANDLE (1) down into "off" position.
- Turn on water supplies and check connections for leaks. ➡



# 5

## TEST INSTALLED FAUCET

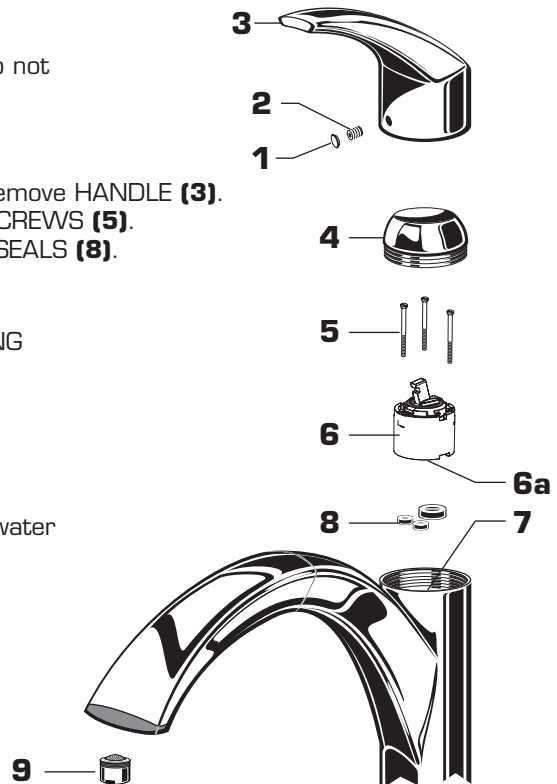
- Move HANDLE (1) down into "off" position.
- Turn on water supplies. Check connections for leaks.
- With HANDLE (1) down in "off" position, pull HAND SPRAY (2) from FAUCET (3). SPRAY (HOSE (5)) should pull approximately 2 feet and direct open SPRAY END (2) into sink.
- Operate handle up and down, in COLD and HOT positions, to flush water lines thoroughly.
- Place HAND SPRAY (2) back into FAUCET (3).
- Check HAND SPRAY (2) operation:
- With faucet on push BUTTON (4) for a broad cleansing spray. BUTTON (4) will lock into this position.
- To unlock push opposite end of BUTTON (4). Faucet will return to standard spray.



# 6

## SERVICE

- If faucet drips, operate HANDLE several times from "off" to "on." Do not apply excessive force.
- **Clogged CARTRIDGE outlets or inlets may cause reduced flow.** To clean, first turn off water supply then:
  - Remove INDEX BUTTON (1), loosen HANDLE SCREW (2) and remove HANDLE (3).
  - Unthread ESCUTCHEON CAP (4). Unthread three MOUNTING SCREWS (5).
  - Lift CARTRIDGE (6) off MANIFOLD (7) and remove CARTRIDGE SEALS (8).
  - Clean MANIFOLD (7), CARTRIDGE (6) ports and SEALS (8).
  - Place SEALS (8) into CARTRIDGE PORTS (6a).
  - Place CARTRIDGE (6) onto MANIFOLD (7) and tighten MOUNTING SCREWS (5) alternately.
  - Replace ESCUTCHEON CAP (4), HANDLE (3), tighten HANDLE SCREW (1) and install INDEX BUTTON (2).
- Test fitting.
- AERATOR (9) may accumulate dirt causing distorted and reduced water flow. Remove AERATOR (9) and rinse clean.



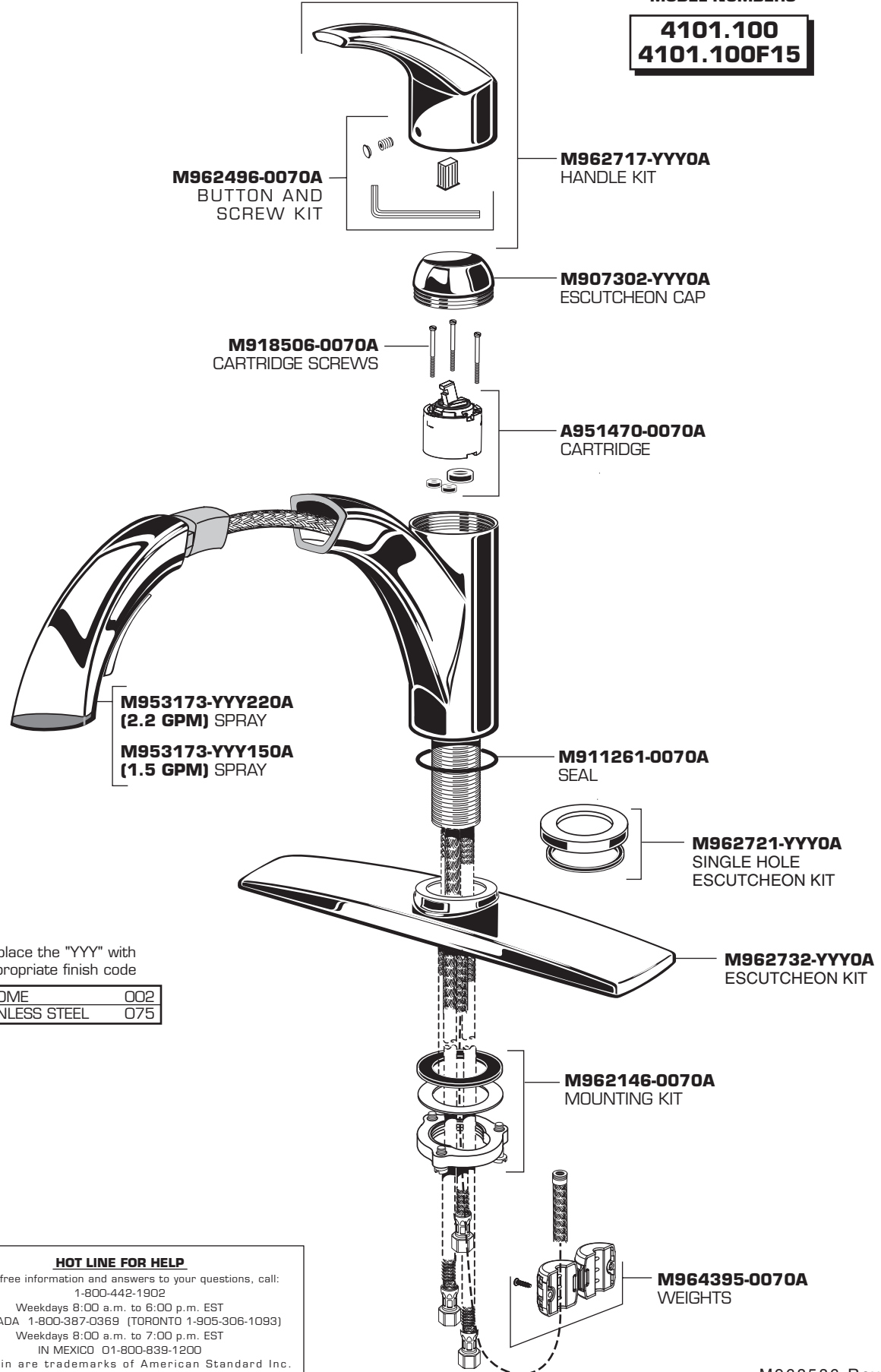
# 7

## CARE INSTRUCTIONS:

- DO: SIMPLY RINSE THE PRODUCT CLEAN WITH CLEAR WATER. DRY WITH A SOFT COTTON FLANNEL CLOTH.**
- DO NOT: DO NOT CLEAN THE PRODUCT WITH SOAPS, ACID, POLISH, ABRASIVES, HARSH CLEANERS, OR A CLOTH WITH A COARSE SURFACE.**

**ARCH™**  
**SINGLE CONTROL KITCHEN**  
**PULL-OUT FAUCET**  
**MODEL NUMBERS**

**4101.100**  
**4101.100F15**



Replace the "YYY" with appropriate finish code

CHROME	002
STAINLESS STEEL	075



**HOT LINE FOR HELP**

For toll-free information and answers to your questions, call:  
 1-800-442-1902  
 Weekdays 8:00 a.m. to 6:00 p.m. EST  
 IN CANADA 1-800-387-0369 (TORONTO 1-905-306-1093)  
 Weekdays 8:00 a.m. to 7:00 p.m. EST  
 IN MEXICO 01-800-839-1200

Product names listed herein are trademarks of American Standard Inc.  
 © AS America, Inc. 2008