

American Standard

Installation Instructions

GREEN TEA ACCESSORIES

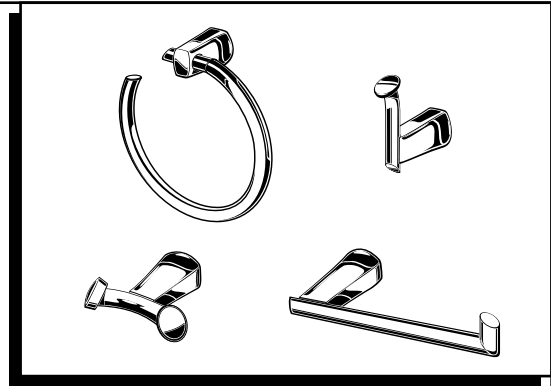
TOWEL RING
ROBE HOOK
DOUBLE ROBE HOOK
TISSUE HOLDER

7010.190
7010.210
7010.211
7010.230

Thank you for selecting American-Standard...the benchmark of fine quality for over 100 years.
To ensure that your installation proceeds smoothly--please read instructions carefully before you begin.

Certified to comply with ANSI A112.18.1

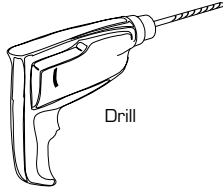
M968630 Rev. 1.1



Recommended Tools



Tape Measure



Drill



Regular Screwdriver



Phillips Screwdriver

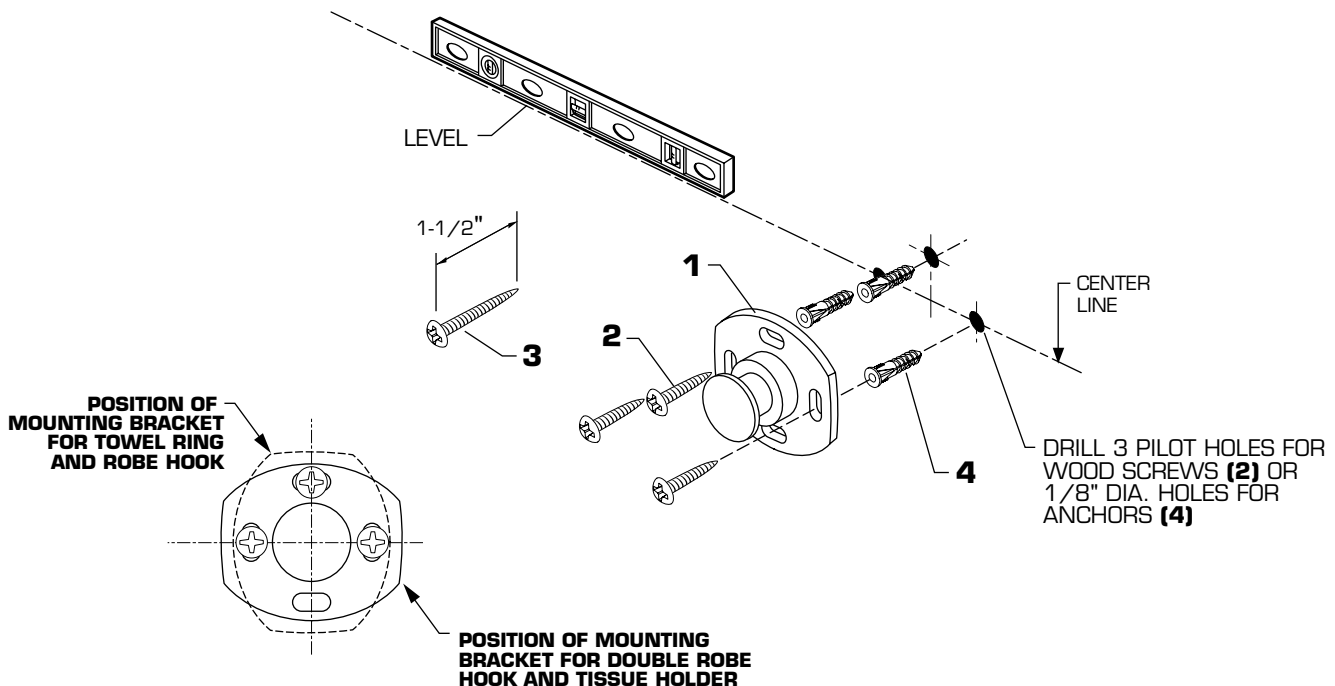
CARE INSTRUCTIONS:

DO: SIMPLY RINSE THE PRODUCT CLEAN WITH CLEAR WATER. DRY WITH A SOFT COTTON FLANNEL CLOTH.

DO NOT: CLEAN THE PRODUCT WITH SOAPS, ACID, POLISH, ABRASIVES, HARSH CLEANERS, OR A CLOTH WITH A COARSE SURFACE.

1 TOWEL RING, ROBE HOOK and TISSUE HOLDER MOUNTING BRACKET INSTALLATION

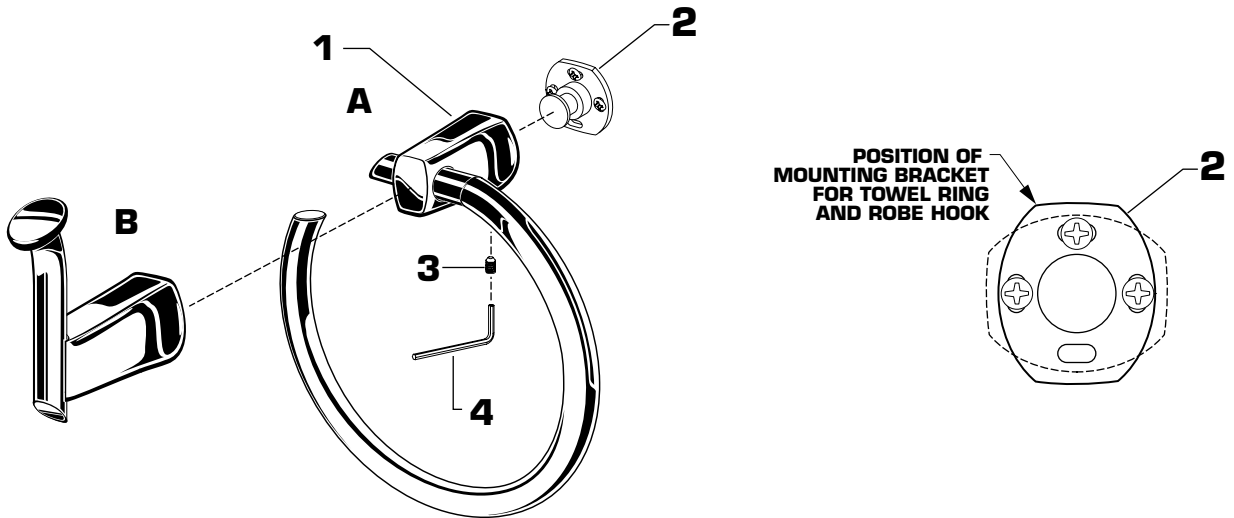
- The TOWEL RING, ROBE HOOK and TISSUE HOLDER work best if secured to a wall stud or cross brace within the wall, using 1-1/2" long **SCREWS (3)** not supplied.
- If the TOWEL RING, ROBE HOOK and TISSUE HOLDER are to be installed on a tile or plaster wall the **ANCHORS (4)** and **SCREWS (2)** should be used.
- Determine desired height and location (optional) for the accessory and mark a center line. If **MOUNTING BRACKET (1)** is secured to a stud or cross brace drill small pilot holes for **SCREWS (3)**. **(NOTE PROPER POSITION OF MOUNTING BRACKET FOR ACCESSORY TO BE INSTALLED.)**
- **For installations on drywall or tiled walls**, use **ANCHORS (4)** and **SCREWS (2)** for securing **MOUNTING BRACKETS (1)** to wall. Use **MOUNTING BRACKET (1)** as a template and mark the mounting holes. Drill three 1/8" diameter holes a minimum of 1-1/4" deep. Insert the three **ANCHORS (4)** flush with face of the finished wall.
- Secure **MOUNTING PLATES (1)** to wall with **SCREWS (2)**.



2 TOWEL RING INSTALLATION

- Align accessory **(A, B)** and place ESCUTCHEON **(1)** onto MOUNTING BRACKET **(2)**. Secure accessory with SET SCREW **(3)** using 2.5mm HEX WRENCH **(4)** supplied.

[NOTE POSITION OF MOUNTING BRACKET.]



3 ROBE HOOK AND TISSUE HOLDER INSTALLATION

- Align accessory **(C, D)** and place ESCUTCHEON **(1)** onto MOUNTING BRACKET **(2)**. Secure accessory with SET SCREW **(3)** using 2.5mm HEX WRENCH **(4)** supplied.

[NOTE POSITION OF MOUNTING BRACKET.]

