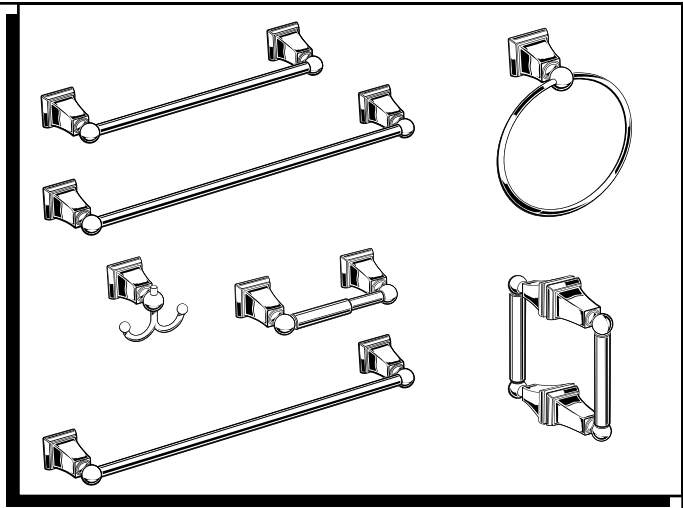


TS SERIES
Traditional Square Accessories

18" TOWEL BAR	8338.018
24" TOWEL BAR	8338.024
TOWEL RING	8338.190
DOUBLE ROBE HOOK	8338.210
TOILET PAPER HOLDER	8338.230
24" SHOWER DOOR HANDLE	8338.524
6" SHOWER DOOR HANDLE	8338.506

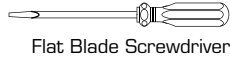
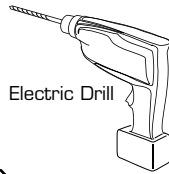
Thank you for selecting American-Standard...the benchmark of fine quality for over 100 years.

To ensure that your installation proceeds smoothly--please read instructions carefully before you begin.



M965367 REV. 1.2 (11/14)

Recommended Tools



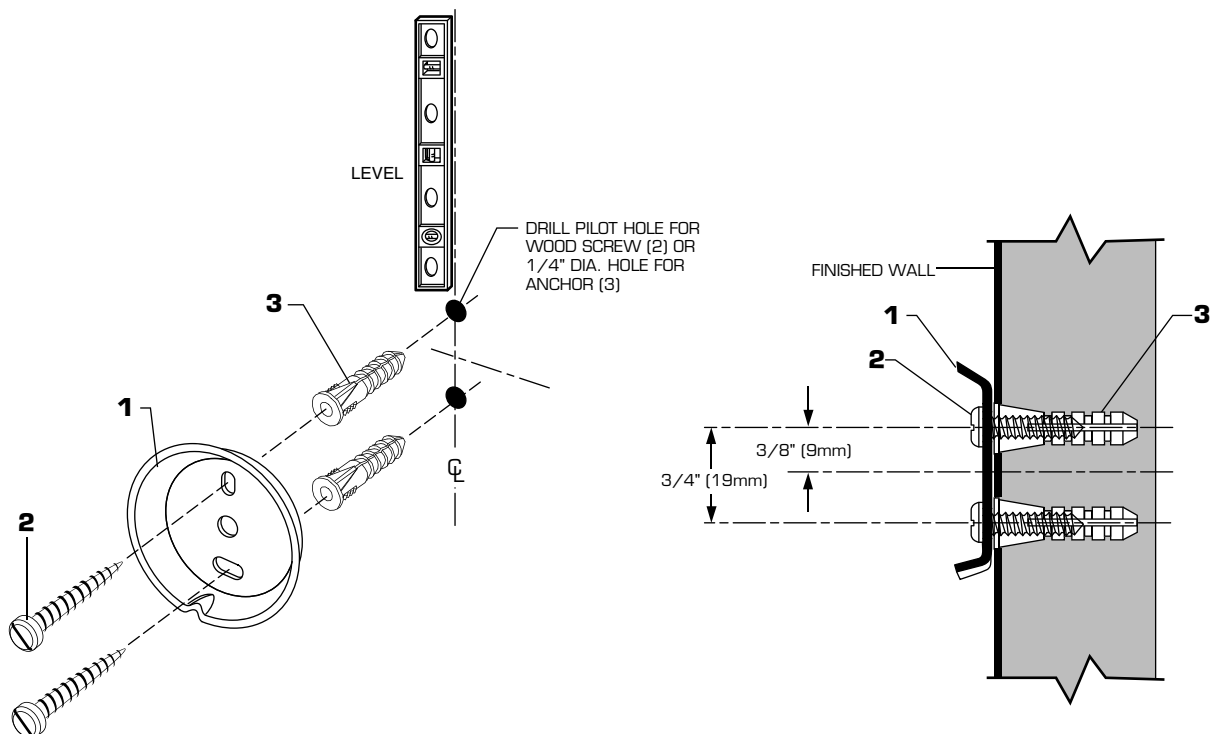
CARE INSTRUCTIONS:

DO: CLEAN WITH CLEAR WATER. DRY WITH A SOFT COTTON FLANNEL CLOTH.

DO NOT: DO NOT CLEAN THE PRODUCT WITH SOAPS, ACID, POLISH, ABRASIVES, HARSH CLEANERS, OR A CLOTH WITH A COARSE SURFACE.

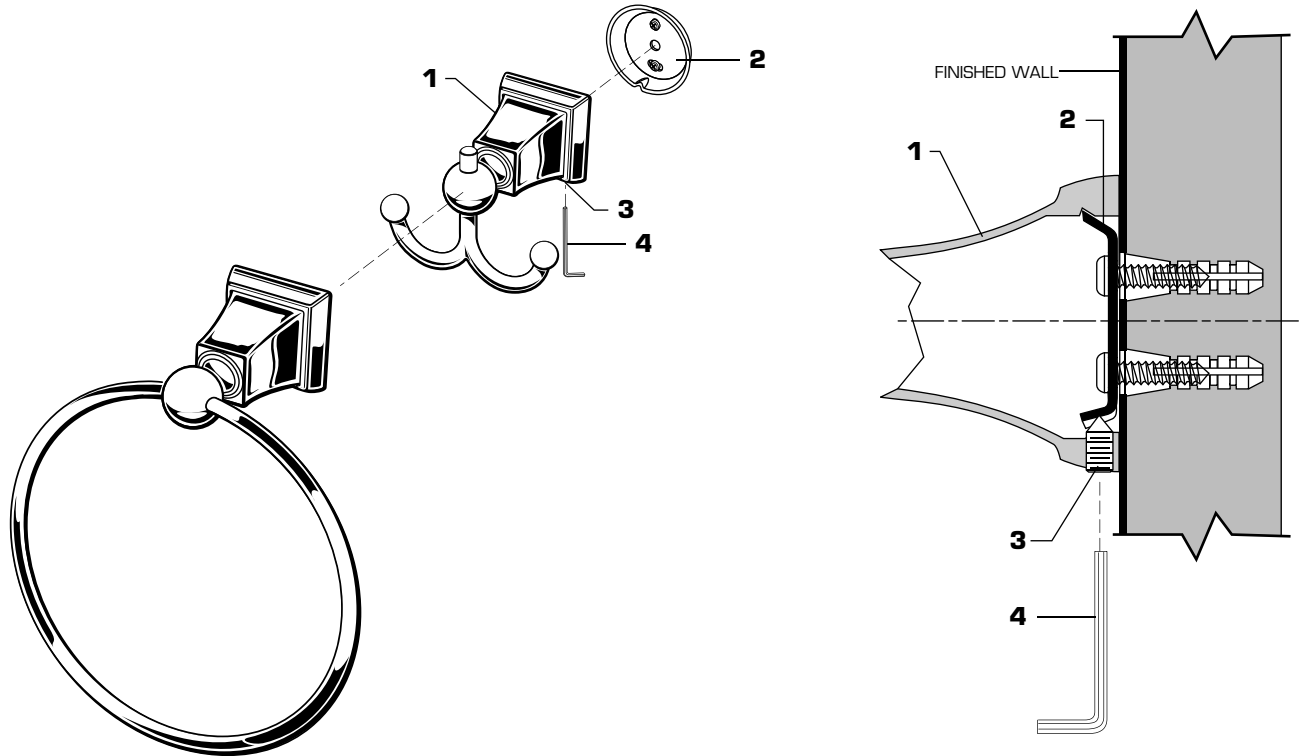
1 INSTALLATION OF MOUNTING BRACKETS FOR ALL WALL MOUNTED ACCESSORIES

- The WALL MOUNTED ACCESSORIES work best if secured to a wall stud or cross brace within the wall, using the SCREWS (2) supplied.
- If the ACCESSORY is to be installed on a tile or plaster wall, the ANCHORS (3) and SCREWS (2) should be used.
- Determine desired height and location (optional) and mark a center line. Make sure the centerline is level. Using the MOUNTING BRACKET (1) as a template, mark the two spots for the mounting holes. If MOUNTING BRACKET (1) is secured to a stud or cross brace, drill small pilot holes for SCREWS (2).
- For installations on tiled walls or drywall, use TILE ANCHORS (3) and SCREWS (2) for securing MOUNTING BRACKET (1) to wall. Drill two 1/4" diameter holes a minimum of 1-1/4" deep. Insert the two TILE ANCHORS (3) flush with face of finished wall. Place MOUNTING BRACKET (1) over TILE ANCHORS (3) and insert SCREWS (2) provided with a flat blade screwdriver. See illustration below.
- Secure MOUNTING BRACKET (1) to wall with SCREWS (2).



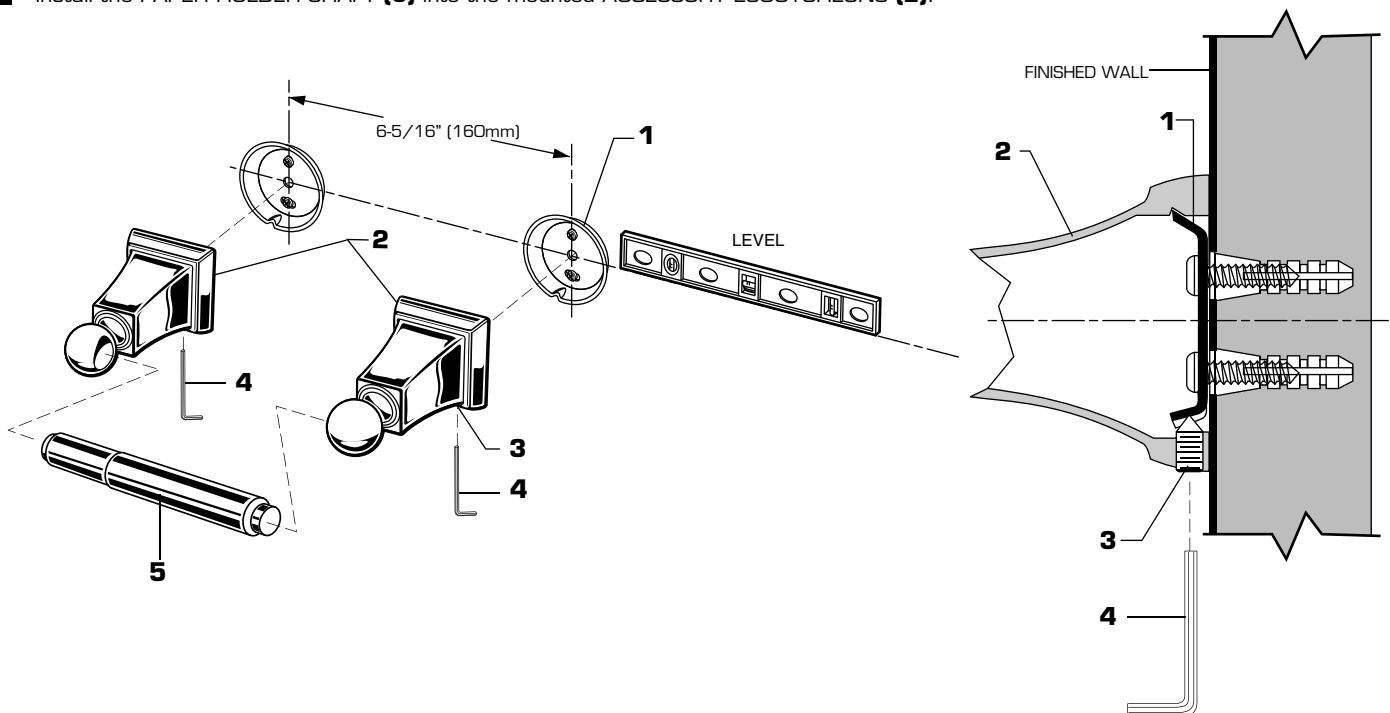
2 TOWEL RING and ROBE HOOK INSTALLATION

- Refer to **Step 1** for installation of MOUNTING BRACKETS (2). Align accessory and place ACCESSORY ESCUTCHEON (1) onto MOUNTING BRACKET (2). Secure accessory with SET SCREW (3) using a 4mm HEX WRENCH (4).



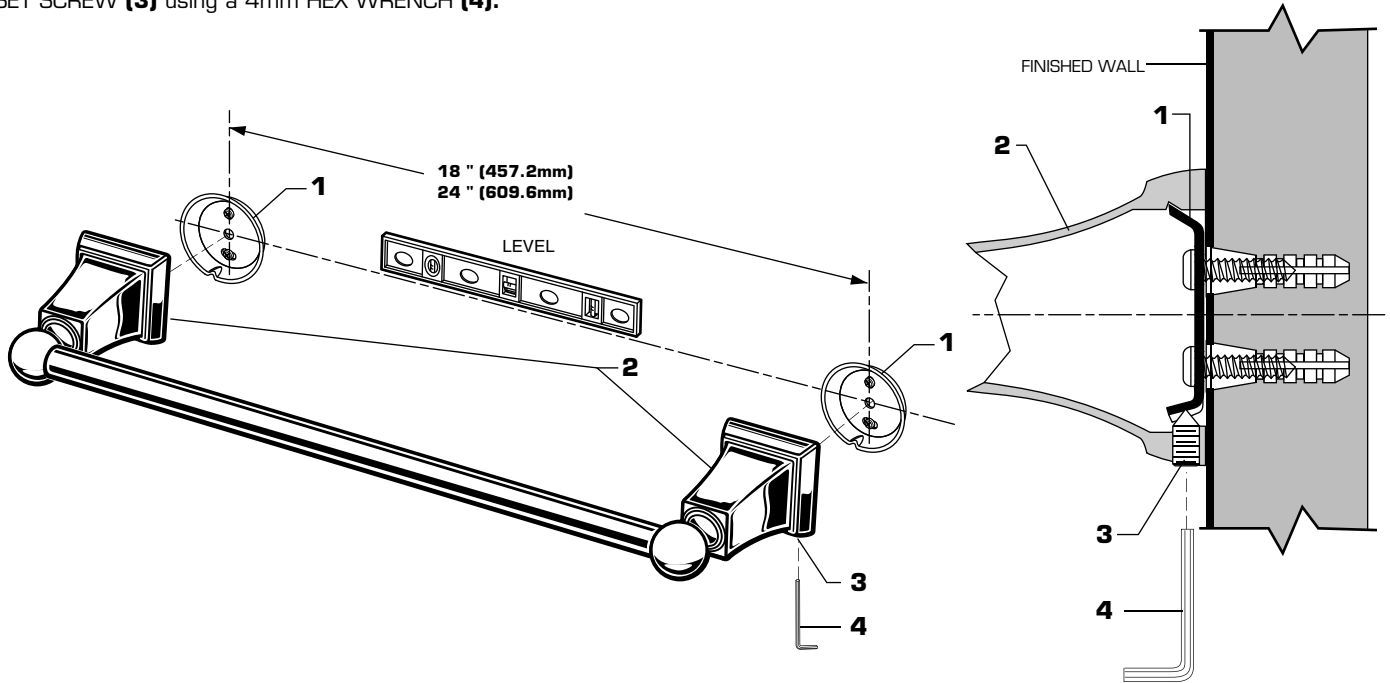
3 INSTALL TOILET PAPER HOLDER

- Refer to **Step 1** for installation of MOUNTING BRACKETS (1). **NOTE: The center line distance between the two MOUNTING BRACKETS is 6-5/16" (160mm). Make sure the two MOUNTING BRACKETS (1) are level.**
- Install the ACCESSORY ESCUTCHEONS (2) on the MOUNTING BRACKETS (1). Make sure the ACCESSORY ESCUTCHEONS (2) with holes for the horizontal shaft are facing inward. Secure ACCESSORY ESCUTCHEONS (2) with SET SCREW (3) using a 4mm HEX WRENCH (4).
- Install the PAPER HOLDER SHAFT (5) into the mounted ACCESSORY ESCUTCHEONS (2).



4 18" and 24" TOWEL BAR INSTALLATION

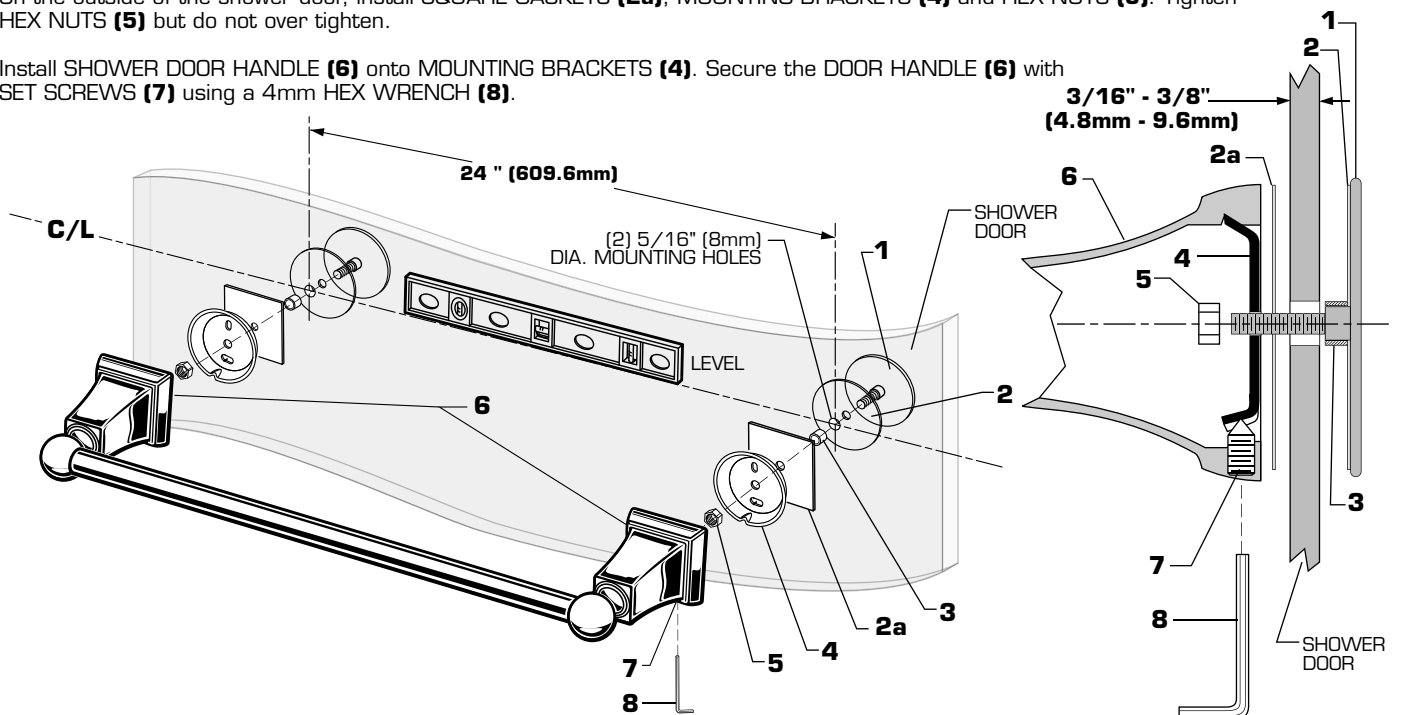
- Refer to **Step 1** for installation of MOUNTING BRACKETS (1). **NOTE: The center line distance between the two MOUNTING BRACKETS is 18" (457.2mm) or 24" (609.6mm). Make sure the two MOUNTING BRACKETS (1) are level.**
- Install the ACCESSORY ESCUTCHEONS (2) on the MOUNTING BRACKETS (1). Secure ACCESSORY ESCUTCHEONS (2) SET SCREW (3) using a 4mm HEX WRENCH (4).



5 24" SHOWER DOOR HANDLE INSTALLATION

Note: Professional installation is required for this product. The warranty does not cover damage to the shower door due to improper installation.

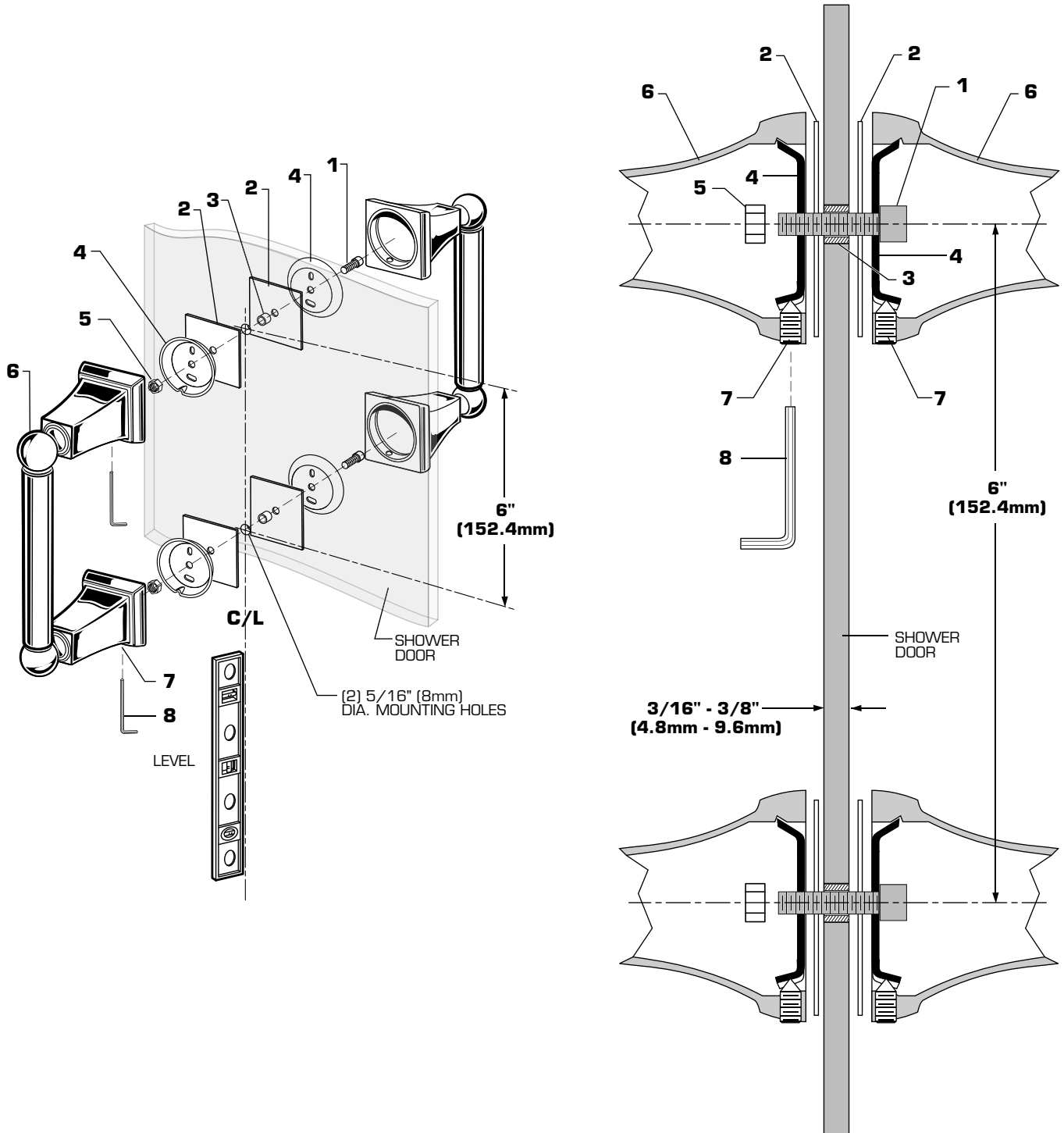
- Determine the desired height and location and mark a horizontal centerline. Make sure the centerline is level.
- Drill two 5/16" (8mm) diameter mounting holes through the shower door 24" (609.6mm) apart. Insert BOLTS (1), GASKETS (2) and INSERTS (3) on the inside of the shower door.
- On the outside of the shower door, install SQUARE GASKETS (2a), MOUNTING BRACKETS (4) and HEX NUTS (5). Tighten HEX NUTS (5) but do not over tighten.
- Install SHOWER DOOR HANDLE (6) onto MOUNTING BRACKETS (4). Secure the DOOR HANDLE (6) with SET SCREWS (7) using a 4mm HEX WRENCH (8).



6 6" SHOWER DOOR HANDLE INSTALLATION

Note: Professional installation is required for this product. The warranty does not cover damage to the shower door due to improper installation.

- Determine the desired height and location and mark a vertical centerline. Make sure the centerline is level.
- Drill two 5/16" (8mm) diameter mounting holes through the shower door 6" (152.4mm) apart. Insert BOLTS (1), GASKETS (2), INSERTS (3) and MOUNTING BRACKETS (4) on the inside of the shower door.
- On the outside of the shower door, install GASKETS (2), MOUNTING BRACKETS (4) and HEX NUTS (5). Tighten HEX NUTS (5) but do not over tighten.
- Install SHOWER DOOR HANDLE (6) onto MOUNTING BRACKETS (4). Secure the DOOR HANDLE (6) with SET SCREWS (7) using a 4mm HEX WRENCH (8).



American Standard

**TS SERIES
Traditional Square
Bath Accessories**

18" TOWEL BAR

24" TOWEL BAR

TOWEL RING

DOUBLE ROBE HOOK

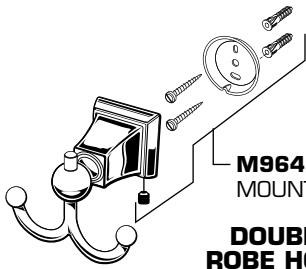
TOILET PAPER HOLDER

24" SHOWER DOOR HANDLE

6" SHOWER DOOR HANDLE

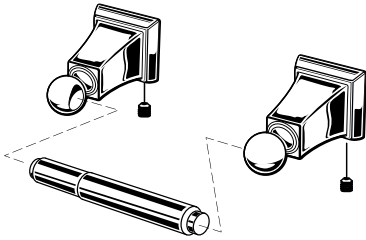
MODEL NUMBERS

8338.018
8338.024
8338.190
8338.210
8338.230
8338.524
8338.506

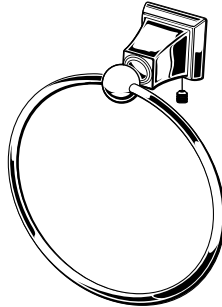


**M964248-0070A
MOUNTING KIT**

**DOUBLE
ROBE HOOK
8338.210**



**TOILET PAPER HOLDER
8338.230**



**TOWEL RING
8338.190**

Replace the "YYY" with appropriate finish code

CHROME	002
OIL RUBBED BRONZE	224
SATIN NICKEL	295

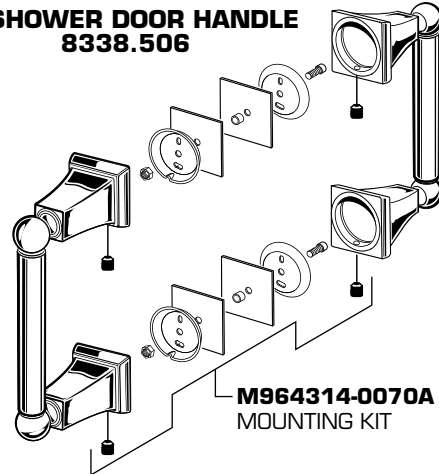


**18" TOWEL BAR
8338.018**

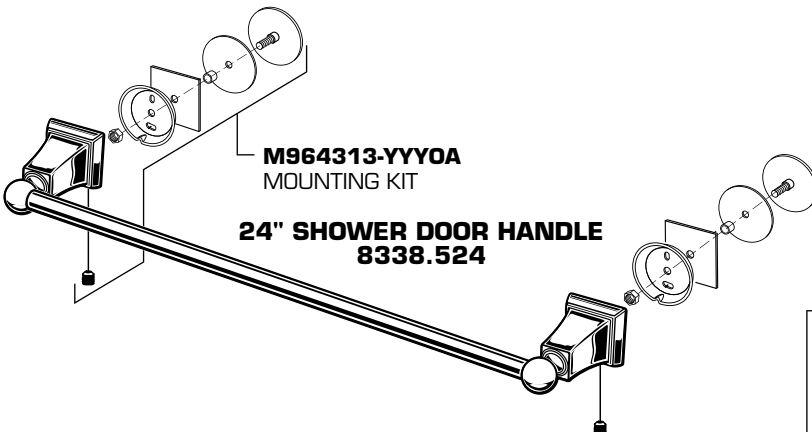


**24" TOWEL BAR
8338.024**

**6" SHOWER DOOR HANDLE
8338.506**



**M964314-0070A
MOUNTING KIT**



**M964313-YYY0A
MOUNTING KIT**
**24" SHOWER DOOR HANDLE
8338.524**



HOT LINE FOR HELP

For toll-free information and answers to your questions, call:
1-800 442-1902
Weekdays 8:00 a.m. to 8:00 p.m. EST
IN MEXICO 01-800-839-1200

IN CANADA 1-800-387-0369 (TORONTO 1-905-306-1093)
Weekdays 8:00 a.m. to 7:00 p.m. EST

Product names listed herein are trademarks of American Standard Inc.
© AS America, Inc. 2012

M965367 REV. 1.2 (11/14)