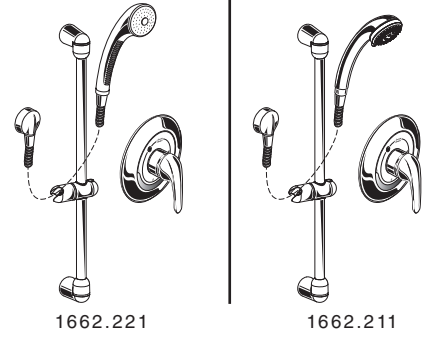


COMMERCIAL SHOWER SYSTEM KITS: 1.5 gpm & 2.5 gpm

**1662.221
1662.211**



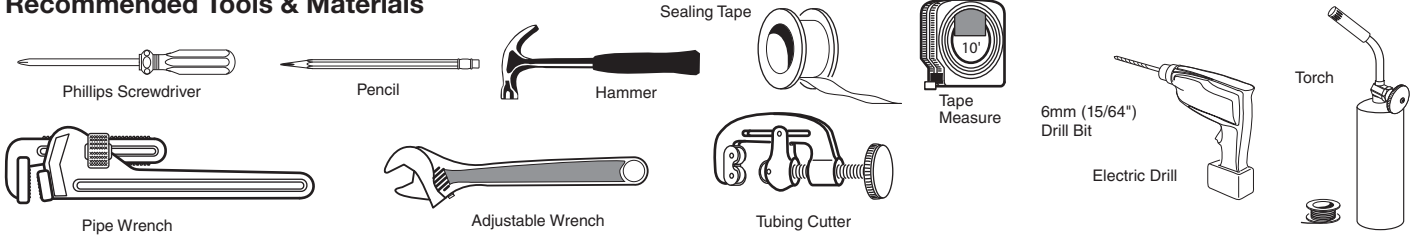
Thank you for selecting American-Standard...the benchmark of fine quality for over 100 years.

To ensure that your installation proceeds smoothly--please read these instructions carefully before you begin.

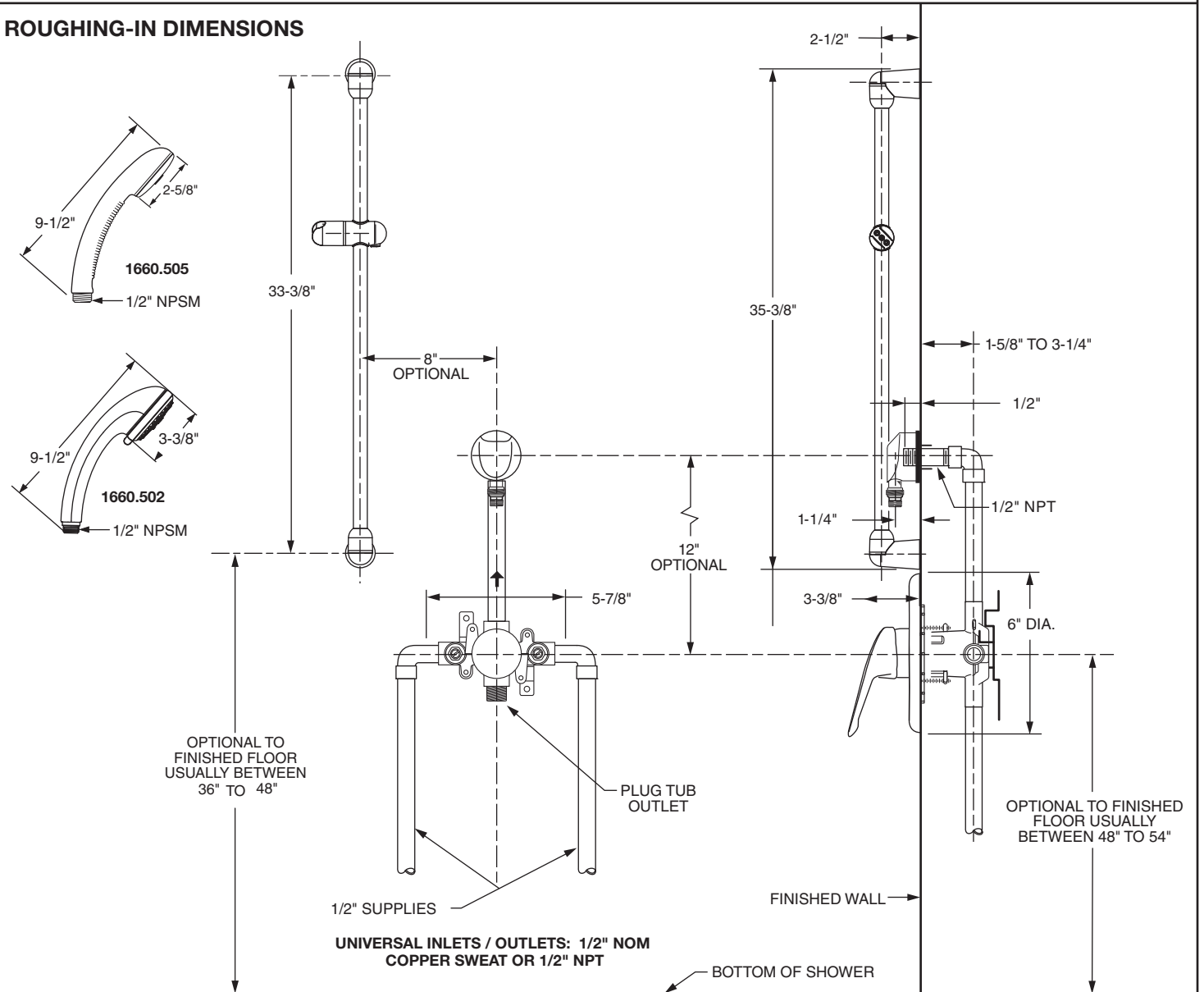
Installation must conform to all local building codes.

Certified to comply with ANSI A112.18.1
M965116 REV. 1.2 (12/16)

Recommended Tools & Materials



ROUGHING-IN DIMENSIONS



1 INSTALL THE R121SS VALVE BODY

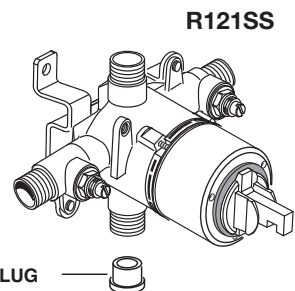
NOTE

REFER TO INSTALLATION INSTRUCTIONS (M965661) SUPPLIED WITH VALVE BODY FOR COMPLETE INSTALLATION AND REPAIR PART INFORMATION.

IMPORTANT

When soldering, remove **PLASTER GUARD, CARTRIDGES and CHECK STOPS (IF PRESENT)**. When finished soldering, flush valve body, replace cartridges, check stops (if present) and plaster guard to continue installation. Use thread sealant or Teflon tape on threaded connections.

- See Roughing-in diagram before starting.
- Connections are:
 - 1/2" NOM Copper Sweat or 1/2" NPT inlets
 - 1/2" NOM Copper Sweat or 1/2" NPT tub and shower outlets



1/2" SWEAT PLUG

2 MAKE ALL CONCEALED PIPING CONNECTIONS

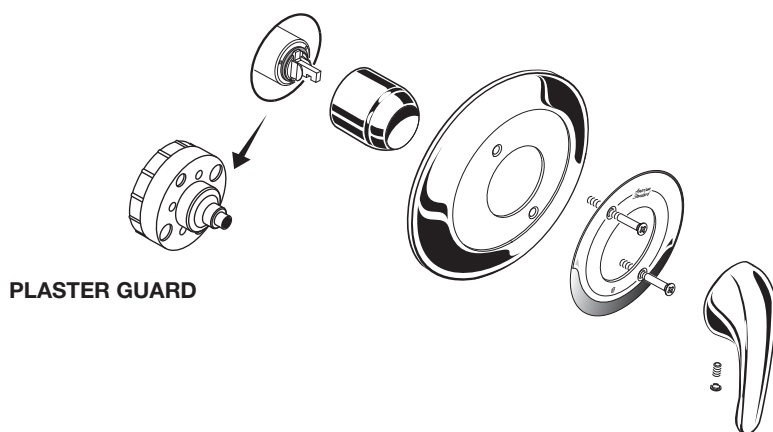
- See Roughing-in diagram before starting.
- Make Hot and Cold supply connections to the VALVE BODY. Inlet and outlet connections to the valve body are 1/2" copper sweat.
- Make the connections for the HAND SHOWER. The HAND SHOWER connection is 1/2" NPT.
- For support, use PIPE BRACES secured to wooden braces. Cap off HAND SHOWER. With the R120SS VALVE turned off, turn on water supplies. Check for leaks.
- Finish all wall construction.

3 INSTALL VALVE TRIM

NOTE

REFER TO INSTALLATION INSTRUCTIONS (M968763) SUPPLIED WITH VALVE TRIM KIT FOR COMPLETE INSTALLATION AND REPAIR PART INFORMATION.

- When finished tiling the wall, remove PLASTER GUARD.
- Install VALVE TRIM.



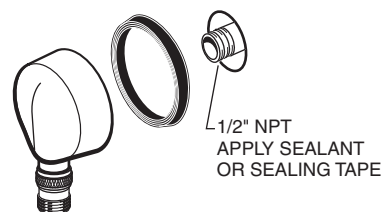
PLASTER GUARD

4 INSTALL WALL SUPPLY

NOTE

REFER TO INSTALLATION INSTRUCTIONS (M968637) SUPPLIED WITH WALL SUPPLY FOR COMPLETE INSTALLATION AND REPAIR PART INFORMATION.

- Supply to WALL SUPPLY is 1/2" NPT. See rough-in above for detailed information.
- Apply sealant or sealing tape to threads of 1/2" NPT supply nipple.



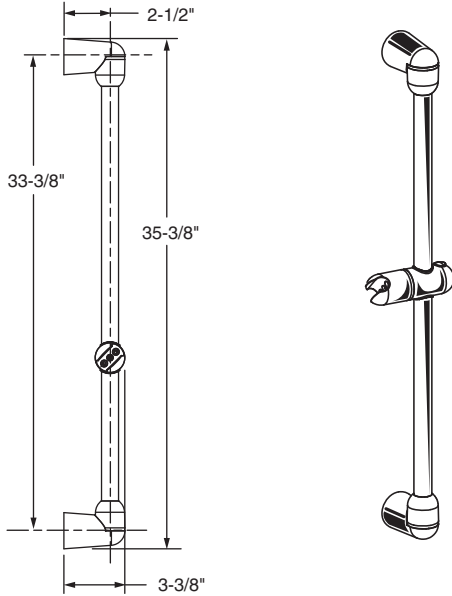
1/2" NPT
APPLY SEALANT
OR SEALING TAPE

5 INSTALL HAND SHOWER SLIDE BAR

NOTE

REFER TO INSTALLATION INSTRUCTIONS (M968637) SUPPLIED WITH SHOWER SYSTEM KIT FOR COMPLETE INSTALLATION AND REPAIR PART INFORMATION.

- The height and location of the SLIDE BAR is optional. It can be installed to the right or left side of the R120SS VALVE.



6 INSTALL HOSE AND HAND SHOWER TEST SHOWER SYSTEM

NOTE

REFER TO INSTALLATION INSTRUCTIONS (M968637) SUPPLIED WITH SHOWER SYSTEM KIT FOR COMPLETE INSTALLATION AND REPAIR PART INFORMATION.

- Place the HAND SHOWER into the SLIDE BAR after all hose connections are made. The installation of the SHOWER SYSTEM KIT is now complete.
- Turn on water supplies and check all functions of the SHOWER SYSTEM KIT. Check for any leaks.



CARE INSTRUCTIONS:

DO: SIMPLY RINSE THE PRODUCT CLEAN WITH CLEAR WATER. DRY WITH A SOFT COTTON FLANNEL CLOTH.

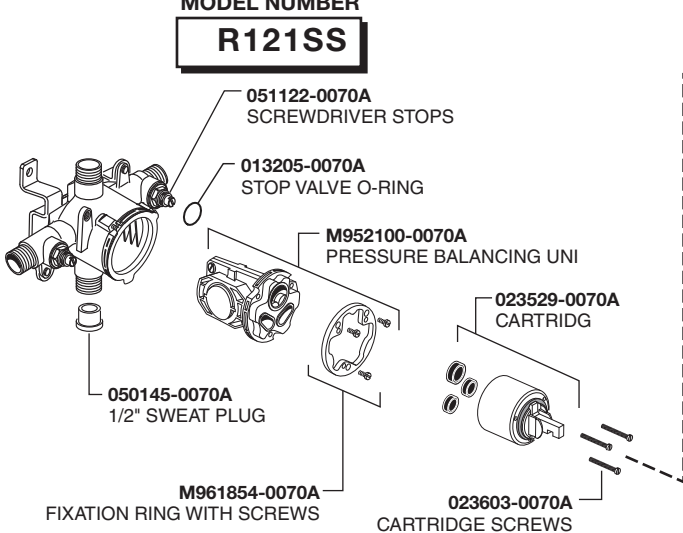
DO NOT: DO NOT CLEAN THE PRODUCT WITH SOAPS, ACID, POLISH, ABRASIVES, HARSH CLEANERS, OR A CLOTH WITH A COARSE SURFACE.

American Standard

PRESSURE BALANCE TEMPERATURE/VOLUME CONTROL VALVE

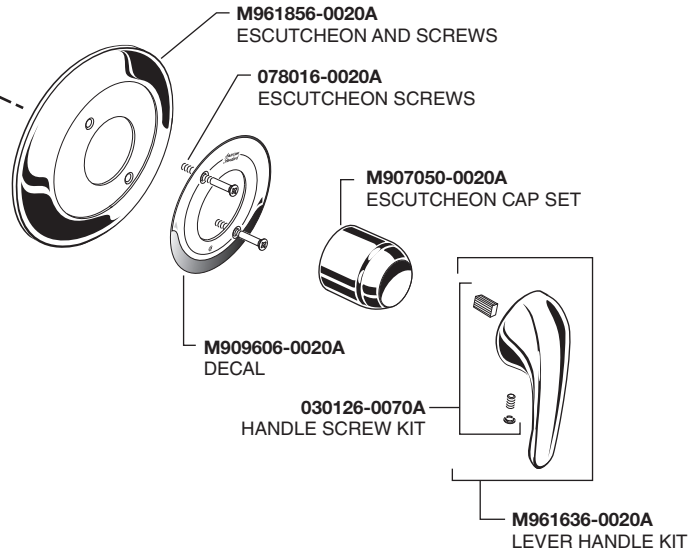
MODEL NUMBER

R121SS



COLONY SOFT VALVE TRIM MODEL NUMBER

T675.500



FIXED HAND SHOWER
1660.505.002

3-FUNCTION HAND SHOWER
1660.502.002

1660505.002
 HAND SHOWER

1660502.002
 3-FUNCTION
 HAND SHOWER

WALL SUPPLY
8888.037.002

8888037.002
 WALL SUPPLY

M962520-0020A
 CHECK VALVE

030782-0020A
 HOSE KIT

METAL HOSE
8888.035.002

M962506-0020A
 SUPPORT BRACKET

36" SLIDE BAR
1660.236.002

M919211-0020A
 36" SLIDE BAR

M962507-0020A
 HAND SHOWER HOLDER

M950105-0070A
 HARDWARE KIT

M962506-0020A
 SUPPORT BRACKET

HOT LINE FOR HELP

For toll-free information and answers to your questions, call:
 1 (800) 442-1902
 Mon. - Fri. 8:00 a.m. to 8:00 p.m. EST
 Saturday 10:00 a.m. to 4:00 p.m. EST
 IN CANADA 1-800-387-0369
 (TORONTO 1-905-306-1093)
 Weekdays 8:00 a.m. to 7:00 p.m. EST
 IN MEXICO 01-800-839-1200



Product names listed herein are trademarks of AS America, Inc.
 © AS America, Inc. 2016

PART OF **LIXIL**