

INSTALLATION INSTRUCTIONS



Avery™ Stainless Steel Kitchen Sinks

30" Sink model 1180SB3020SS

36" Sink model 1180SB3620SS

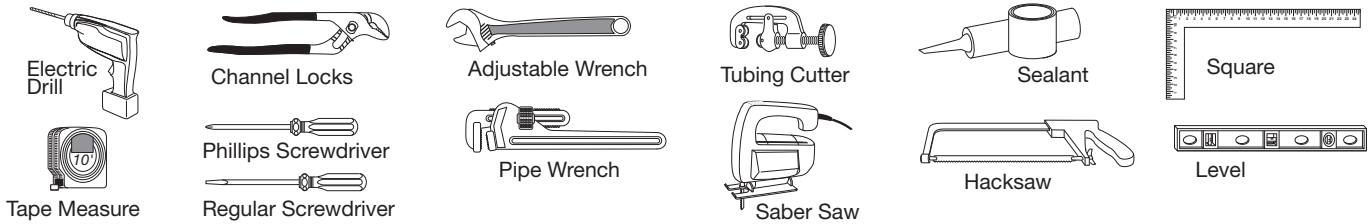
Thank you for selecting American Standard – the benchmark of fine quality for over 100 years. To ensure this product is installed properly, please read these instructions carefully before you begin. (Certain installations may require professional help.) Also be sure your installation conforms to local codes.

⚠ CAUTION: PRODUCT IS FRAGILE. TO AVOID BREAKAGE AND POSSIBLE INJURY HANDLE WITH CARE!

NOTE: Pictures may not exactly define contour of china and components.

RECOMMENDED TOOLS AND MATERIALS

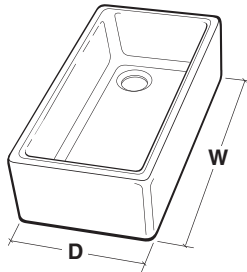
Most of the procedures require the use of common tools and materials, which are available from hardware and plumbing supply stores. It is essential that the tools and materials be on hand before work has begun.



SINK MODELS

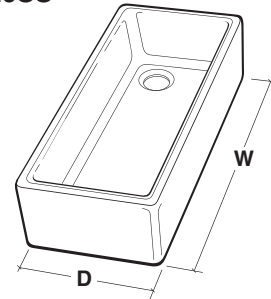
**30" Model
No. 1180SB3020SS**

D: 20" (508 mm)
W: 30" (762 mm)

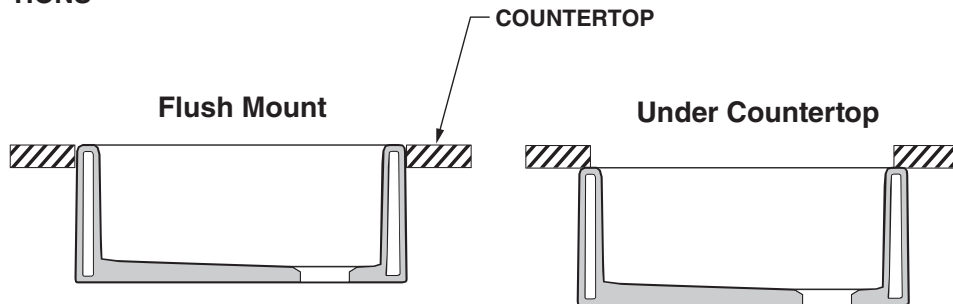


**36" Model
No. 1180SB3620SS**

D: 20" (508 mm)
W: 36" (914 mm)



MOUNTING OPTIONS



REPLACEMENT USE

When replacing an original unit be sure to shut off water supply before removing the sink or disconnecting water supply lines and drain fittings. Original supplies and shutoff valves should be replaced on installation.

SAVE FOR FUTURE USE

INSTALLATION PROCEDURES

Typical installation includes cabinet support preparation, installation of faucet and waste fitting, connection of flexible water supply lines, attachment of sink to cabinet, sizing and installation of drain and water supplies.

Sink Mounting Provisions

The cabinet area beneath the sink must be reinforced to provide sufficient support. The wood support frame for the sink must support 400 pounds (approximate weight of sink when full and garbage disposal installed).

CABINET SUPPORT PREPERATION

Important Note:

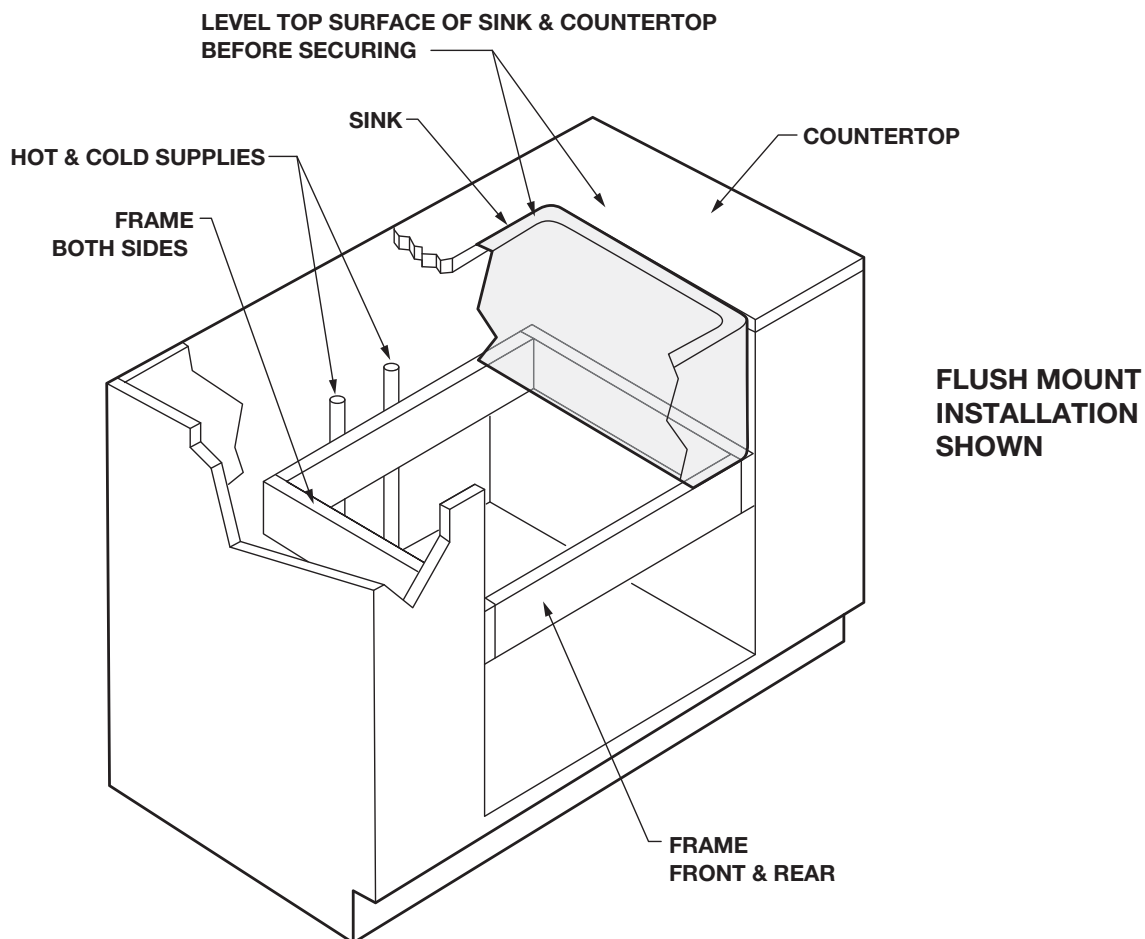
This installation assumes the use of a custom cabinet and countertop design. It is not designed for use with standard cabinet bases or standard countertops.

FLUSH MOUNT or UNDER COUNTERTOP INSTALLATIONS

1 WALL PREPARATION:

Determine if the sink will be flush mounted or under countertop mounted. **Next measure the actual size of the sink being installed to determine cabinet opening dimensions and support frame location.** The cabinet opening should equal dimensions of the sink to minimize the gap between the sink apron and cabinet.

The type of sink installation being performed will determine the support frame location.



2 SUPPORT FRAME

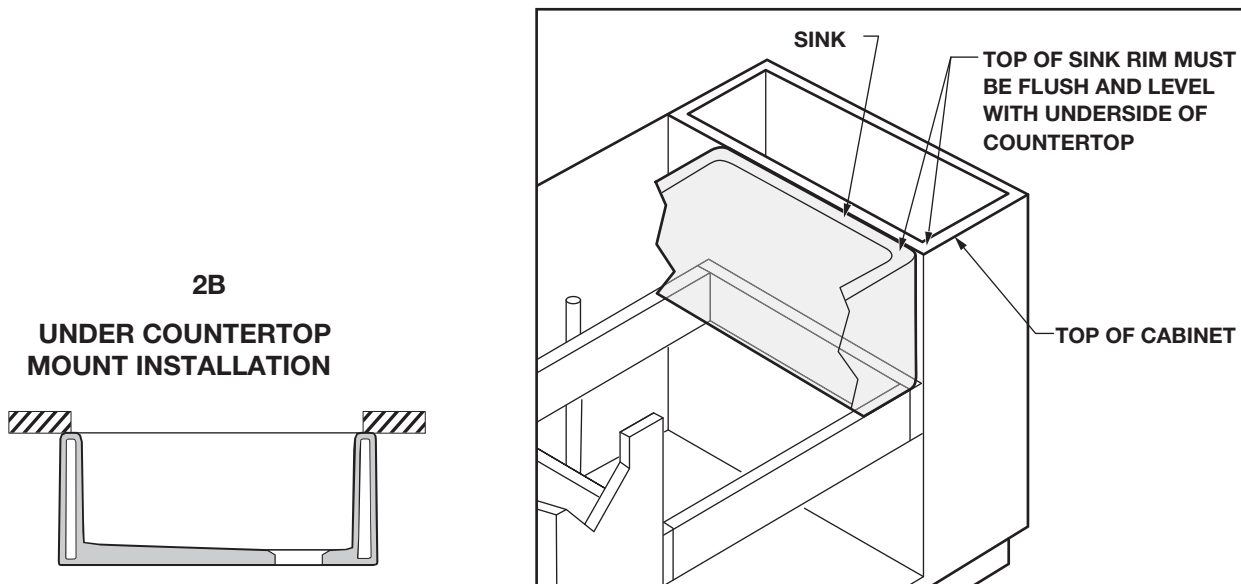
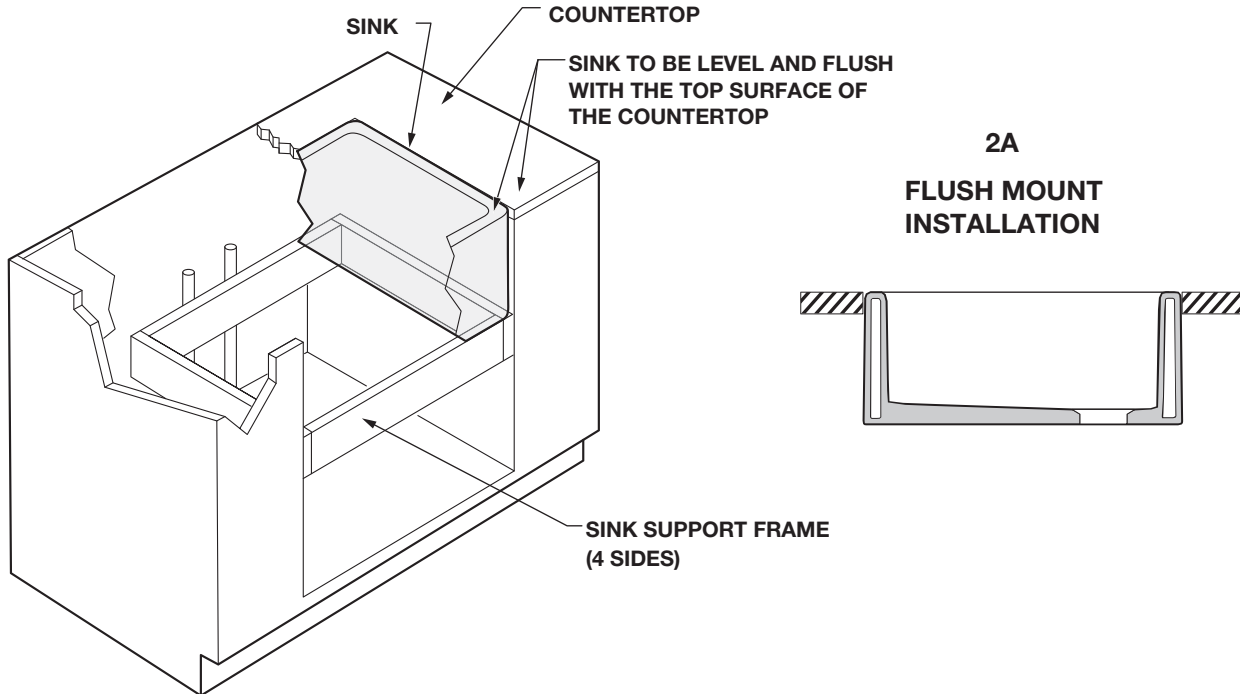
Construct a support frame to fit inside the cabinet opening. Provide appropriate clearance for faucet, water supply lines, drain assembly, garbage disposal and structural parts of the cabinet.

Flush Mount Installation Note:

Install the support frame so that the top rim of the sink, when placed within the frame, will be level and flush with the top surface of the countertop. See diagram **2A** below.

Under Countertop Mount Installation Note:

Install the support frame so that the top rim of the sink, when placed within the frame, is level and lush with underside of the countertop. See diagram **2B** below.



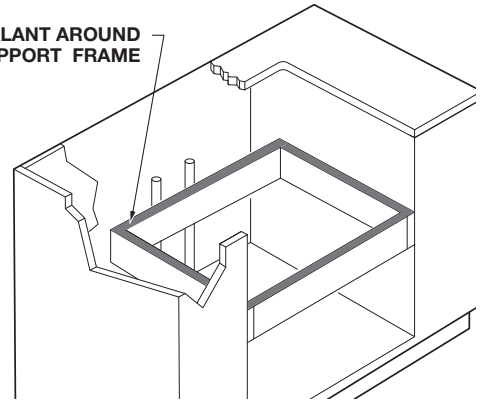
3 SINK INSTALLATION

CAUTION: Sinks are extremely heavy.
For personal safety, always use
extra personnel for installation.

STEP 1. Carefully set the sink within the support frame and position in center of cabinet opening. Check clearance around sink apron and ensure sink is centered within cabinet opening. Ensure sink base is making proper contact with support frame and countertop. Adjust or shim, as needed, to obtain proper sink position and fit.

STEP 2. Carefully remove sink and place a bead of sealant around top edge of support frame where the sink and frame will make contact. Then replace sink into position. See diagram below.

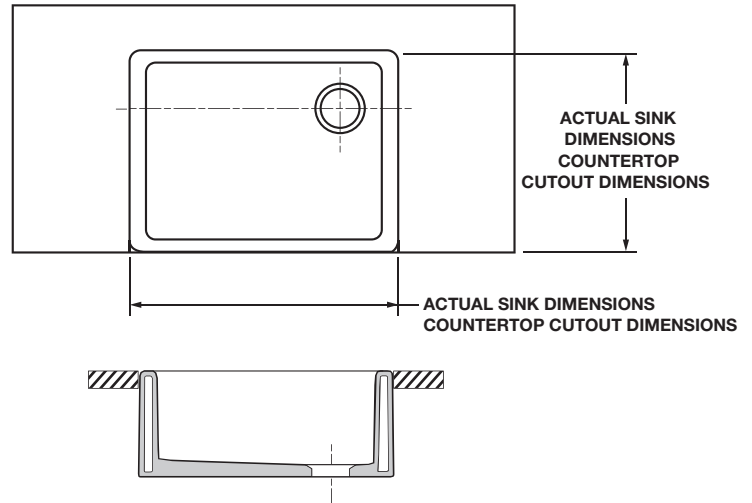
PLACE A THIN LAYER OF SEALANT AROUND
TOP EDGE OF SUPPORT FRAME



4A FLUSH MOUNT INSTALLATION

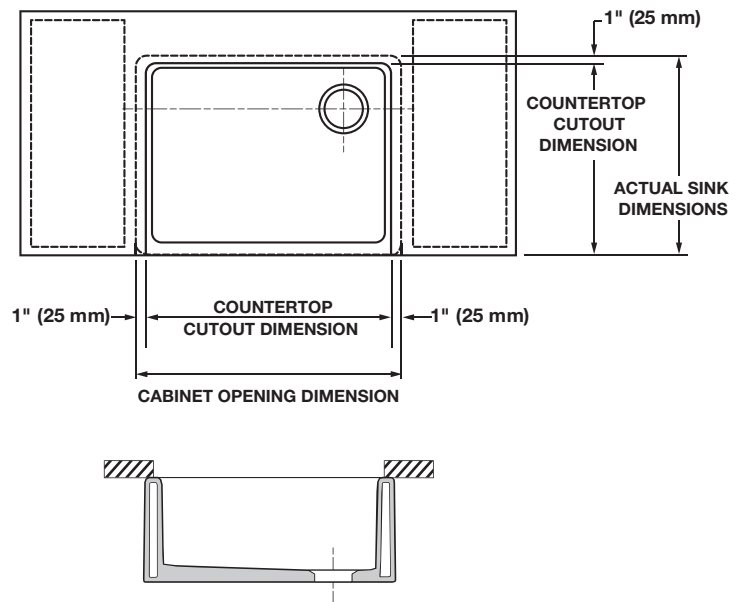
Using carpenter's square carefully measure and mark the location of the cutout opening in the countertop.

Note: Determine cutout opening from the actual sink size.
The cutout opening should equal the dimensions of the sink to minimize gap between the sink and the countertop opening.



4B UNDER COUNTERTOP INSTALLATION

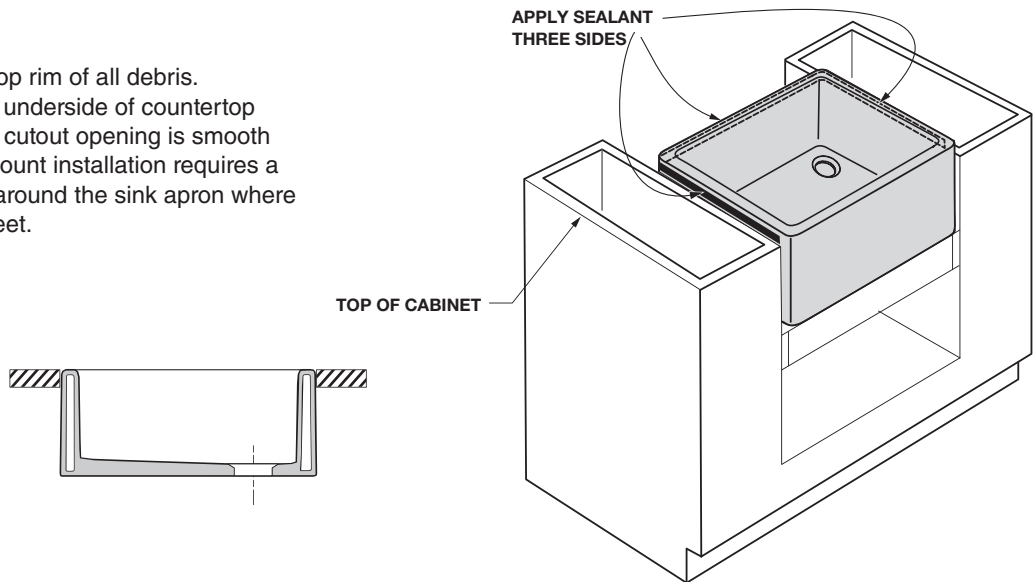
For under countertop installation, cutout opening is typically smaller than cabinet opening. The cutout size shall be determined by the preference of the customer. Carefully cut out the countertop opening. Opening must be adequately finished and sealed to prevent damage from water leaking.



5A APPLY SEALANT

For Flush Mount Sinks:

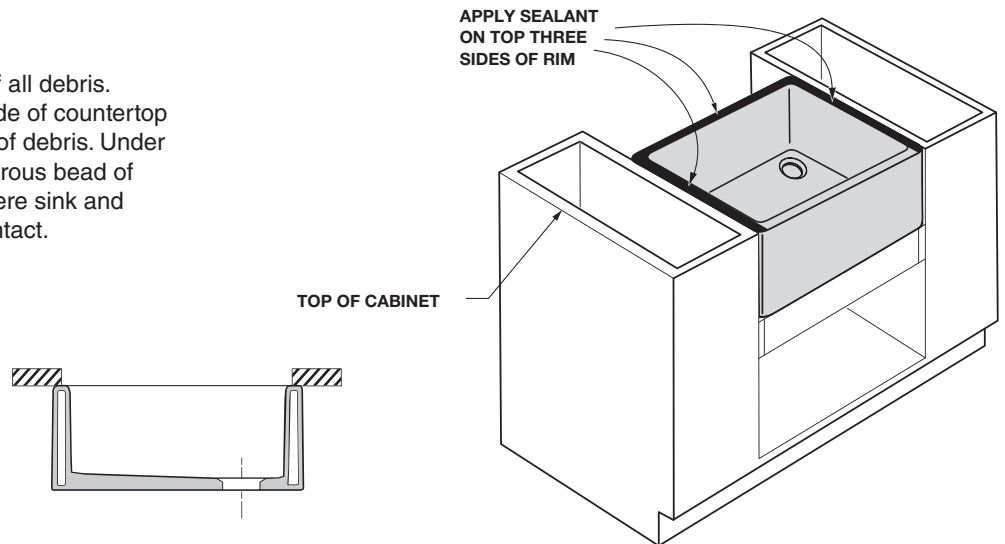
Clean the sink apron and top rim of all debris. Ensure that the surface on underside of countertop and around the countertop cutout opening is smooth and free of debris. Flush mount installation requires a generous bead of sealant around the sink apron where sink and countertop will meet.



5B APPLY SEALANT

For Under Counter Sinks:

Clean the sink apron and top rim of all debris. Ensure that the surface on underside of countertop cutout opening is smooth and free of debris. Under counter installation requires a generous bead of sealant around the sink top rim where sink and countertop underside will make contact.



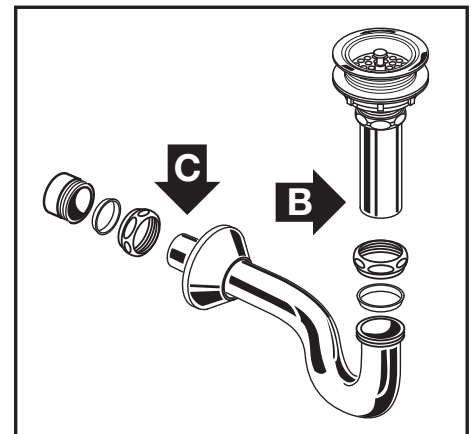
6 INSTALL COUNTERTOP

Carefully position and install the countertop. Ensure the sealant provides a complete seal between the sink and the countertop surface. Fill any voids and wipe excess away with soft damp cloth.

7 ASSEMBLE AND INSTALL P-TRAP AND DRAIN CONNECTIONS

Assemble and install P-trap drain connections in accordance with manufacturer's instructions. Connect trap to drain assembly hand tight to check alignment. It may be necessary to cut off part of the tailpiece (area "B") or part of the horizontal leg of the trap (area "C"). Secure joints for watertight assembly.

NOTE: P-trap, drain connections and faucet are not included.



8 INSTALL FAUCET

Carefully locate and install faucet to countertop in accordance with manufacturer's instructions. Ensure you provide adequate clearance for supply lines and faucet operation.

Connect supply lines to shutoff valves. Turn on water supply valves and water-test installation.

AS AMERICA, INC. LIMITED LIFETIME WARRANTY FOR STAINLESS STEEL KITCHEN SINKS

If an AS America, Inc. ("American Standard") stainless steel kitchen sink is found to be defective in materials or workmanship, after inspection by an authorized American Standard representative, American Standard will repair or, at its option, exchange the product for a similar model. This limited warranty is applicable under normal personal residential use, so long as it remains in use in its original place of installation.

This limited warranty applies only to the original purchaser and installation of these products. This warranty is non-transferable to subsequent purchasers or owners. The sole exception to the non-transferability of this warranty is that if this product is purchased by a plumber, contractor or other service provider, this warranty extends to the first owner on whose behalf the product was purchased for installation. This warranty applies only to sinks installed in the United States of America, Canada or Mexico. In the event of a limited warranty claim, proof of purchase will be required—save sales receipt and other product identifying information.

The limited lifetime warranty does not apply to commercial installations. Commercial use is defined as installations in apartments and other rental units, non-residential facilities, hotels, commercial businesses and/or other public accommodations. The warranty for commercial installations is three (3) years under normal use, and is otherwise subject to all the same exclusions and limitations identified herein.

This limited warranty does not apply to local building code compliance. Since local building codes vary considerably, the purchaser of this product should check with a local building or plumbing contractor to assure local code compliance before installation.

This limited warranty is void if the stainless steel kitchen sink has been moved from its initial place of installation; if it has been subjected to faulty maintenance, abuse, misuse, accident or other damage; if it was not installed in accordance with American Standard's instructions; or if it was modified in a manner inconsistent with the product as shipped by American Standard. American Standard's option to repair or exchange the product under this limited warranty does not cover any labor or other costs of removal or installation.

TO THE EXTENT PERMITTED BY LAW, THIS WARRANTY IS EXCLUSIVE AND IN LIEU OF ALL OTHER WARRANTIES, WHETHER ORAL OR WRITTEN, STATUTORY, EXPRESS OR IMPLIED. AMERICAN STANDARD HEREBY EXCLUDES SPECIAL, INCIDENTAL AND CONSEQUENTIAL DAMAGES FOR ANY BREACH OF ANY EXPRESS OR IMPLIED WARRANTY APPLICABLE TO THIS PRODUCT.

Some states do not allow the exclusion or limitation of incidental or consequential damages, so the above limitations and exclusions may not apply to you. This warranty gives you specific legal rights, and you may also have other rights which vary from state to state (or province, as applicable).

OBTAINING WARRANTY SERVICE

If you believe that you have a warranty claim, contact American Standard, either through an authorized AS America, Inc. dealer or re-seller, or by writing:

In the United States:
American Standard Brands
1 Centennial Ave.
Piscataway, New Jersey 08854
Attention: Director of Customer Care

For residents of the United States, warranty information may also be obtained by calling the following toll free number: (800) 442-1902
www.americanstandard.com

In Canada:
AS Canada, ULC
5900 Avebury Rd.
Mississauga, Ontario
Canada L5R 3M3

Toll Free: (800) 387-0369
www.americanstandard.ca

In Mexico:
American Standard B&K Mexico
S. de R.L. de C.V.
Via Morelos #330
Col. Santa Clara
Ecatepec 55540 Edo. Mexico

Toll Free: 01-800-839-1200
www.americanstandard.com.mx

Please be sure to provide all pertinent information regarding your claim, including a complete description of the problem, the product, model number, color, finish, purchase date, and from whom the product was purchased.