

INSTALLATION INSTRUCTIONS

PASSAGE™ SHOWER BASES

MODELS: A8010T-RHO, A8010T-LHO, A8011T-RHO, A8011T-LHO, A8012T-CO

American Standard

Visit <http://www.americanstandard-us.com/passage-collection> for coordinating products.

Thank you for selecting American Standard – the benchmark of fine quality for over 100 years. To ensure this product is installed properly, please read these instructions carefully before you begin. (Certain installations may require professional help.)

Local building codes vary by location. Observe all local plumbing and building codes.

TOOLS & MATERIALS REQUIRED....

TOOLS:

- Level
- Pencil
- Square
- Tape Measure
- Pipe Wrench
- Slip Joint Pliers
- Screw Driver
- Standard Woodworking Tools
- Personal Safety Equipment
- Caulking Gun

MATERIALS:

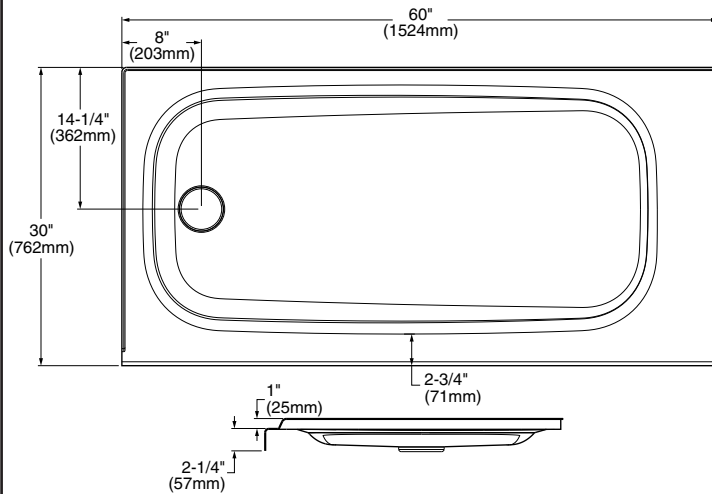
- Silicone Sealant
- Drop Cloth
- Mortar Mix or Grout

NOTE: Read instructions completely before proceeding with installation.

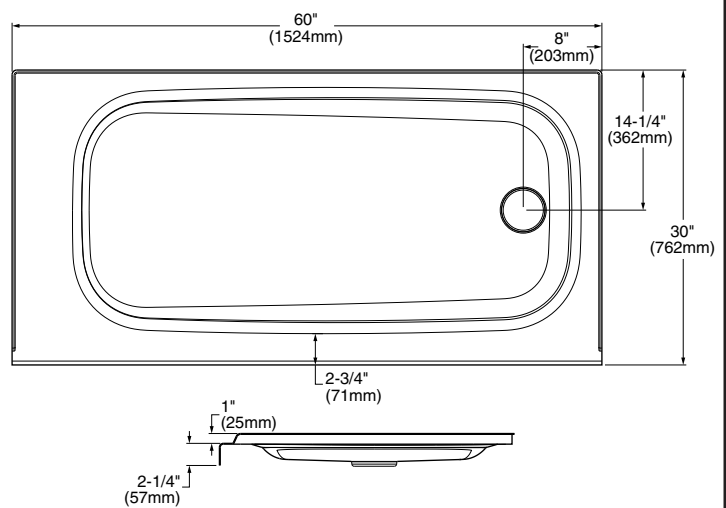
The opening dimensions should be at least 1/8" (3mm) larger than dimensions shown.

For the best fit, the opening measurements should be verified against the actual shower base received.

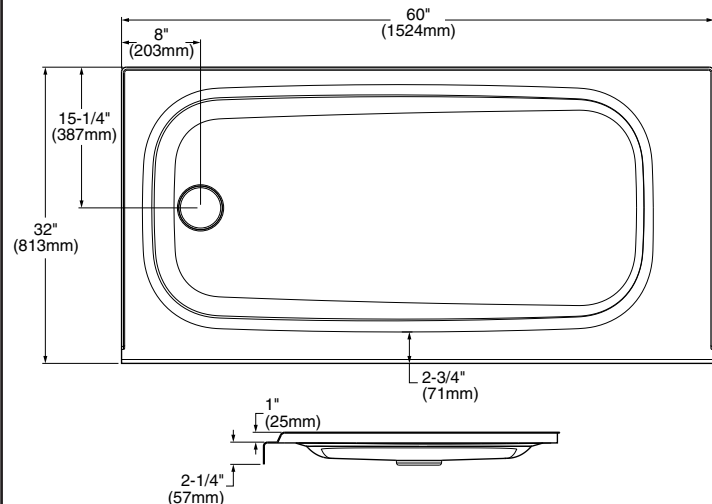
A8010T-LHO



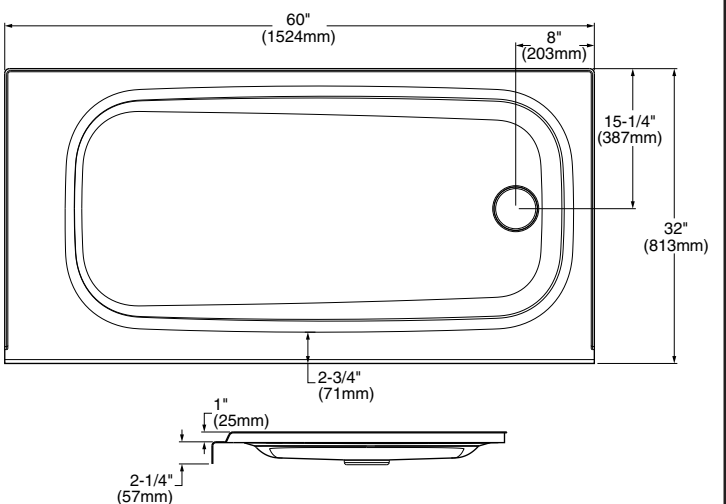
A8010T-RHO



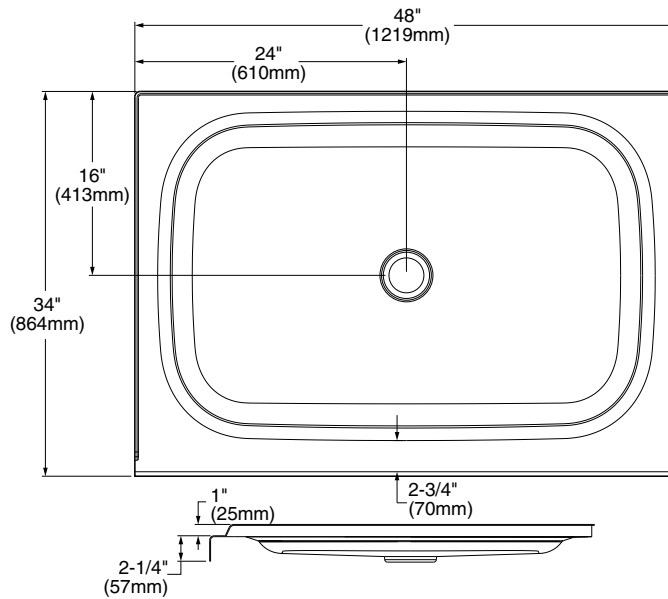
A8011T-LHO



A8011T-RHO



A8012T-CO



1

Ensure that the floor and stud walls are square and plumb on a level floor as shown in Figure A. Provide a 5" x 5" (127 x 127mm) opening in the floor for the drain and refer to the product rough-in for actual drain location. Draw a line 3-1/4" (82mm) above the level subfloor on the wall studs at each side of the opening.

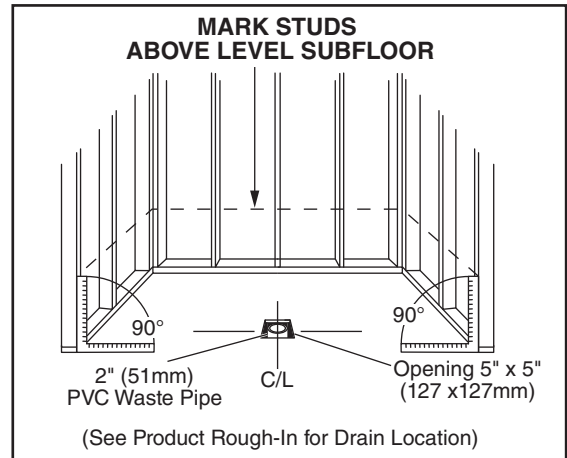


FIGURE A

2

All of the shower bases require purchasing a round shower strainer type drain for use with a standard 2" (51mm) plastic schedule 40 waste pipe. Figure B shows the typical drain assembly. Before installing drain into the shower base, remove strainer (Fig B). This will be installed after shower base is in its final position. Cut the waste pipe height so that the drain body will fit snug in the shower base. Apply silicone sealant between the drain body and shower base.

NOTE: Drain not included and must be purchased separately.

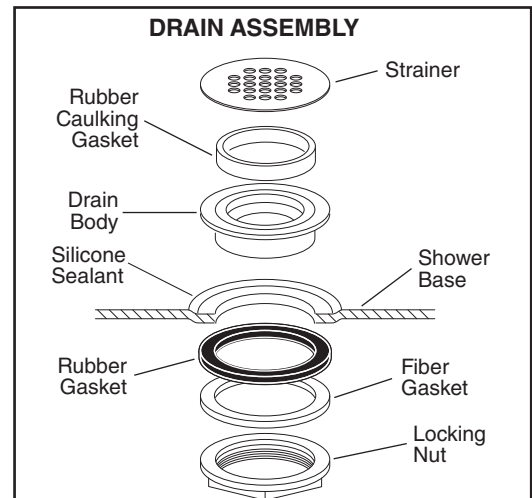
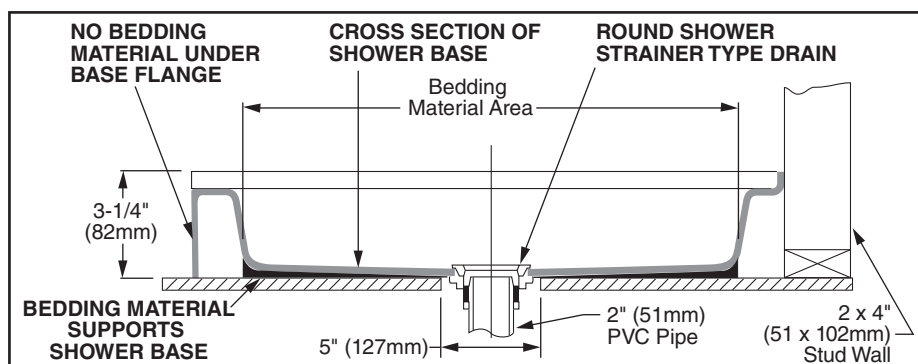


FIGURE B

3

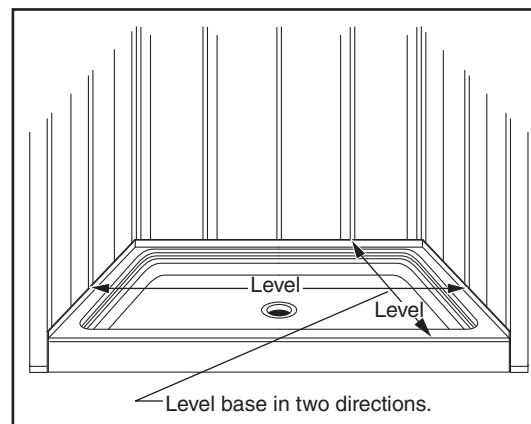
Mix a non-shrinking bedding material such as mortar and apply enough bedding material to support the entire bottom of the shower base. **Concrete is NOT recommended. The shower base is NOT to be supported by the base flange.**

**FIGURE C****4**

After the bedding material has been poured and before it sets, lower the shower base into position with the drain assembly sliding over the waste pipe (Fig. C). It will be necessary to "rock" the shower base until the top of the tile flange aligns with the lines drawn on the stud walls from Step 1. Make sure the apron is contacting the rough floor along the entire length of the shower base and ensure that the base is level in two directions as shown in Figure D.

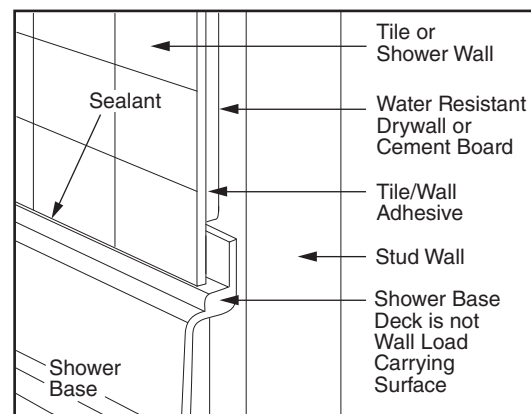
Note: Allow the bedding material to completely harden before applying weight to the bottom of the shower base.

Place strainer back into place and conduct a water test of drain and plumbing to ensure there are no leaks.

**FIGURE D****5**

Tape over the shower base drain strainer to protect the finish and prevent construction debris from entering the drain. Finish the shower base installation. Any finish material such as shower wall tile or wallboard must be self-supporting if it contacts the deck of the shower base as shown in Figure E.

Install the water resistant drywall while keeping approximately 1/4" (6mm) to 1/2" (13mm) of clearance between the shower base and drywall to prevent any possible water from wicking.

**FIGURE E**

POST INSTALLATION CLEAN-UP

Remove all construction debris. Tile grout can be removed with a wooden popsicle stick or tongue depressor. Do not use wire brushes or any other metal implement on surface.

Post installation clean-up generally can be completed using warm water and liquid dishwashing detergent. Stubborn dirt or stains may be removed using granular Spic and Span® mixed with water.

Painter's naphtha can be used to remove excess adhesives and/or wet oil-base paint.

AFTERCARE and CLEANING

⚠ WARNING: Cleaning products with labels that say "not suitable for use with acrylic" **SHOULD NOT BE USED**. Read all labels carefully.

- Excessively hot water may cause surface damage.
- **HARSH CHEMICALS SHOULD NEVER BE USED ON SHOWER BASE SURFACE.** Clean after use with a mild liquid household detergent cleaner. Do not use Lestoil, Lysol Disinfectant (spray or concentrate), or Lysol Basin, Tub and Tile Cleaner, Windex, Mr. Clean, Dow Disinfectant Bathroom Cleaner, or cleaning products in aerosol cans.
- Do not use wire brushes, knives or sharp objects to remove stains, cigarette tar deposits, or other surface blemishes.
- Abrasive cleaners or powders must not be used, since they will dull the surface. If the glossy surface loses its sheen, dulled areas or light scratches can be restored by rubbing with a white "automotive type" polishing compound and waxing with a "liquid wax."
- **Do not wax areas where you walk or stand.**
- Do not allow nail polish remover, acetone, dry cleaning fluid, paint remover or other solvents to come into contact with the surface.
- Clean the surrounding surface immediately after using caustic drain cleaners.
- Burning cigarettes will damage the surface.
- Should damage to the fixture occur, repairs can be made quickly and easily. Your distributor or builder can provide details.

AS America, Inc. Limited Lifetime Warranty for Shower Bases

AS America, Inc. ("American Standard") warrants to the original consumer purchaser that it will, at its option, repair or replace this shower base – American Standard, in its sole judgment, to be defective under normal residential use and maintenance so long as it is owned by the original consumer purchaser.

To activate this limited warranty, the purchaser must go online to our website at www.americanstandard-us.com/warranty to register their shower base within thirty (30) days of purchase.

In no event will American Standard be liable for the cost of repair or replacement of any installation materials including but not limited to tile, marble, etc.

This limited warranty does not apply to Commercial Installations. The warranty for Commercial Installations is three (3) years.

This limited warranty DOES NOT COVER the following:

1. Defect or damages arising from shipping, installation, alterations, accidents, abuse, misuse, lack of proper maintenance and cleaning as directed in the Installation Instruction Manual and use of other than genuine American Standard replacement parts, in all cases whether caused by a plumbing contractor, service company, the owner or any other person.
2. Deterioration through normal wear and tear and the expense of normal maintenance.
3. Commercial application.
4. Options and accessories. American Standard's limited warranty on these items is **one year for parts only and excludes labor**. This one year limited warranty covers accessories manufactured by American Standard (e.g. aprons, drains, grab bars, heaters, trim kits) against defects of material or workmanship. Warranty coverage begins on the date the accessory was originally purchased by the owner.
5. Shipping cost for returning products for repairs or replacement under the limited warranty and labor or other cost incurred in connection with product removal or installation under this limited warranty.
6. ANY LIABILITY FOR CONSEQUENTIAL OR INCIDENTAL DAMAGES, ALL OF WHICH ARE HEREBY EXPRESSLY DISCLAIMED, OR THE EXTENSION BEYOND THE DURATION OF THIS LIMITED WARRANTY OF ANY IMPLIED WARRANTIES, INCLUDING THOSE OF MERCHANTABILITY OR FITNESS FOR AN INTENDED PURPOSE. (Some jurisdictions do not allow limitations on how long an implied warranty lasts, or the exclusion or limitation of incidental or consequential damages, so these limitations and exclusions may not apply to you.)
7. Responsibility for compliance with local code requirements. (Since local code requirements vary greatly, distributors, retailers, dealers, installation contractors and users of plumbing products should determine whether there are any code restrictions on the installation or use of a specific product.)

This limited warranty gives you specific legal rights. You may have other statutory rights that vary from state to state or from province to province, in which case this warranty does not affect such statutory rights.

For service under this warranty, it is suggested that a claim be made through the contractor or dealer from or through whom the product was purchased, or that a service request (including a description of the product model and of the defect) be sent to the following address:

In the United States:

American Standard Brands
1 Centennial Ave
Piscataway, New Jersey 08854
Attention: Director of Consumer Affairs

For residents of the United States, warranty information may also be obtained by calling the following toll free number: (800) 442-1902
www.americanstandard.com

In Canada:

LIXIL Canada ULC
5900 Avebury Rd.
Mississauga, Ontario
Canada L5R 3M3

Toll Free: (800) 387-0369
www.americanstandard.ca

In Mexico:

American Standard B&K Mexico
S. de R.L. de C.
Via Morelos #330
Col. Santa Clara
Ecatepec 55540 Edo. Mexico

Toll Free: 01-800-839-1200
www.americanstandard.com.mx