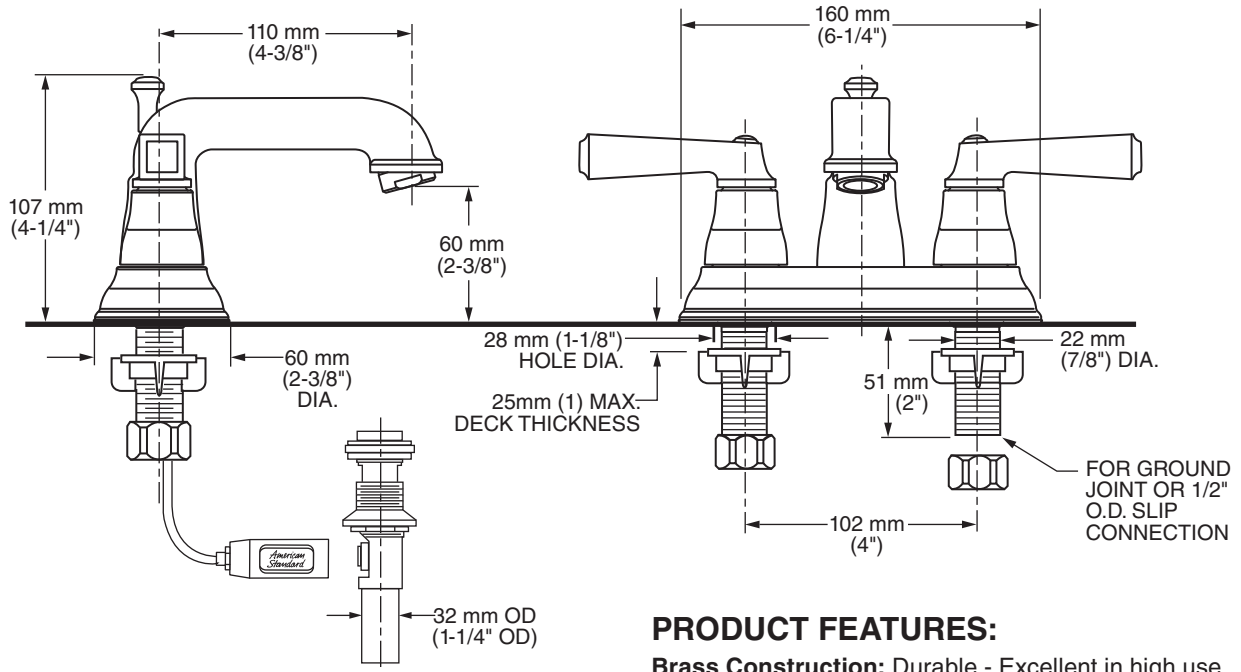


**MODEL NUMBER:**

- **2555.201 Town Square Two-Handle Centerset**  
 Pop-up drain. Metal lever handles.



**GENERAL DESCRIPTION:**

Durable cast brass construction throughout. 1/4 turn washerless ceramic disc valve cartridges. One-half inch male inlet shanks. 20 inch (500 mm) long flexible stainless steel drain cable is pre-assembled to spout. Metal Speed Connect® drain body with 1-1/4 inch (32 mm) tail piece. 1.2 gpm/4.5 L/min. maximum flow rate.

**PRODUCT FEATURES:**

**Brass Construction:** Durable - Excellent in high use applications. Ideal for prolonged contact with water. Provides the finest surface for application of all colors and finishes.

**Ceramic Disc Valve Cartridge:** Assures a lifetime of drip-free performance.

**Exclusive Speed Connect Metal Drain:**

- Fewer parts. Installs in less time.
- No adjustments required - seals the first time, every time.
- Flexible stainless steel cable - installs effortlessly in tight spaces.

**Lead Free:** Faucet contains ≤ 0.25% total lead content by weighted average.

**SUGGESTED SPECIFICATION**

4" centerset lavatory faucet shall feature cast brass construction. Shall also feature 1/4 turn washerless ceramic disc valve cartridges. Shall also feature a metal drain body with stainless steel cable actuation. Fitting shall be American Standard Model # 2555.201.\_\_\_\_\_.



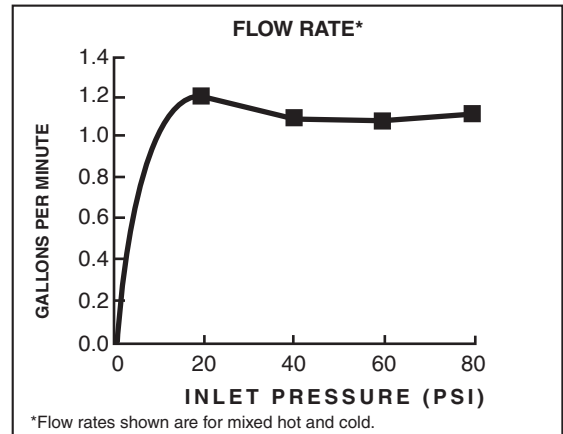
# TOWN SQUARE®

## TWO-HANDLE CENTERSET LAVATORY FAUCET WITH BRASS SPOUT

### CODES AND STANDARDS

These products meet or exceed the following codes and standards:

- ANSI A117.1
- ASME A112.18.1
- CSA B125.1
- NSF 61/Section 9 and Annex G



Product Number	Description	Finish Options		
		Polished Chrome	Oil Rubbed Bronze	PVD Brushed Nickel
		002	224	295
2555.201	Town Square Two-Handle Centerset with metal Speed Connect® pop-up drain. Metal lever handles.			

Meets the American Disabilities Act Guidelines and ANSI A117.1 Requirements for the physically challenged.

AERATOR MODIFICATIONS***	Parts Suffix**
0.5 gpm (1.9 Lpm) PCA* Spray	___F05
1.0 gpm (3.8 Lpm) PCA Aerator	___F10

AVAILABLE MODIFICATIONS***	Parts Suffix**
Less Pop-Up Drain Less Hole	___LDH

\*PCA — Pressure Compensating

\*\*To modify a product, add suffix after the 4th digit (ex. 2064**F05**101.002)

\*\*\*Modified product models are **NOT** WaterSense certified.