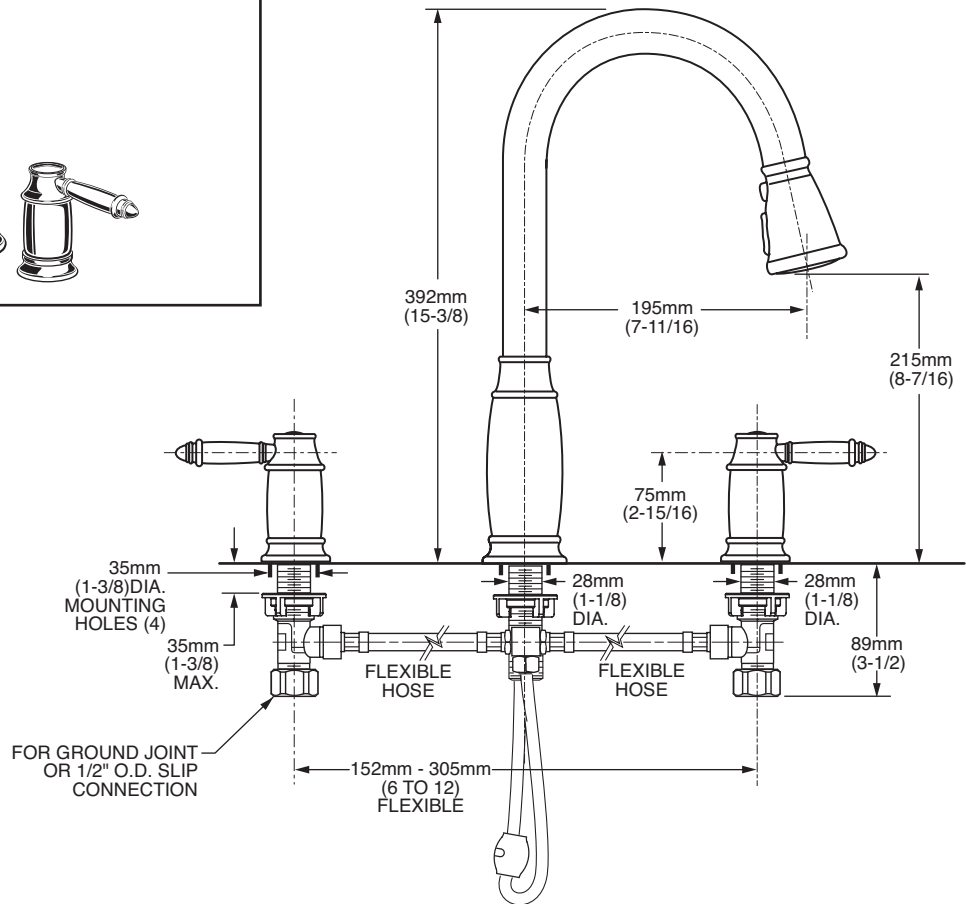




MODEL NUMBER:

- 4462F Pull Down Kitchen Faucet
Finish (Chrome or Stainless Steel)



GENERAL DESCRIPTION:

Durable construction and metal lever handles. Cast brass valve bodies with flexible hose connections for 6" to 12" (152mm to 305mm) installations. One-half inch male inlet shanks with brass coupling nuts. 1/4 turn washerless ceramic disc valve cartridges. 2.2gpm /8.3 L/min maximum flow rate.

PRODUCT FEATURES:

- Brass Construction:** Ideal for prolonged contact with water.
- Ceramic Disc Valve Cartridges:** Assure a lifetime of smooth handle operation and drip-free performance.
- Low Lead:** Meets NSF Standard 61/Section 9 & Prop 65 lead requirements.
- Pull-down Spray:** Adjustable spray pattern-stream to spray.
- Integral Check Valves:** Prevents back flow.
- Finish:** Polished Chrome.

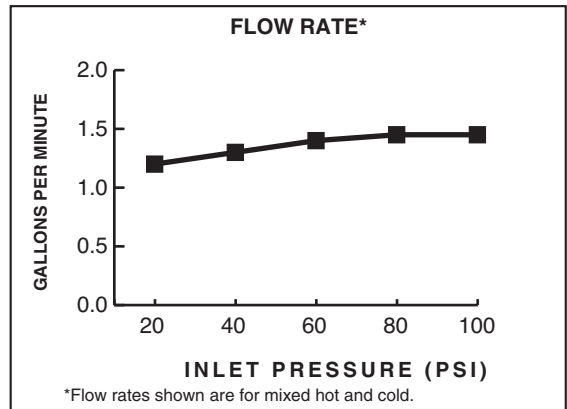
SUGGESTED SPECIFICATION:

Dual control kitchen faucet shall feature durable construction with pull-down spray. Faucet shall feature brass spout and cast brass valve bodies with flexible hose connections for 6" to 12" installations. Shall feature 1/4 turn washerless ceramic disc valve cartridges. Fitting shall be American Standard Model # 4462F. _____


CODES AND STANDARDS

These products meet or exceed the following codes and standards:

- ANSI A117.1**
- ASME A112.18.1**
- NSF 61/Section 9**
- CSA B125**



Product Number	Description	Finish
		Polished Chrome
		002
4462F	Pull-down Kitchen Faucet	

 Meets the American Disabilities Act Guidelines and **ANSI A117.1** Requirements for the physically challenged.