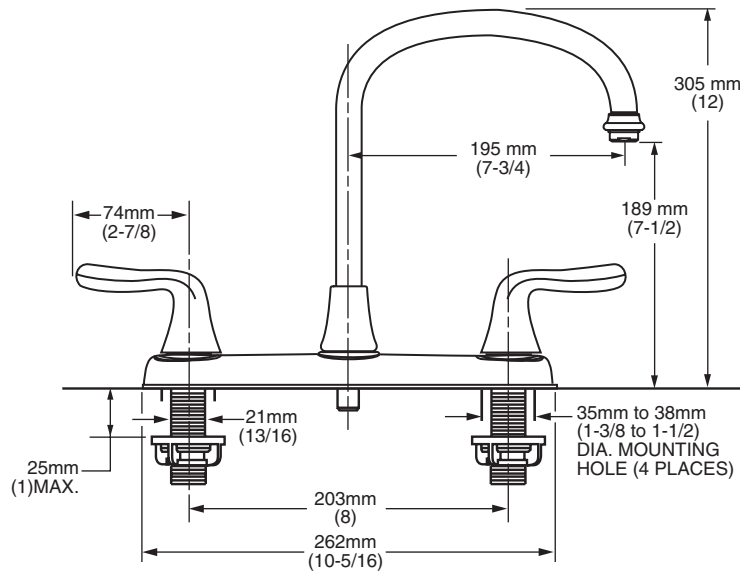




MODEL NUMBER:

- ❑ **6424 Kitchen Faucet**
Metal Lever Handles. Less Handspray.
Polished Chrome finish.



GENERAL DESCRIPTION:

Durable brass construction. 1/4 turn washerless ceramic disc valve cartridges. Durable cast brass waterway with 1/2" male inlet shanks. Brass gooseneck swivel spout. Metal escutcheon plate (escutcheon size 10-5/16"L x 2-3/8"W). 2.2gpm/8.3L/min. maximum flow rate. Metal lever handles.

PRODUCT FEATURES:

Ceramic Disc Valve Cartridges: Assures a lifetime of smooth handle operation and drip-free performance.

Cast Brass Waterways: Strong and durable. Integral tabs on casting provide a wobble-free installation.

Low Lead: Meets NSF Standard 61/Section 9 & Prop 65 lead requirements.

Simple Installation: Fast and easy one person installation. Faucet drops in from top. Quick spin nuts secure faucet in place.

Lifetime Warranty: On Function and Finish.

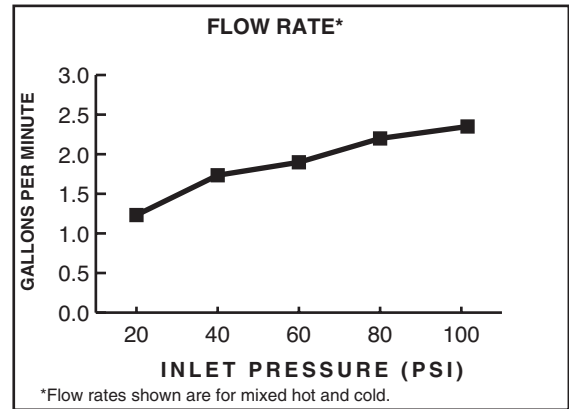
SUGGESTED SPECIFICATION:

Two handle kitchen faucet shall feature a cast brass waterway. Shall also feature 1/4 turn washerless ceramic disc valve cartridges that are reversible for use on either "hot" or "cold" side. Brass gooseneck swivel spout. Fitting shall be American Standard Model #6424.

CODES AND STANDARDS

These products meet or exceed the following codes and standards:

- ASME A112.18.1**
- CSA B 125**
- NSF 61/Section 9**
- ANSI A117.1**



Product Number	Description
6424	Kitchen faucet. Metal Lever handles. Less Handspray. Polished Chrome Finish.



Meets the American Disabilities Act Guidelines and **ANSI A117.1** Requirements for the physically challenged.