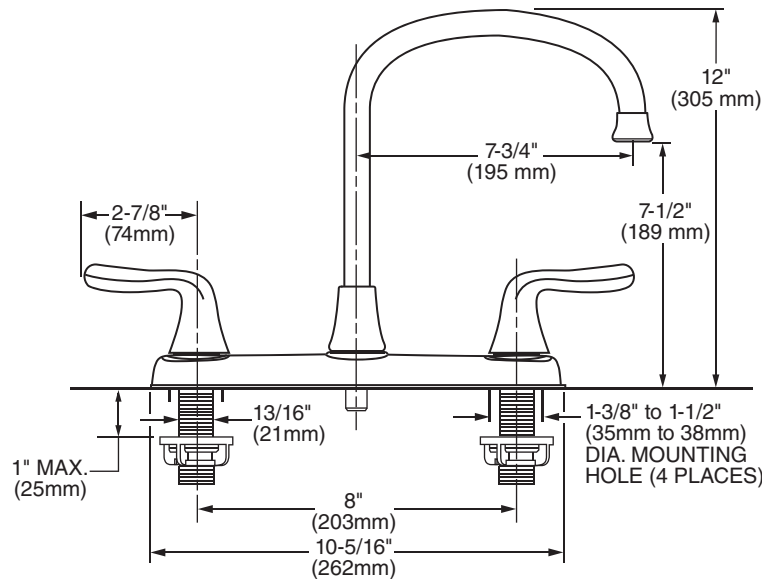




MODEL NUMBER:

- ❑ **6424F Kitchen Faucet**
Lever handles. Less handspray.
Polished Chrome finish. SKU #239-984.



GENERAL DESCRIPTION:

Durable brass construction. 1/4 turn washerless ceramic disc valve cartridges. Durable cast brass waterway with 1/2" male inlet shanks. Brass gooseneck swivel spout. Metal escutcheon plate (escutcheon size 10-5/16"L x 2-3/8"W). 1.8gpm/6.8L/min. maximum flow rate. Lever handles.

PRODUCT FEATURES:

Simple Installation: Fast and easy one person installation. Faucet drops in from top. Quick Spin™ Nuts secure faucet in place.

Ceramic Disc Valve Cartridges: Assures a lifetime of smooth handle operation and drip-free performance.

Cast Brass Waterways: Strong and durable. Integral tabs on casting provide a wobble-free installation.

Lead Free: Faucet contains ≤ 0.25% total lead content by weighted average.

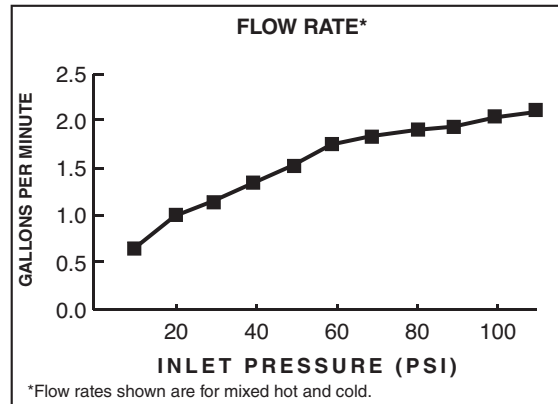
SUGGESTED SPECIFICATION:

Dual control kitchen faucet shall feature a cast brass waterway. Shall also feature 1/4 turn washerless ceramic disc valve cartridges that are reversible for use on either "hot" or "cold" side. Brass gooseneck swivel spout. Fitting shall be American Standard Model #6424F, SKU #239-984.


CODES AND STANDARDS

These products meet or exceed the following codes and standards:

- ASME A112.18.1
- CSA B 125
- NSF 61/Section 9
- ANSI A117.1



Product Number	Description
6424F	Kitchen faucet. Lever handles. Less handspray. Polished Chrome finish. SKU #239-984.

 Meets the American Disabilities Act Guidelines and **ANSI A117.1** Requirements for the physically challenged.