

**TITAN™ PRO ELONGATED TRIANGLE TOILET**

**2842.016**

- Vitreous china
- Extended footprint for easier remodeling
- Top rated performance
- Low-consumption (6.0 Lpf/1.6 gpf)
- Features **ProOne™ Flushing System**
- 3" flush valve with chlorine resistant flapper
- Elongated dual water-jet feed™ bowl
- 2-1/8" fully-glazed trapway
- Side-mounted trip lever
- Concealed sanitary bar
- Stabilizer bars for rigid tank to bowl support
- 100% factory flush tested
- 2 color-matched bolt caps
- 10 year warranty

**3893.016** Bowl

**4338.016** Triangle Tank



**Nominal Dimensions:**

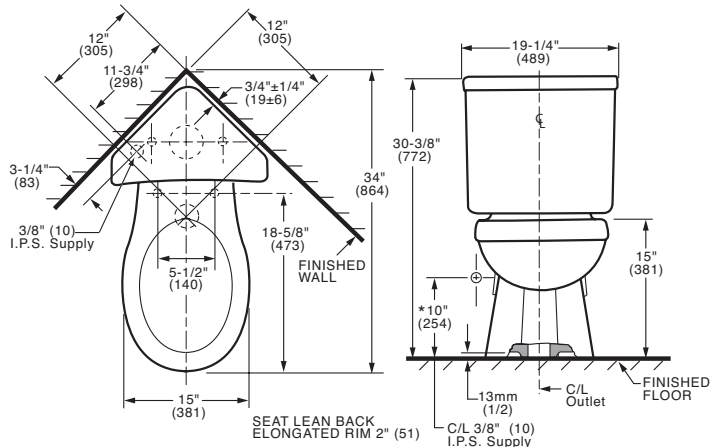
864 x 489 x 772mm  
 (34" x 19-1/4" x 30-3/8")

Fixture only, seat and supply by others

**Compliance Certifications -**

**Meets or Exceeds the Following Specifications:**

- ASME A112.19.2M for Vitreous China Fixtures- includes Flush Performance, Ball Pass Diameter, Trap Seal Depth and all Dimensions
- Los Angeles Department of Water and Power Supplementary Purchase Specification for Non-Adjustability - July, 2003 revision



**To Be Specified:**

- Color:
  - White  Bone  Linen
- Trip Lever 4952777-XX:
  - 00 White (supplied with White tanks)
  - 82 Bone (supplied with Bone tanks)
  - 96 Linen (supplied with Linen tanks)
  - 4952778-00 Chrome
- Seat:
  - EverClean™ Elongated Seat, with Cover and Slow Close Snap-Off Hinges #5321.110
  - Supply with Stop (by other):

**NOTES:**

THIS TOILET IS DESIGNED TO ROUGH-IN AT A MINIMUM DIMENSION OF 305MM (12") FROM FINISHED WALL TO C/L OF OUTLET. SUPPLY NOT INCLUDED WITH FIXTURE AND MUST BE ORDERED SEPARATELY.  
 \* DIMENSION SHOWN FOR LOCATION OF SUPPLY IS SUGGESTED.

**IMPORTANT:** Dimensions of fixtures are nominal and may vary within the range of tolerances established by ANSI Standard A112.19.2. These measurements are subject to change or cancellation. No responsibility is assumed for use of superseded or voided pages.

