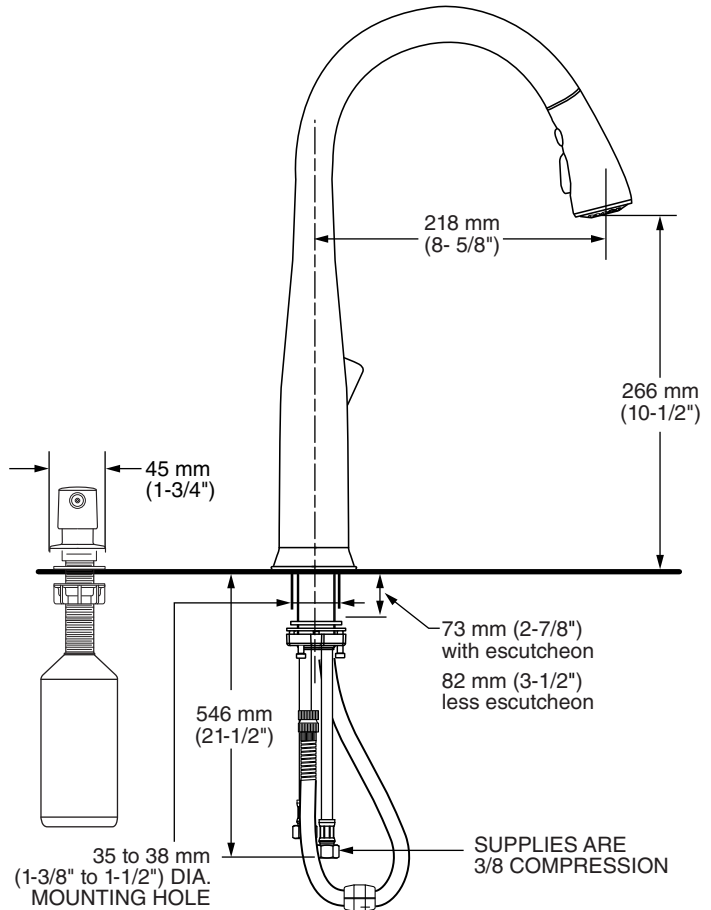
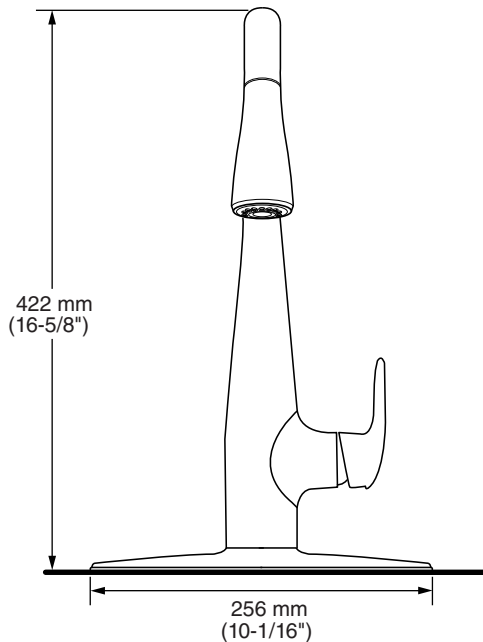




MODEL NUMBER:

- 4144SSF Pull-Down Kitchen Faucet with Soap Dispenser. Stainless Steel Finish. SKU #1001-305-785



GENERAL DESCRIPTION:

Zinc diecast body with brass swivel spout and metal lever handle. Metal deck plate included (use is optional) for single or three hole installation. Pull-down spray with adjustable spray pattern and push button activation. Washerless 35 mm ceramic disc valve cartridge. Braided nylon pull-down hose complete with two integral check valves. Braided flexible supply hoses with 3/8" compression connectors. 1.8 gpm/6.8 Lmin. maximum flow rate.

PRODUCT FEATURES:

- Ceramic Disc Valve Cartridge:** Assures smooth, precise valve control and a lifetime of drip-free, maintenance-free performance.
- Memory Position Valving:** Allows user to turn valve on and off at preferred temperature setting without readjusting handle position each time.
- Lead Free:** Faucet contains ≤ 0.25% total lead content by weighted average.
- Pull-Down Spray:** Adjustable spray pattern-stream to spray.
- Integral Check Valves:** Prevents back flow.
- Re-Trax™ Docking System:** Pulls-out effortlessly, retracts with ease, docks completely.

SUGGESTED SPECIFICATION

Single control kitchen faucet shall feature a metal lever handle and pull-down spray. Shall also feature washerless ceramic disc valve cartridge, flexible supply hoses and two integral check valves. Fitting shall be American Standard Model # 4144SSF. SKU # 1001-305-785.



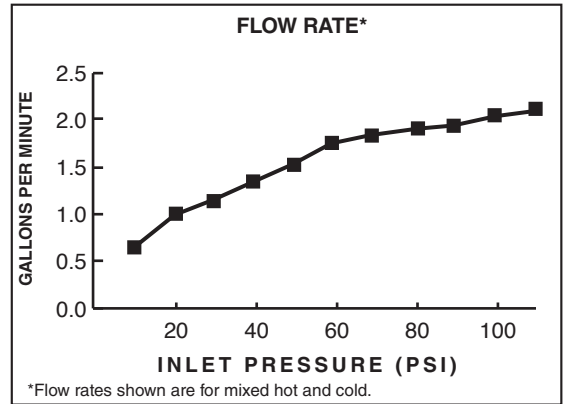
LILLIAN™

SINGLE CONTROL KITCHEN FAUCET WITH PULL-DOWN SPRAY


CODES AND STANDARDS

These products meet or exceed the following codes and standards:

- ANSI A117.1
- ASME A112.18.1
- CSA B125.1
- NSF 61/Section 9
- NSF 372



Product Number	Description
4144SSF	Pull-Down Kitchen Faucet - Stainless Steel Finish. SKU # 1001-305-785

 Meets the American Disabilities Act Guidelines and **ANSI A117.1** Requirements for the physically challenged.