



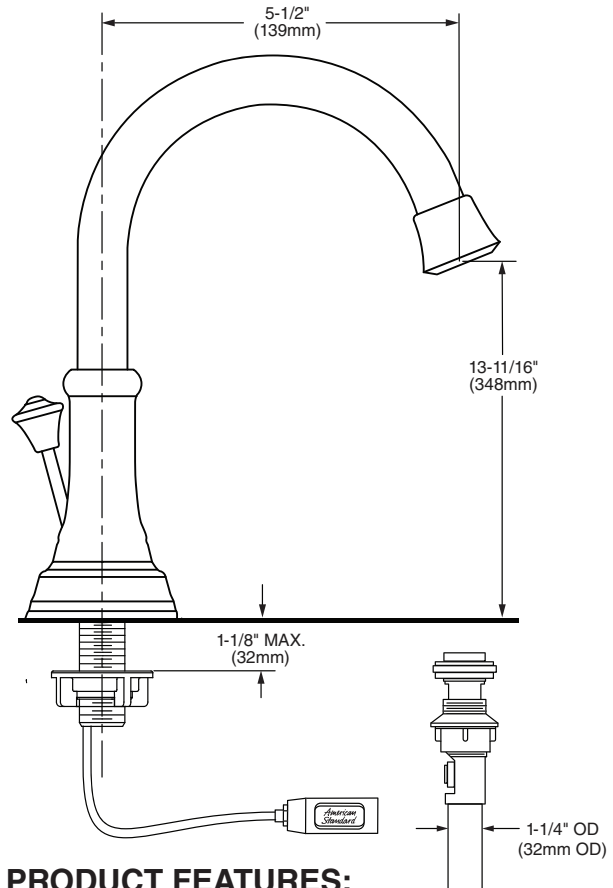
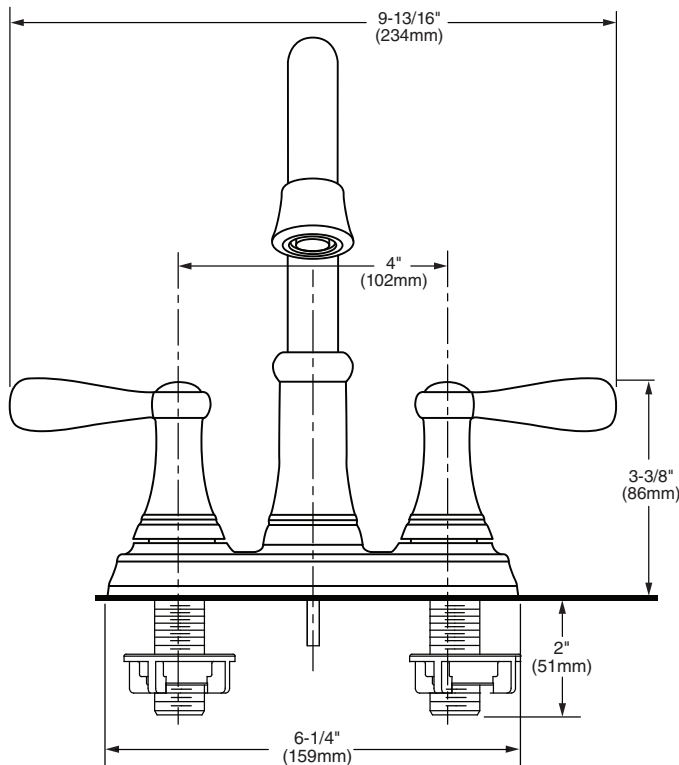
MODEL NUMBER:

7765SF Centerset Lavatory Faucet

Speed Connect® pre-assembled drain.

Lever handles. Satin Nickel (PVD) finish.

SKU# 510-771.



GENERAL DESCRIPTION:

Centerset lavatory faucet on 4" centers. 1/4 turn washerless ceramic disc valve cartridges. Durable cast brass waterways with one-half inch male inlet shanks. Metal body. Color matched underbody. Lever handles. 20" (500mm) long flexible stainless steel drain cable is pre-assembled to faucet body. Speed Connect® pre-assembled drain body with 1-1/4 inch (32mm) tail piece. 1.5 gpm/5.6L/min. maximum flow rate.

PRODUCT FEATURES:

Speed Connect® Drain:

- 1/3 the parts, installs in 1/3 the time.
- No tools or plumbers putty required for installation.
- No adjustments required - seals the first time, every time.
- Flexible stainless steel cable - installs effortlessly in tight spaces.

Simple Installation: Fast and easy one person installation. Faucet drops in from top. Speed Connect® nuts push up and hand-turn to tighten.

Cast Brass Waterways with "City Shanks": Strong and durable. Integral tabs on casting provide a wobble-free installation.

Ceramic Disc Valve Cartridges: Assures a lifetime of drip-free performance.

Lead Free: Faucet contains ≤ 0.25% total lead content by weighted average.

Longer Spout: Provides extended reach into lavatory.

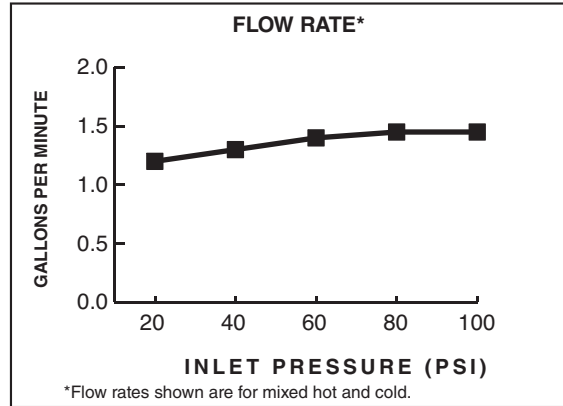
SUGGESTED SPECIFICATION:

Dual control 4" centerset lavatory faucet shall feature a cast brass waterway. Shall also feature 1/4 turn washerless ceramic disc valve cartridges. Shall also feature a drain body with stainless steel cable actuation. Fitting shall be American Standard Model # 7765SF, SKU# 510-771.


CODES AND STANDARDS

These products meet or exceed the following codes and standards:

- ANSI A117.1**
- ASME A112.18.1**
- CSA B125**
- NSF 61/Section 9**



Product Number	Description
7765SF	Centerset lavatory. Lever handles. Speed Connect® pre-assembled drain and Speed Connect® nuts. Satin Nickel (PVD) finish. SKU# 510-771.

 Meets the American Disabilities Act Guidelines and **ANSI A117.1** Requirements for the physically challenged.