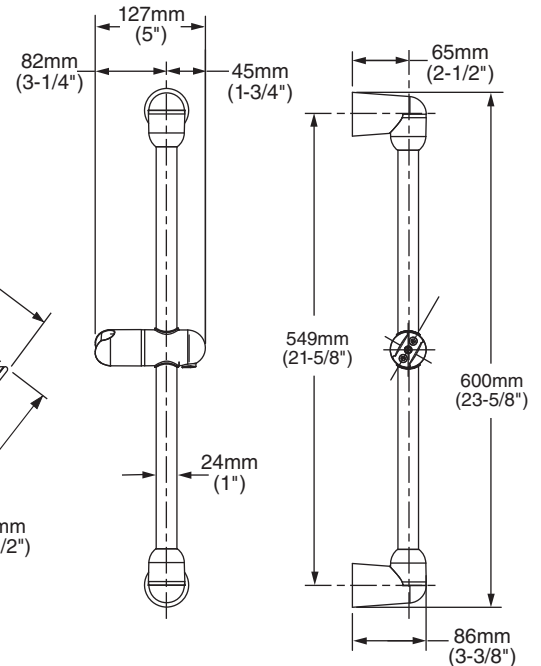
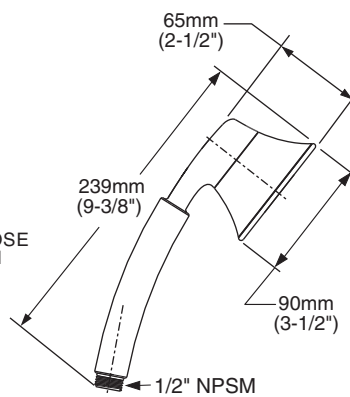
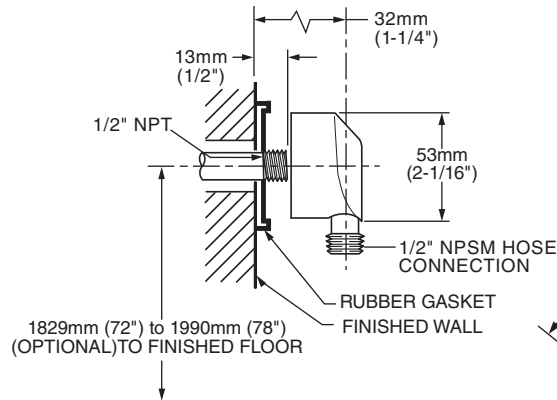


MODEL NUMBER:

- ☐ 1662.741 Shower System Kit
- Includes:
- FloWise® Transitional Single Function Hand Shower 1660.741
- Hose 8888.035
- Wall Supply 8888.037
- Standard Slide Bar 1660.225



GENERAL DESCRIPTION:

Complete personal shower system includes: a wall supply with 1/2" NPT female inlet, 1/2" NPSM male outlet; a 59" (1500mm) shower hose; a FloWise Water Saving hand shower; and a 25" slide bar. Hand shower uses 40% less water than standard 2.5gpm hand showers. Hand shower rated at 1.5gpm/5.7L/min. maximum flow rate. Hand shower has single spray function using Turbine Technology. Pressure compensating flow control device. Slide bar features an adjustable shower holder which can be set at any height or position along the bar and angle up to 45°. Kit includes double check valves to prevent cross flow of hot and cold water.

PRODUCT FEATURES:

Water Saving: Saves 40% in water usage.

Pressure Compensating Flow Control Device: Provides consistent flow over a wide pressure range.

Single Function: Hand Shower provides drenching spray for full coverage of the user.

HAND SHOWER:

Lightweight, Ergonomic Design: For a sure grip even with wet, soapy hands.

SLIDE BAR:

Simple Height Adjustment: Allows positioning of the personal shower anywhere along the bar.

SUGGESTED SPECIFICATION:

Shower system shall feature a wall supply with 1/2" NPT female inlets, 1/2" NPSM male outlet, 59" hose, hand shower and a 25" standard slide bar. Hand Shower shall save 40% in water usage. Hand Shower shall always start at 1.5gpm/5.7L/min. Hand Shower shall have a pressure compensating control device. Kit shall include double check valves to prevent cross flow of hot and cold water. Fitting shall be American Standard Model # 1662.741.____.



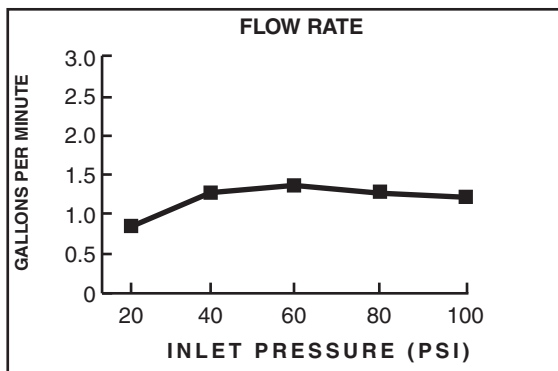
SHOWER SYSTEMS

FLOWISE® WATER SAVING SHOWER SYSTEM KIT

CODES AND STANDARDS

Install as required to comply with local code requirements.

ASME A112.18.1
CSA 125



Product Number	Description	Finish
		Polished Chrome
		002
1662.741	FloWise® Transitional Shower System Kit. Contains FloWise Transitional hand shower, hose, wall supply and slide bar.	