

MAINSTREAM (formerly PLEBE) 5' WHIRLPOOL

2734.018 Whirlpool

- Acrylic with fiberglass reinforcement
- Factory installed and tested whirlpool system
- Perfect for replacing/upgrading standard bathtub
- Single speed, self-draining pump/motor with dry run seal and factory installed power cord with plug
- Molded-in back rest
- Six multi-directional, flow adjustable, color-coordinated jets including two on/off back jets
- One color-coordinated air volume control
- Deck-mounted, color-coordinated air switch On/Off control
- Textured tub bottom pattern helps prevent slips and falls
- Style-matched to Mainstream toilets
- Five year limited warranty

Nominal Dimensions:

60" x 32" x 19-3/4"
(1524 x 813 x 502mm)

Compliance Certifications -

Meets or Exceeds the Following Specifications:

- ASME A112.19.7 for Whirlpool Appliances
- ANSI Z124.1.2 for Plastic Bathtubs



To Be Specified - Required:

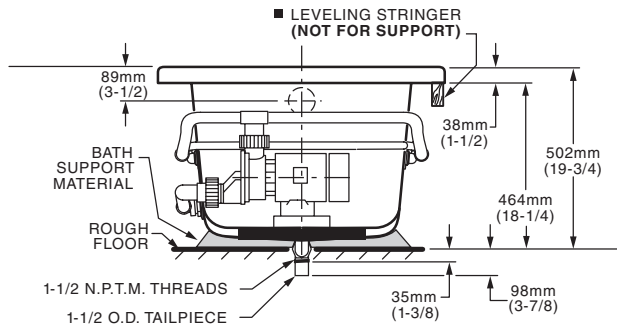
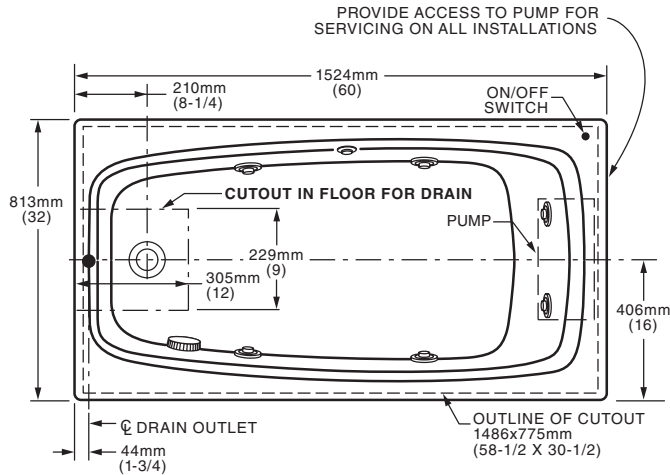
- Color: (White)
- Bath Faucet*
- Bath Drain: 1583.470 (specify Chrome, Polished Brass, Satin, or White)

To Be Specified (Required):

- Apron: 9260.018(specify White)
- Universal Tile Bead Kit: 751755-100

* For faucet choices, please see the Product Selector and Pricing Guide.

SEE REVERSE FOR ROUGHING-IN DIMENSIONS AND PRODUCT SPECIFICATIONS



■ DIMENSIONS OF FIXTURES ARE NOMINAL AND MAY VARY WITHIN THE RANGE OF TOLERANCES ESTABLISHED BY ANSI STANDARDS Z124.1 AND A112.19.7.

GENERAL SPECIFICATIONS FOR 2734 WHIRLPOOL	
INSTALLED SIZE	60 x 32 x 19-3/4 In. (1524 x 813 x 502mm)
WEIGHT	87 Lbs. (39 Kg.)
WEIGHT w/WATER	554 Lbs. (249 Kg.)
GAL. TO OVERFLOW	56 Gal. (212 L)
WHIRLPOOL MIN. OPERATING VOL.	40 Gal. (152 L)
BATHING WELL AT SUMP	44 x 21 In. (1118 x 533mm)
BATHING WELL AT RIM	55 x 26 In. (1397 x 660mm)
WATER DEPTH TO OVERFLOW	13-1/2 In. (343mm)
FLOOR LOADING (PROJECTED AREA)	42 Lbs./Sq.Ft. (201 Kgs/Sq.m)
PTS.	10.2
CUBE (FT³)	26.6
WHIRLPOOL ELECTRICAL SPECIFICATIONS	
SYSTEM I PUMP	1.25 HPR, 5.5 AMPS, 115V.

NOTES:

BATH CAN BE INSTALLED EITHER ABOVE OR BELOW FLOOR LINE AS PIER, ISLAND, OR PENINSULA TYPE INSTALLATION. SUPPORT OF BATH BY SUMP BEDDING. SUPPORT AND ENCLOSING MATERIAL BY OTHERS.

■ REFER TO INSTALLATION INSTRUCTIONS SUPPLIED WITH WHIRLPOOL FOR ADDITIONAL INFORMATION.

OPTIONAL 3 WALL TILING BEAD. KIT AND APRON No. 9260.018 AVAILABLE AND MUST BE ORDERED SEPARATELY.

FITTINGS NOT INCLUDED AND MUST BE ORDERED SEPARATELY.

PROVIDE SUITABLE REINFORCEMENT FOR ALL SUPPORTS.

IMPORTANT: Dimensions of fixtures are nominal and may vary within the range of tolerances established by ANSI Standards Z124.1.2 and ASME A112.19.7. These measurements are subject to change or cancellation. No responsibility is assumed for use of superseded or voided pages.