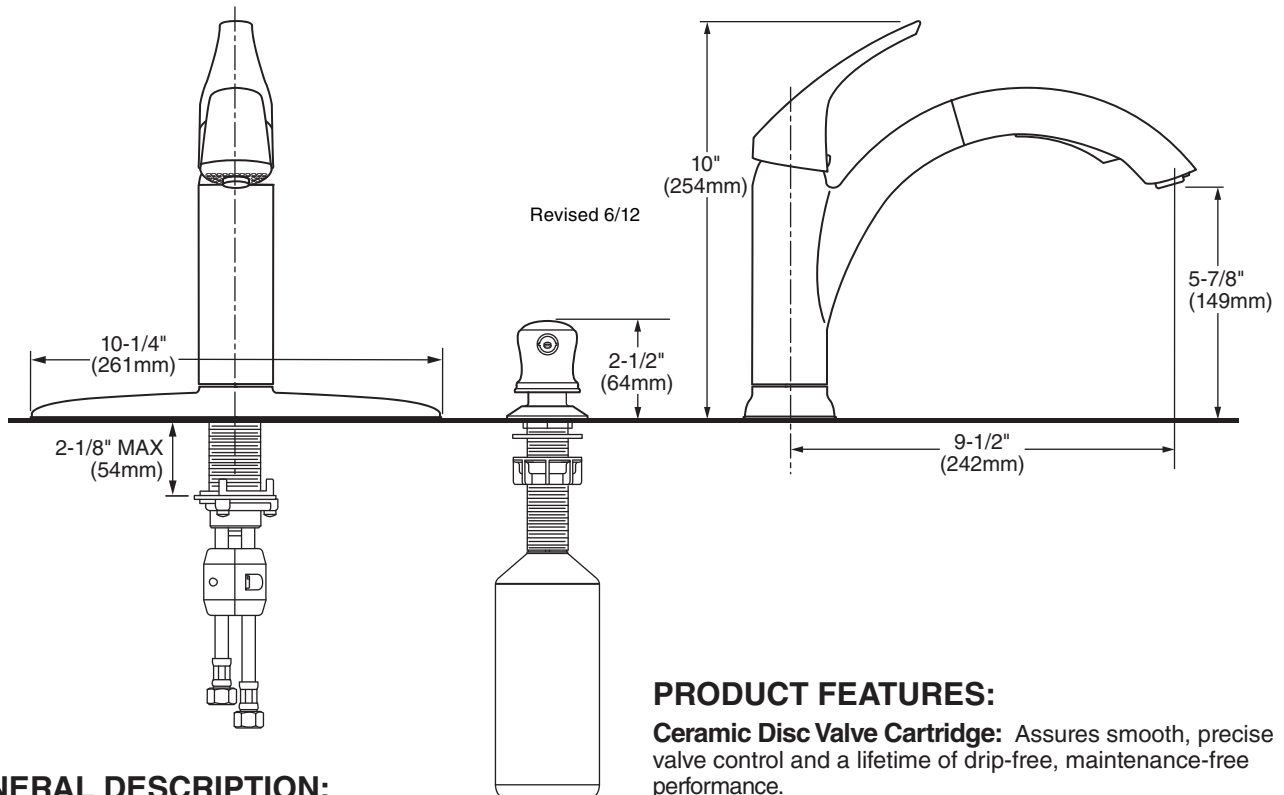




**MODEL NUMBER:**

- 4101.101.002 Kitchen Faucet with Pull-out Spray Spout

Escutcheon plate (installation is optional). Soap dispenser. Polished Chrome finish. SKU# 356903.



**GENERAL DESCRIPTION:**

Metal swivel body. Metal escutcheon plate and metal lever handle. Pull-out spray with adjustable spray pattern and toggle button activation. Nylon reinforced hose is 48" (1250mm) long. Washerless 40mm ceramic disc valve cartridge. Braided flexible supply hoses with 3/8" compression connections. Brass mounting shank with brass fixation ring. 1.8 gpm/6.8L/min. maximum flow rate. Can be mounted with or without supplied escutcheon plate (escutcheon size 10-5/16"L x 2-5/16"W). Includes soap dispenser.

**PRODUCT FEATURES:**

**Ceramic Disc Valve Cartridge:** Assures smooth, precise valve control and a lifetime of drip-free, maintenance-free performance.

**Memory Position Valving:** Allows user to turn valve on and off at preferred temperature setting without readjusting handle position each time.

**Lead Free:** Faucet contains ≤ 0.25% total lead content by weighted average.

**Integral Check Valves:** Prevents back flow.

**Pull-out Spray:** With toggle button activation. Switches water flow from stream to spray.

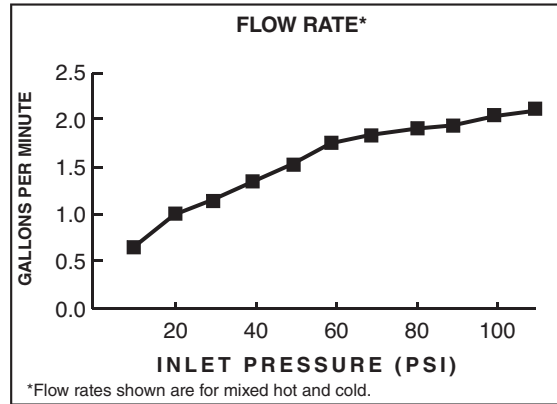
**SUGGESTED SPECIFICATION:**

Single control kitchen faucet shall feature swivel pull-out spray with toggle button activation, metal escutcheon plate and metal lever handle. Shall also feature washerless ceramic disc valve cartridge, flexible hose supplies and two integral check valves. Fitting shall be American Standard Model # 4101.101.002, SKU# 356903.


**CODES AND STANDARDS**

These products meet or exceed the following codes and standards:

- ANSI A117.1**
- ASME A112.18.1**
- NSF 61/Section 9 & Annex G**
- CSA B125**



Product Number	Description
4101.101.002	Pull-out kitchen faucet with soap dispenser. Polished Chrome finish. SKU# 356903.

 Meets the American Disabilities Act Guidelines and **ANSI A117.1** Requirements for the physically challenged.