

GENERAL DESCRIPTION:

Manual Piston-Type Water Closet Flush Valve for floor-mounted or wall-hung 1-1/2" top spud bowls.

INCLUDES:

- 1" I.P.S. angle stop with back-flow prevention and vandal-resistant cap
- Sweat solder kit including cover tube and wall flange
- High back pressure vacuum breaker with down tube
- Spud coupling & flange for 1-1/2" top spud

PRODUCT FEATURES:

- Self-cleaning brass piston with integral wiper spring prevents clogging and reduces maintenance
- Piston operation delivers superior flush accuracy and repeatability
- Piston valve remains closed and does not need to be reset after loss of water pressure
- Non-hold open handle provides automatic shut-off after every flush
- Fail-Safe Operation: Valve automatically closes and does not need to be reset, on loss of water pressure
- Positive seal ensures leak-free performance
- No external volume adjustment
- Durable chrome-plated cast brass construction is ideal for commercial applications
- Chemical-resistant EPDM seals for long life
- Adjustable tailpiece for rough-in flexibility
- Can be installed left or right handed
- ADA complaint

RECOMMENDED SPECIFICATION:

Manual toilet flush valve shall feature self-cleaning brass piston valve with integral wiper spring in refill orifice to prevent clogging. Valve remains closed and does not need to be reset after loss of water pressure. Includes cast brass valve body and cover with chrome finish and vandal resistant stop cap. Includes sweat solder kit with wall flange and cover tube. High back pressure vacuum breaker and angle stop with back-flow protection and vacuum breaker included. 1.1 gpf / 1.28 gpf / 1.6 gpf Flush valve shall be American Standard Model # 6047____.002.

MODEL NUMBER:



6047111.002 Flush Valve for 11-1/2" Supply C\L to top of bowl, 1.1 gpf / 4.2 Lpf



6047121.002 Flush Valve for 11-1/2" Supply C\L to top of bowl, 1.28 gpf / 4.8 Lpf

6047161.002 Flush Valve for 11-1/2" Supply C\L to top of bowl, 1.6 gpf / 6.0 Lpf

OPERATING PRESSURE:

25 psi (flowing)-80 psi (static)

FLOW REQUIREMENT:

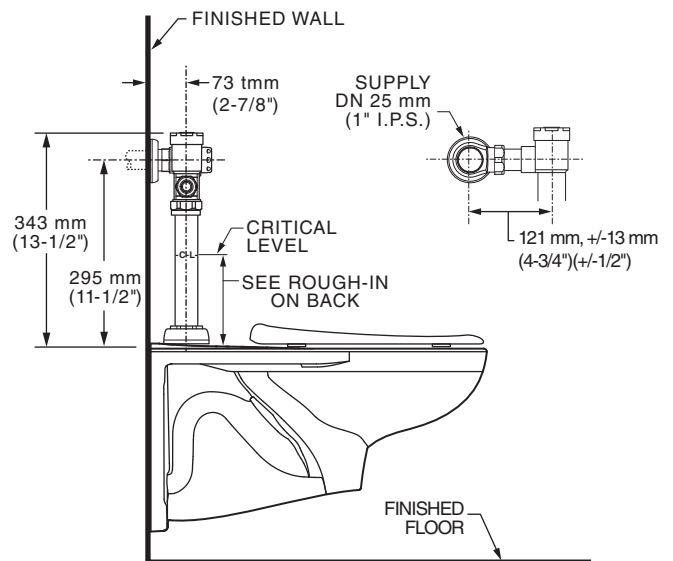
25gpm (94.6 L/min.)

MaP* Score

- 1,000 grams of miso @ 1.1 gpf (when used with an American Standard Afall Millenium or Madera universal flushometer bowl)

*Maximum Performance (MaP) testing performed by IAPMO R&T Lab. MaP Report conducted by Veritec Consulting, Inc. and Koeller and Company.

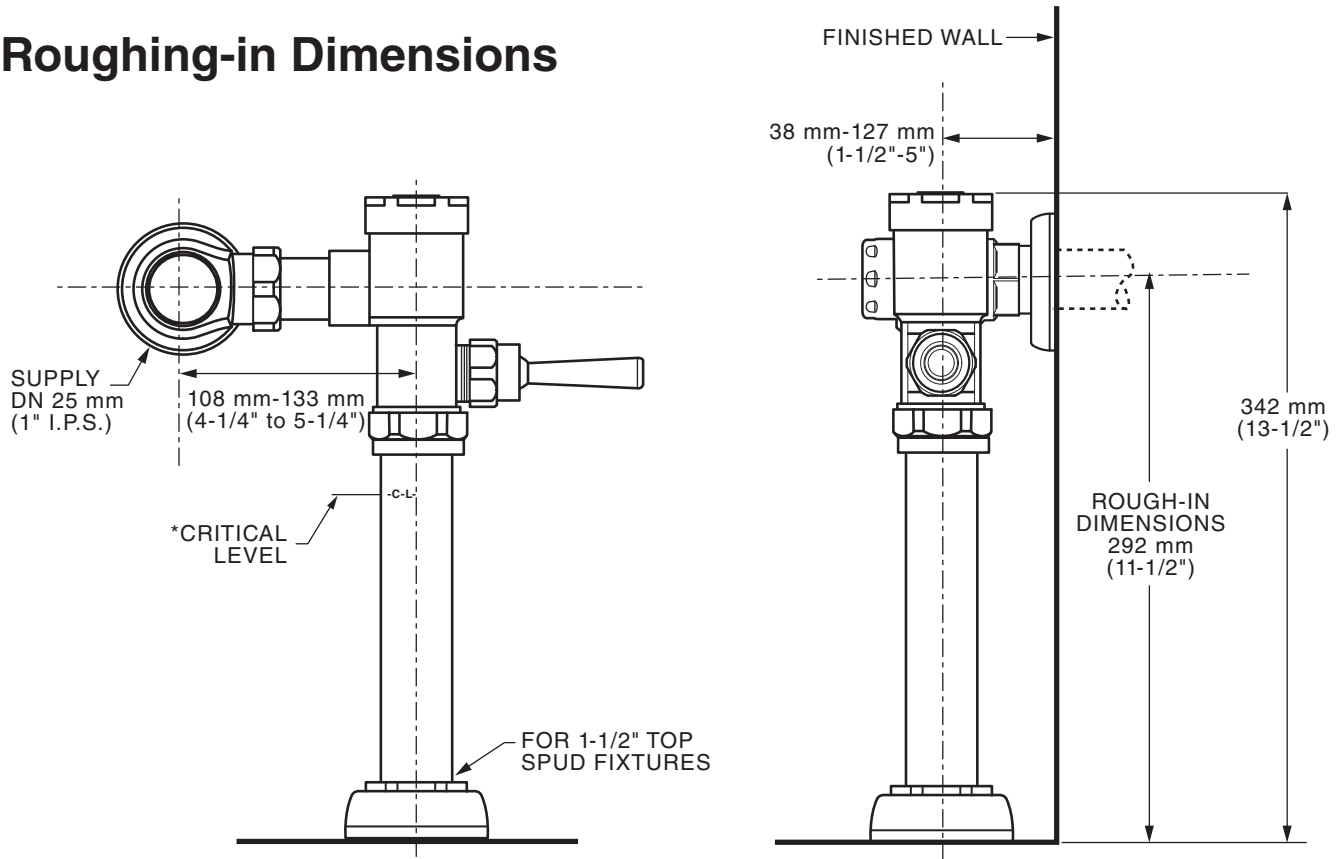
**TYPICAL WATER CLOSET INSTALLATION:
AFWALL™ TOILET SHOWN**



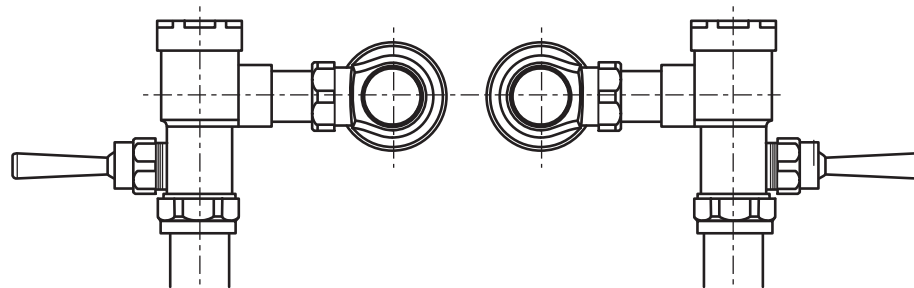
LISTINGS:

- ASSE 1037
- ANSI/ASME A112.19.2
- ADA Compliant

Roughing-in Dimensions



*Note: The Critical Line (-C-L-) on Vacuum Breaker must typically be a minimum of 6" (152 mm) above fixture. Consult Codes for details.



Left or Right Hand Installation