

**RENAISSANCE® WaterWarden™ RIGHT HEIGHT® ROUND FRONT COMPLETE TOILET**

**725BA-101**

- WaterWarden™ Overflow Protection
- Vitreous china
- High Efficiency Toilet (1.28 gpf/4.8 Lpf)
- Meets EPA WaterSense® criteria
- Round front siphon action bowl with direct-fed jet
- Generous 9" x 8" water surface area
- Fully glazed 2" Trapway
- Sanitary dam on bowl with three point tank stabilization
- Pilot Valve Water Control
- Good flush performance with a 3" Flapper flush valve
- Chrome handle
- 16-1/2" rim height for accessible applications
- 2 color-matched bolt caps
- Includes color-matched solid plastic seat and cover
- Wax ring gasket with closet bolts
- 100% factory flush tested
- 3 year warranty on all chinaware and mechanical parts, 1 year warranty on seat

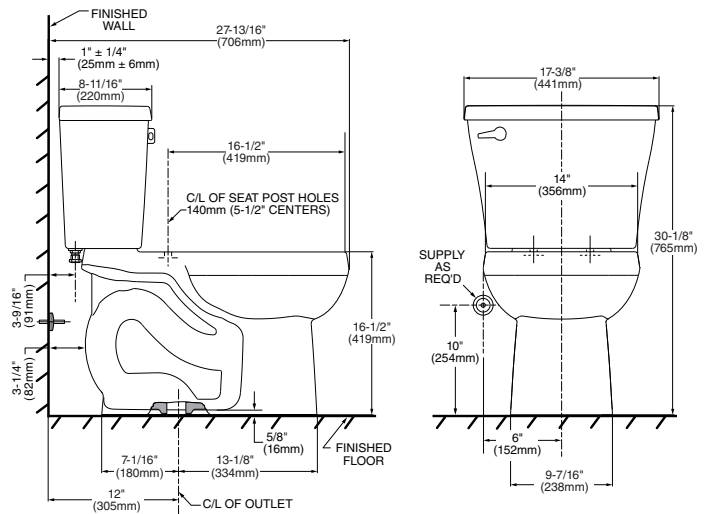


**Nominal Dimensions:**

706 x 441 x 765mm  
 (27-13/16" x 17-3/8" x 30-1/8")

**Compliance Certifications - Meets or Exceeds the Following Specifications:**

- ASME A112.19.2/CSA B45.1 for Vitreous China Fixtures
- US EPA WaterSense® Specification for HET's



**NOTES:**  
 THIS COMBINATION IS DESIGNED TO ROUGH-IN AT A MINIMUM DIMENSION OF 305MM (12") FROM FINISHED WALL TO C/L OF OUTLET.  
 \* DIMENSION SHOWN FOR LOCATION OF SUPPLY IS SUGGESTED. SUPPLY NOT INCLUDED WITH FIXTURE AND MUST BE ORDERED SEPARATELY.

**IMPORTANT:** Dimensions of fixtures are nominal and may vary within the range of tolerance established by ANSI Standard A112.19.2. These measurements are subject to change or cancellation. No responsibility is assumed for use of superseded or voided pages.

**To Be Specified:**

- Color:  White
- Supply with stop:

MEETS THE AMERICANS WITH DISABILITIES ACT GUIDELINES AND ICC ANSI A117.1 REQUIREMENTS FOR ACCESSIBLE AND USABLE BUILDING FACILITIES-CHECK LOCAL CODES.

