

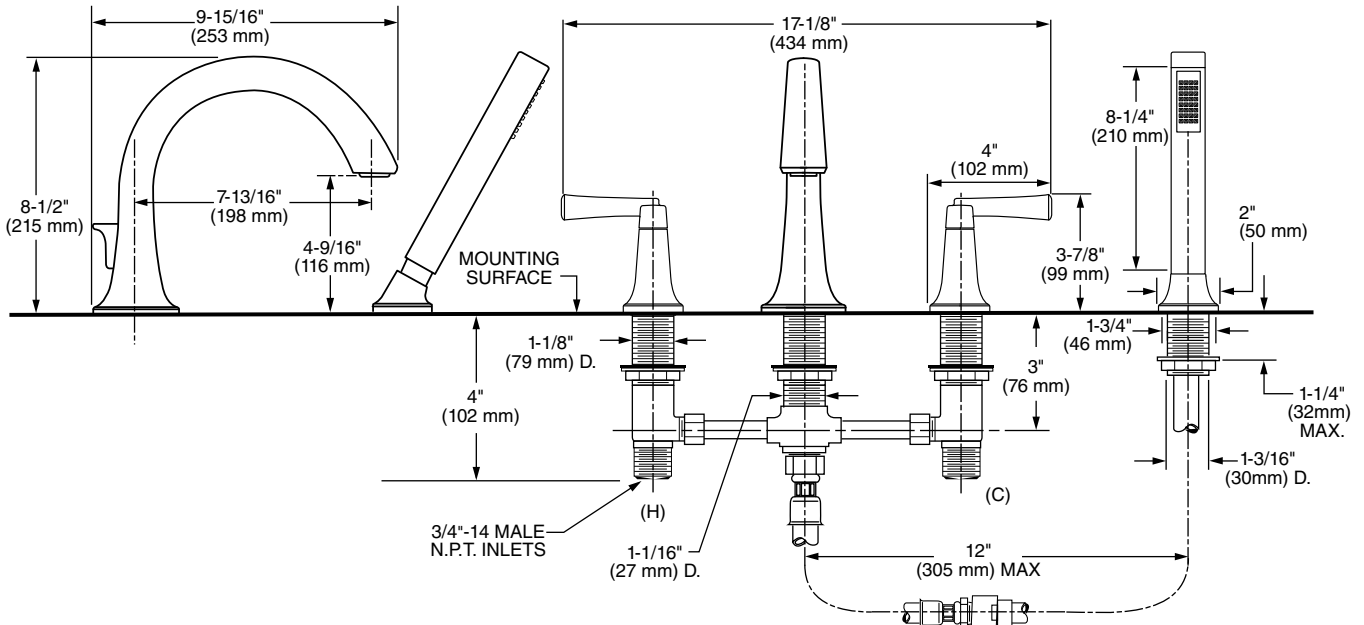
7353.901 Shown

**MODEL NUMBER:**

- ❑ **7353.901 Deck-Mount Tub Filler**  
Personal shower. Metal lever handles.
- ❑ **7353.900 Deck-Mount Tub Filler**  
LESS personal shower. Metal lever handles.

**AVAILABLE ACCESSORY:**

- ❑ **8888.900 Deck-Mount Tub Filler Flex Hose Kit**



**GENERAL DESCRIPTION:**

Durable brass spout with built-in diverter (on 7353.901). Rigid brass and copper waterway below deck provided for 12" installations (can be cut for 8" installations). Brass valve bodies with 3/4" NPT inlets. 1/4 turn washerless ceramic disc valve cartridges. Personal shower features a 6-1/2' long hose (1-1/2' heavy duty hose and 5' decorative hose.) 1.8 gpm / 6.8L/min. maximum flow rate.

**PRODUCT FEATURES:**

**Brass Construction:** Durable. Ideal for prolonged contact with water. Provides the finest surface for application of all finishes.

**Ceramic Disc Valve Cartridge:** Assures a lifetime of smooth handle operation and drip-free performance.

**Exclusive Handle Alignment System:** Allows fine tuning of handle position.

**SUGGESTED SPECIFICATION**

Two-handle deck-mount tub filler shall feature brass construction with brass and copper waterway. Shall also feature 1/4 turn washerless ceramic disc valve cartridges. Fitting shall be American Standard Model #7353.....



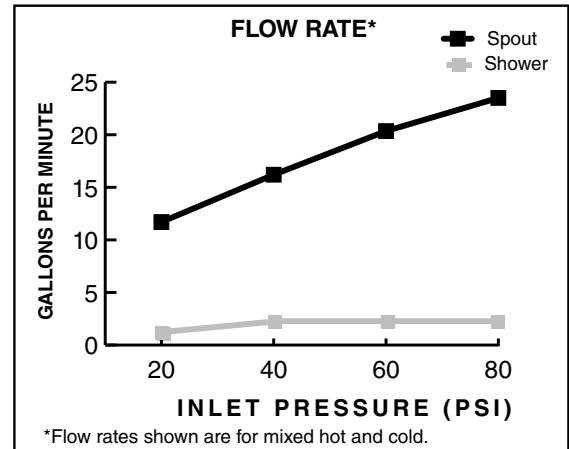
# TOWNSEND® DECK-MOUNT TUB FILLER



## CODES AND STANDARDS

These products meet or exceed the following codes and standards:


- ANSI A117.1**
- ASME A112.18.1**
- CSA B125.1**

Check local plumbing codes. Some installations may require a vacuum breaker.



Product Number	Description		Finish Options			
			Polished Chrome	PVD Polished Nickel	Legacy Bronze	PVD Brushed Nickel
			002	013	278	295
7353.901	Deck-Mount Tub Filler. Personal shower. Metal lever handles. 					
7353.900	Deck-Mount Tub Filler. LESS personal shower. Metal lever handles. 					
8888.900	Deck-Mount Tub Filler Flex Hose Kit		N/A	N/A	N/A	

**N/A = Not Available**

 Meets the American Disabilities Act Guidelines and **ANSI A117.1** Requirements for the physically challenged.