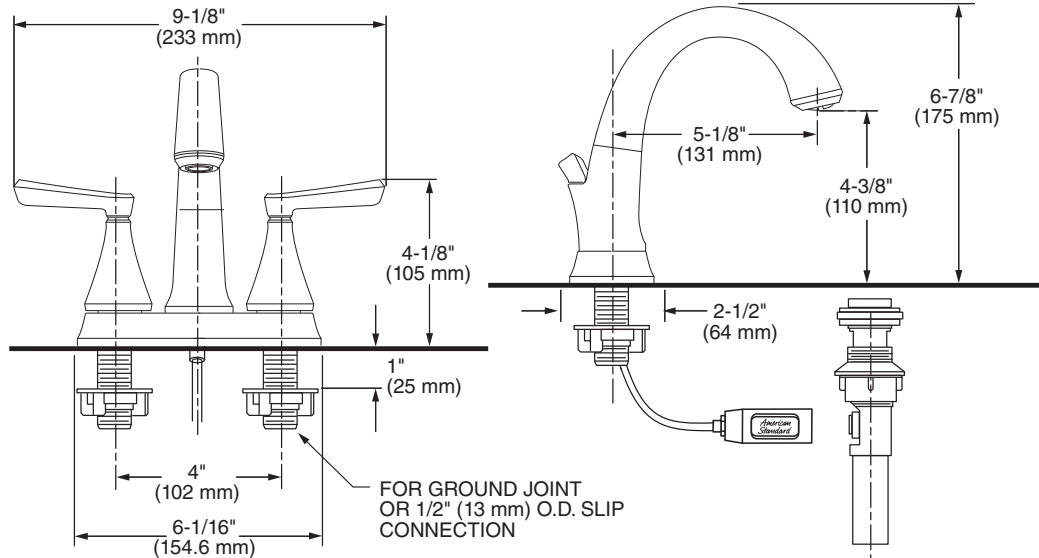




MODEL NUMBER:

- 8473201.075** Brushed Nickel finish.
SKU# 673-3555
- 8473201.278** Legacy Bronze finish.
SKU# 673-3556



Easier Installation
SPEED CONNECT® DRAIN
Reliable For Life

Beautiful & Tough
TARNISH, SCRATCH AND CORROSION RESISTANT FINISH
Reliable For Life

Guaranteed Not To Leak
CERAMIC DISC VALVE
Reliable For Life

Effortless elegance, leading-edge style and thoughtful innovation combine to make American Standard faucets the perfect choice for those who are unwilling to sacrifice style for performance.

GENERAL DESCRIPTION:

Centerset lavatory faucet on 4" centers. 1/4 turn washerless ceramic disc valve cartridges. Durable non-metal water ways with one-half inch male inlet shanks. Metal body and metal lever handles. 20 inch (500 mm) long flexible stainless steel drain cable is preassembled to faucet body. 1.2 gpm/4.5 L/min. maximum flow rate.

PRODUCT FEATURES:

- Exclusive Speed Connect Drain:
- Fewer parts. Installs in less time.
- No adjustments required - seals the first time, every time.
- Flexible stainless steel cable - installs effortlessly in tight spaces.

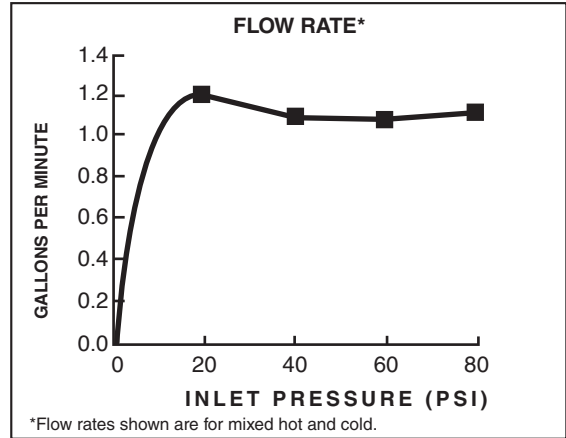
SUGGESTED SPECIFICATION:

Dual control centerpiece bath faucet shall feature cast brass spout. Shall also feature 1/4 turn washerless ceramic disc valve cartridges. Shall also feature Speed Connect® Drain with stainless steel cable actuation. Fitting shall be American Standard Model #8473201.075, SKU# 673-3555 and 8473201.278, SKU# 673-3556.


CODES AND STANDARDS

These products meet or exceed the following codes and standards:

- ANSI A117.1**
- ASME A112.18.1**
- CSA B125.1**
- NSF 61/Section 9**
- NSF 372**



Product Number	Description
8473201.075	Centerset lavatory. Metal lever handles. Speed Connect® drain. Brushed Nickel finish. SKU #673-3555.
8473201.278	Centerset lavatory. Metal lever handles. Speed Connect® drain. Legacy Bronze finish. SKU #673-3556.

 Meets the American Disabilities Act Guidelines **ANSI A117.1** Requirements for the physically challenged.