

T186.508 Bath/Shower Trim Shown

GENERAL DESCRIPTION:

SHOWERHEAD

Water saving showerhead maximum 1.8 gpm/6.8 L/min. flow rate.

WALL TUB SPOUT

Metal slip-on diverter spout.

WALL VALVE TRIM

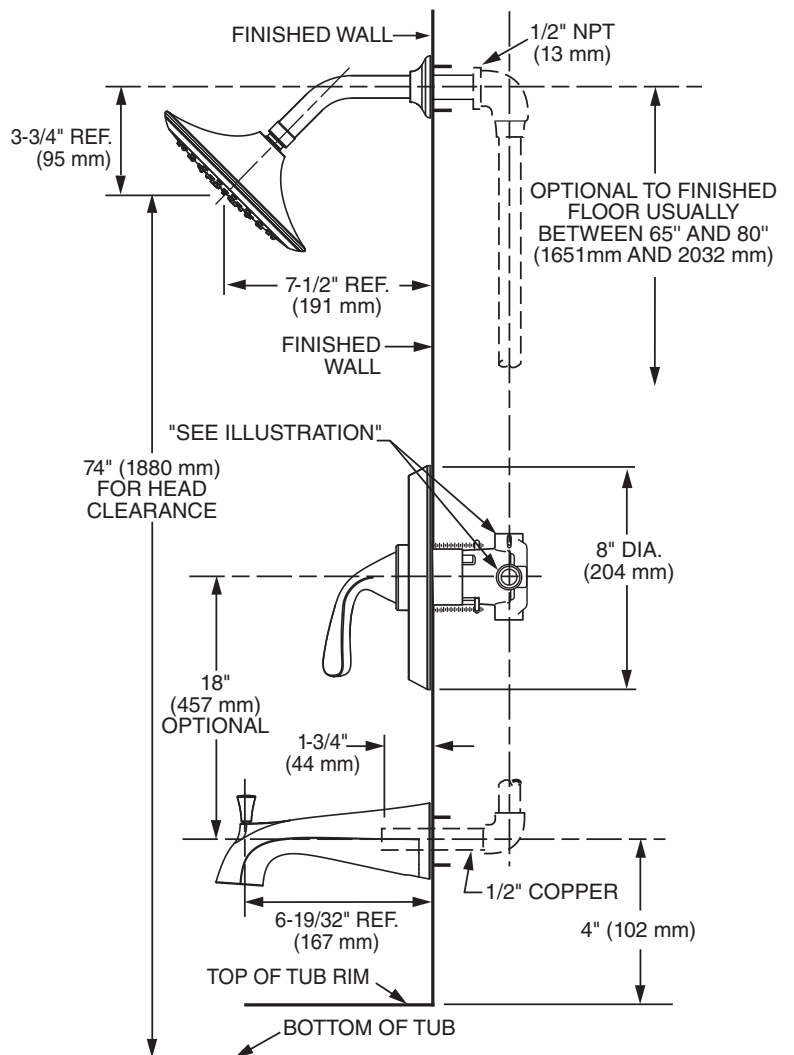
Available with metal lever handle.
Brass wall escutcheon.

MODEL NUMBER:

TRIM KITS:

- T186.508 Fluent BATH/SHOWER Trim Kit
Lever handle. LESS valve body.
- T186.507 Fluent SHOWER ONLY Trim Kit
Lever handle. LESS valve body.

**For use with R110 Series Pressure Balance Valves.
See reverse side for available Rough Valves.**



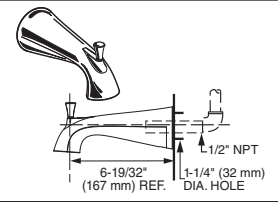

SUGGESTED SPECIFICATION

Bath/shower fitting shall feature water saving showerhead with Max. 1.8 gpm/6.8 L/min. flow rate. Fitting shall be: American Standard - Trim Kit Model # T186.50_._._ and Valve Body Model # R11_.

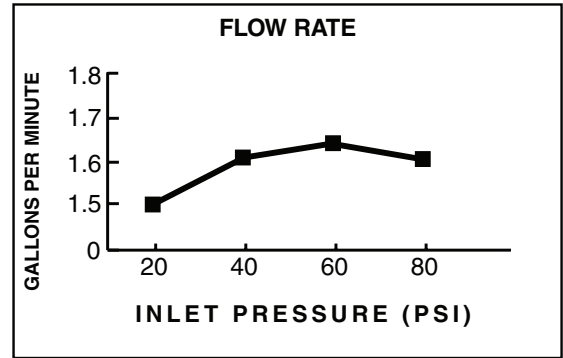
CODES AND STANDARDS



These products meet or exceed the following codes and standards:

- ANSI A117.1
- ASSE 1016
- ASME A112.18.1
- CSA B125.1

MODIFICATIONS		Parts Suffix*
IPS Spout		—IPT
Factory Installed Decal Ring (Red/Blue)		—WD

*To modify a product, add suffix after the 4th digit (ex. T064ITP502.002)



TRIM KITS *	Product Number	Description	Finish Options		
			Polished Chrome	Legacy Bronze	PVD Brushed Nickel
			002	278	295
T186.508	Bath/Shower Trim Kit. Metal lever handle. Water-Saving showerhead. LESS valve body.				
T186.507	Shower Only Trim Kit. Metal lever handle. Water-saving showerhead. LESS valve body.				

ROUGH VALVE BODIES	Product Number	Description
	R111	Rough Valve Body less trim. Universal inlets/outlets.
	R111SS	Rough Valve Body less trim. Universal inlets/outlets with Screwdriver Stops.
	R110	Rough Valve Body less trim. Direct sweat inlets/outlets.
	R110SS	Rough Valve Body less trim. Direct sweat inlets/outlets with Screwdriver Stops.
	R115	Rough Valve Body less trim. Female Thread inlets/outlets.
	R115SS	Rough Valve Body less trim. Female Thread inlets/outlets with Screwdriver Stops.
	R117	Rough Valve Body less trim. PEX inlets/universal outlets for Crimp Ring PEX system (ASTM F1807).
	R117SS	Rough Valve Body less trim. PEX inlets/universal outlets for Crimp Ring PEX system (ASTM F1807) with Screwdriver Stops.
	R118	Rough Valve Body less trim. PEX inlets/universal outlets for Cold Expansion PEX system (ASTM F1960).
	R118SS	Rough Valve Body less trim. PEX inlets/universal outlets for Cold Expansion PEX system (ASTM F1960) with Screwdriver Stops.
	R119	Rough Valve Body less trim. CPVC inlets/universal outlets.
R119SS	Rough Valve Body less trim. CPVC inlets/universal outlets with Screwdriver Stops.	

 Meets the American Disabilities Act Guidelines and **ANSI A117.1** Requirements for the physically challenged.