



T375.128 Bath/Shower Trim Shown

GENERAL DESCRIPTION:

SHOWERHEAD

FloWise water saving showerhead offers 40% water savings at maximum 1.5 gpm/5.7 L/min. flow rate.

WALL TUB SPOUT

Metal slip-on diverter spout.

WALL VALVE TRIM

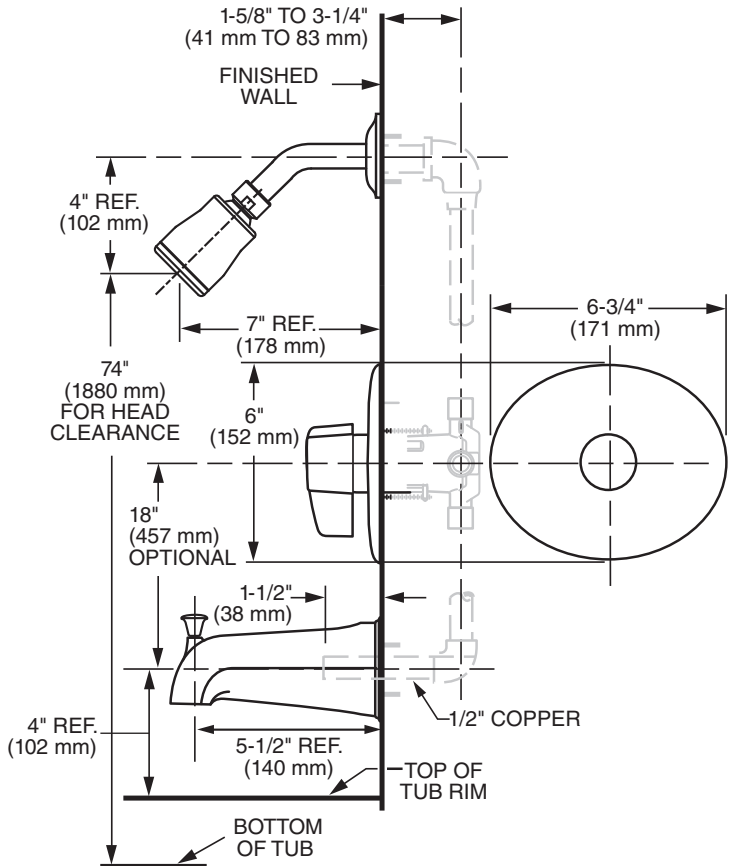
Available with lever or metal lever handle.
 Plastic wall escutcheon.

MODEL NUMBER:

TRIM KITS:

- ☐ T375.128 Colony BATH/SHOWER Trim Kit
Lever Handle. FloWise Showerhead.
- ☐ LESS Valve Body.
- T375.248 Colony BATH/SHOWER Trim Kit
- ☐ Metal Lever Handle. FloWise Showerhead.
LESS Valve Body.
- ☐ T372.128 Colony SHOWER ONLY Trim Kit
Lever Handle. FloWise Showerhead.
LESS Valve Body.
- T372.248 Colony SHOWER ONLY Trim Kit
Metal Lever Handle. FloWise Showerhead.
LESS Valve Body.

*For use with R110 Series Pressure Balance Valves.
 See reverse side for available Rough Valves.*



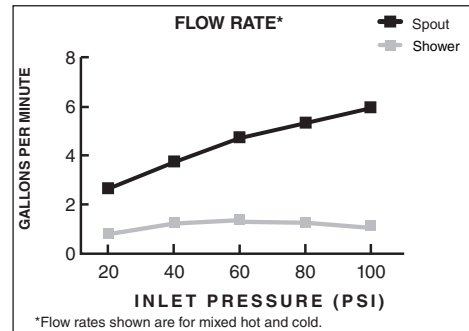
SUGGESTED SPECIFICATION:

Bath/shower fitting shall feature water saving showerhead with Max. 1.5gpm/5.7L/min. flow rate. Fitting shall be: American Standard Trim Kit Model # T375.____, Model # T372.____ and Valve Body Model # R11_.

CODES AND STANDARDS

These products meet or exceed the following codes and standards:

ASSE 1016
 ASME A112.18.1
 CSA B 125.1



Modifications		Parts Suffix*
IPS Spout		__IPT
Factory Installed Decal Ring (Red/Blue)		__WD

*To modify a product, add suffix after the 4th digit (ex. T064**ITP**502.002)

TRIM KITS *	Product Number	Description	* TRIM & ROUGH MUST BE ORDERED SEPARATELY.	
			Finish Options	
			Polished Chrome	002
	T375.128	Bath/Shower Trim Kit. Lever Handle. FloWise Showerhead. LESS Valve Body.		
	T375.248	Bath/Shower Trim Kit. Metal Lever Handle. FloWise Showerhead. LESS Valve Body.		
	T372.128	Shower Only Trim Kit. Lever Handle. FloWise Showerhead. LESS Valve Body.		
	T372.248	Shower Only Trim Kit. Metal Lever Handle. FloWise Showerhead. LESS Valve Body.		

ROUGH VALVE BODIES	Product Number	Description
	R111	Rough Valve Body less trim. Universal inlets/outlets.
	R111SS	Rough Valve Body less trim. Universal inlets/outlets with Screwdriver Stops.
	R110	Rough Valve Body less trim. Direct sweat inlets/outlets.
	R110SS	Rough Valve Body less trim. Direct sweat inlets/outlets with Screwdriver Stops.
	R115	Rough Valve Body less trim. Female Thread inlets/outlets.
	R115SS	Rough Valve Body less trim. Female Thread inlets/outlets with Screwdriver Stops.
	R117	Rough Valve Body less trim. PEX inlets/universal outlets for Crimp Ring PEX system (ASTM F1807).
	R117SS	Rough Valve Body less trim. PEX inlets/universal outlets for Crimp Ring PEX system (ASTM F1807) with Screwdriver Stops.
	R118	Rough Valve Body less trim. PEX inlets/universal outlets for Cold Expansion PEX system (ASTM F1960).
	R118SS	Rough Valve Body less trim. PEX inlets/universal outlets for Cold Expansion PEX system (ASTM F1960) with Screwdriver Stops.
	R119	Rough Valve Body less trim. CPVC inlets/universal outlets.
R119SS	Rough Valve Body less trim. CPVC inlets/universal outlets with Screwdriver Stops.	

Meets the American Disabilities Act Guidelines and **ANSI A117.1** Requirements for the physically challenged.