



**PRODUCT FEATURES:**

- **Flexible Selectronic Platform** with programmable, multi-function sensor.
- **Hygienic, touch-free operation**
- **Easy Installation:** Simple integrated design; sensor, solenoid valve and electronics are enclosed in the spout. No control box below deck.
- **Single Inlet:** For cold or tempered water. Inlet hose includes a filter screen to protect the solenoid valve.
- **Seamless Cast Brass Body:** No crevices. Easy to clean. Vandal-resistant.
- **Optional Auto Purge Feature:** Faucet can be programmed to open at a pre-determined time after last use to purge the faucet and water lines of stagnant water.
- **Safety Timer:** Helps prevent vandalism by turning off the faucet if the sensor is covered for 55 seconds or more. Timing is adjustable with optional remote control.
- **Adjustable Range:** Detection zone can be adjusted manually or with optional remote control.
- **Fail-Safe:** Faucet automatically shuts off upon loss of power or dead battery. Prevents costly excess water usage and potential flooding.
- **Lead-Free:** Faucet contains  $\leq 0.25\%$  total lead content by weighted average.

**GENERAL DESCRIPTION:**

Electronic faucet with proximity operation. Integrated design with sensor, solenoid valve and electronics enclosed in the spout. Vandal-resistant seamless, cast brass spout with single post mounting. Water pressure range from 20 to 125 psi. Single inlet to spout: 18" flexible inlet hose with filter assembly and 3/8" compression fitting.

**MODEL NUMBER:**

- **BASE UNIT (Does not include power supply)**
  - **705B.105** 0.5 gpm/1.9 L/min pressure compensating, vandal-resistant multi-laminar spray.
  - **705B.115** 1.5 gpm/5.7 L/min pressure compensating, vandal-resistant laminar flow outlet with adjustable face.



■ **POWER KITS (Must be purchased separately)**

- **PK00.CRP** CR-P2 lithium battery and holder.
- **PK00.WRK** PWRX™ 10-Year battery pack and holder.
- **PK00.PAC** Plug-In AC transformer and Single AC adapter.
- **PK00.HAC** Hard-Wired AC transformer and 10' extension cable
- **PK00.MAC** Multi-AC adapter and 10" extension cable.

■ **OPTIONAL Battery Back-Up**

- **PK00.BBU** Allows AC powered faucets to continuously operate during a power failure

■ **OPTIONAL 4" Deck plate**

- **705P.400** 4" brass deck plate with 1/4" fixation studs and quick spin nuts. Includes fixation pin that prevents the faucet spout from rotating.

■ **OPTIONAL Mixing Valve**

- **605XTMV1070** Thermostatic mixing valve. 20" flexible inlet hoses with 3/8" compression fittings. ASSE 1070 certified down to 0.35 gpm/1.3 L/min.

■ **OPTIONAL Remote Control**

- **605XRCT** Adjusts setup parameters and allows for customization of functions. Can be used to program all Selectronic faucets and flush valves.

**POWER OPTIONS:**

- **Plug-In AC:** UL 1310, Class 2 certified. 6' long power cord. 100 - 240 VAC, 50/60 HZ.
- **Hard-Wired AC:** UL 1310, Class 2 certified. 2-piece plate-mounted power supply (electrical box by others). 120 VAC, 60 HZ.
- **Multi-AC:** One AC transformer can power up to 15 faucets and/or flush valves in a daisy chain configuration. **POWER SUPPLY NOT INCLUDED.**

**RECOMMENDED SPECIFICATION:**

Electronic, sensor-operated lavatory faucet shall feature a programmable, multi-function sensor and an electronically operated solenoid valve. Also features a vandal resistant cast brass body with single inlet and in-line filter screen. Single post mounting. Integrated design with sensor, solenoid valve and electronics enclosed in the spout. Shall meet ANSI A112.18.1 and ANSI 117.1 codes. Fitting shall be American Standard Model # 705B\_1\_5.

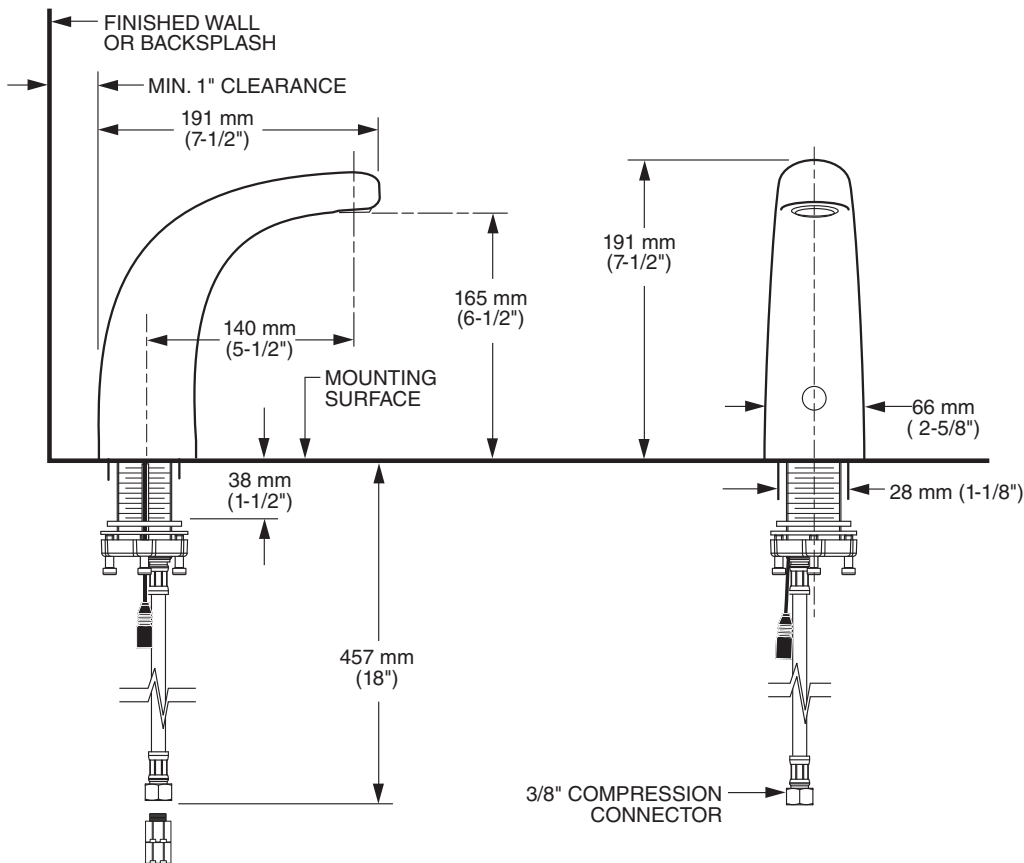
**CODES AND STANDARDS**

These products meet or exceed the following codes and standards:

- ANSI A117.1
- ASME A112.18.1
- CSA B125.1
- NSF 372

Other Aerators Available:	
Part Suffix	Description
V035*	0.35 gpm/1.3 L/min PCA Vandal-Resistant Multi-Laminar Spray

PCA - PRESSURE COMPENSATING  
\*MEETS CAL GREEN CODE



**NOT RECOMMENDED FOR INSTALLATION ON LUCERNE SINKS**

ADA Meets the American Disabilities Act Guidelines and ANSI A117.1 Requirements for accessible and usable building facilities - check local codes

PART OF LIXIL