



PRODUCT FEATURES:

Power Options:

- **PWRX™ Long-Life Battery System:** Battery Life - 480,000 cycles (10 years @ 4,000 cycles per month). Advanced battery & electronics reduce the downtime and maintenance costs associated with changing batteries.
- Safety Circuitry prevents overheating in case of short circuit and protects the electronics from damage.
- **DC (Battery):** Includes CR-P2 lithium battery. Battery Life - 192,000 cycles (4 years @ 4,000 cycles per month).
- **Plug-In AC:** Includes Class 2 UL certified universal Plug-In AC transformer with 6' long power cord.
- **Hard-Wired AC:** Includes Class 2 UL certified universal Hard-Wired AC transformer (electrical box by others).
- **Multi-AC:** One AC transformer can power up to 15 faucets and/or flush valves in a daisy chain configuration
POWER SUPPLY NOT INCLUDED.
- **Flexible Selectronic® Platform** with programmable, multi-function sensor.
- **Easy Installation:** Simple integrated design; sensor, solenoid valve and electronics are enclosed in the spout. No control box below deck.
- **Single Inlet:** For cold or tempered water. Inlet hose includes a filter screen to protect the solenoid valve.
- **Seamless Cast Brass Body:** No crevices. Easy to clean. Vandal-resistant.
- **Optional Purge Feature:** Faucet can be programmed to open at a pre-determined time after last use to purge the faucet and water lines.
- **Safety Timer:** Helps prevent vandalism by turning off the faucet if the sensor is covered for 55 seconds or more.
- **Universal Voltage:** AC power supplies and transformers have input voltage range of 100 - 240 VAC, 50/60 Hz
- **Lead-Free:** Faucet contains ≤ 0.25% total lead content by weighted average.



MODEL NUMBER:

■ **PWRX™ LONG-LIFE BATTERY POWERED**

- 7053.105** 0.5 gpm pressure compensating, vandal-resistant multi-laminar spray.
- 7053.115** 1.5 gpm pressure compensating, vandal-resistant laminar flow with adjustable stream direction.

■ **DC (BATTERY) POWERED**

- 7055.105** 0.5 gpm pressure compensating, vandal-resistant multi-laminar spray.
- 7055.115** 1.5 gpm pressure compensating, vandal-resistant laminar flow with adjustable stream direction.

■ **PLUG-IN AC POWERED**

- 7056.105** 0.5 gpm pressure compensating, vandal-resistant multi-laminar spray.
- 7056.115** 1.5 gpm pressure compensating, vandal-resistant laminar flow with adjustable stream direction.

■ **MULTI-AC POWERED**

- 7057.105** 0.5 gpm pressure compensating, vandal-resistant multi-laminar spray.
- 7057.115** 1.5 gpm pressure compensating, vandal-resistant laminar flow with adjustable stream direction.

■ **HARD-WIRED AC POWERED**

- 7059.105** 0.5 gpm pressure compensating, vandal-resistant multi-laminar spray.
- 7059.115** 1.5 gpm pressure compensating, vandal-resistant laminar flow with adjustable stream direction.

■ **OPTIONAL 4" or 8" Deck plates**

- 705P.400** 4" brass deck plate with 1/4" fixation studs and quick spin nuts. Includes fixation pin that prevents the faucet spout from rotating.

■ **OPTIONAL Mixing Valve**

- 605XTMV1070** Thermostatic mixing valve. 20" flexible stainless steel inlet hoses with 3/8" compression fittings. ASSE 1070 certified down to 0.35 gpm.

GENERAL DESCRIPTION:

Electronic faucet with proximity operation. Integrated design with sensor, solenoid valve and electronics enclosed in the spout. Vandal-resistant seamless, cast brass spout with single post mounting. Water pressure range from 20 to 125 psi. Single inlet to spout: 18" flexible stainless steel inlet hose with check valve, filter screen and 3/8" compression fitting.

RECOMMENDED SPECIFICATION:

Electronic, sensor-operated lavatory faucet shall feature a programmable, multi-function sensor and an electronically operated solenoid valve. Also features a vandal resistant cast brass body with single inlet and in-line filter screen. Single post mounting. Integrated design with sensor, solenoid valve and electronics enclosed in the spout. Shall meet ANSI A112.18.1 and ANSI 117.1 codes. Fitting shall be American Standard Model # 705_1_5.

CODES AND STANDARDS

These products meet or exceed the following codes and standards:

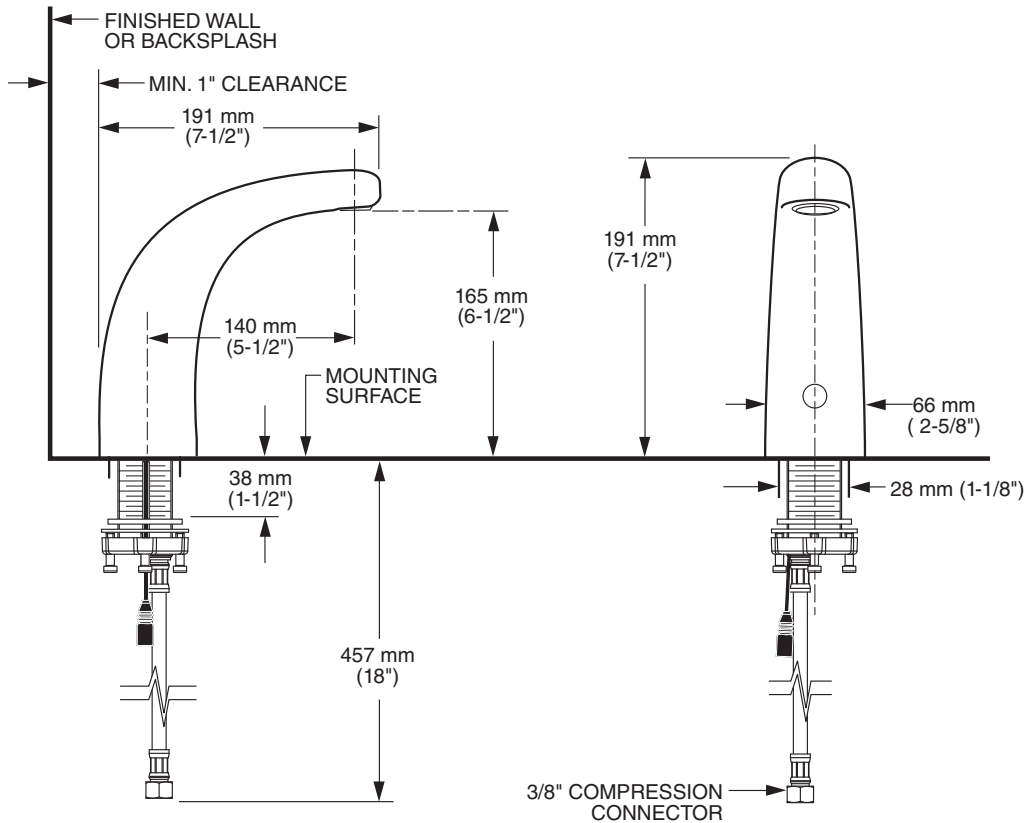
- ANSI A117.1**
- ASME A112.18.1**
- CSA B 125**
- NSF 372**



MEETS THE AMERICAN DISABILITIES ACT GUIDELINES AND ANSI A117.1 REQUIREMENTS FOR ACCESSIBLE AND USABLE BUILDING FACILITIES-CHECK LOCAL CODES

Other Aerators Available:	
Part Suffix	Description
_V035**	0.35 gpm (1.3 Lpm) PCA Vandal-Resistant Multi-Laminar Spray

*PCA - PRESSURE COMPENSATING
**MEETS CAL GREEN CODE



NOT RECOMMENDED FOR INSTALLATION ON LUCERNE SINKS

PART OF LIXIL