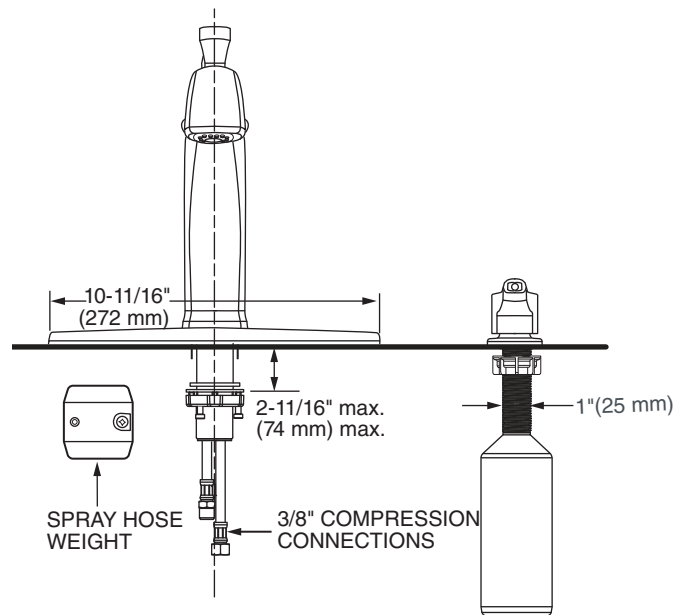
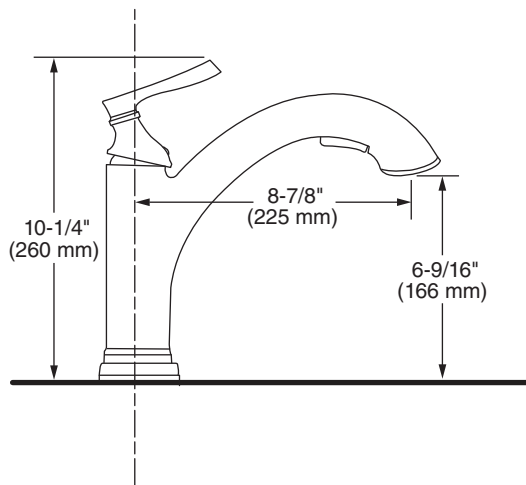


MODEL NUMBER:

- **7506100.075 Pull-Out Kitchen Faucet**
 Stainless Steel Finish.



GENERAL DESCRIPTION:

Metal body and metal deck plate. Swivel pull-out spray spout. Adjustable spray pattern with push button activation. Nylon reinforced hose complete with two integral check valves. Washerless 40 mm ceramic disc valve cartridge with integral hot limit safety stop. Braided 38" flexible supply hoses with 3/8" compression connections. Metal mounting shank with metal fixation ring. 1.8 gpm/6.8 L/min. maximum flow rate. Can be mounted with or without supplied metal deck plate. Includes color-matched soap dispenser.

PRODUCT FEATURES:

- Multi function spray head:** One-touch stream or spray
- Easy Clean Spray Nozzles:** Nozzle build-up easily wipes clean
- Metal Construction:** Built for durability and dependability
- Ceramic Disc Valve Cartridges:** Lifetime of drip-free performance
- Optional Deckplate Included:** Fits 1, 2, 3 or 4 hole sinks or counters
- Flexible Supply Lines Included:** Resist wear and tear for longer life

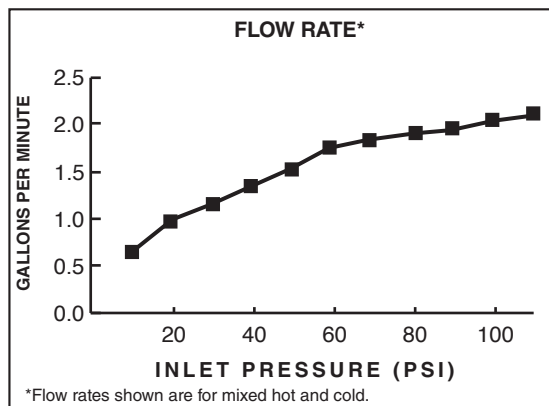
SUGGESTED SPECIFICATION

1-Handle kitchen faucet shall feature a swivel pull-out spray spout, metal deck plate and metal lever handle. Shall also feature washerless ceramic disc valve cartridge with integral hot limit safety stop, flexible supply hoses and two integral check valves. Includes color-matched soap dispenser. Fitting shall be American Standard Model # 7506100.075.

CODES AND STANDARDS

These products meet or exceed the following codes and standards:

- ANSI A117.1**
- ASME A112.18.1**
- CSA B125.1**
- NSF 61/Section 9**
- NSF 372**



1.8 gpm/6.8 L/min. FLOW RATE

Product Number	Description
7506100.075	Pull-Out Kitchen Faucet. Includes color-matched soap dispenser and metal deck plate (installation is optional). Stainless Steel finish.

 Meets the American Disabilities Act Guidelines
ANSI A117.1 Requirements for the physically challenged.