

**FAIRACRES™ 33 x 22 STAINLESS STEEL
KITCHEN SINK KIT**

20SB.332211L.075 Single Bowl Sink

Kit includes:

- Single bowl sink
- Waste fitting
- Coordinating pull-down faucet
- Installation instructions and cutout template
- Top mount installation hardware

Stainless Steel Sink

- Single Bowl
- 20 Gauge Stainless Steel
- 18-10 Chrome Nickel content
- Dual mount installation
- 36" (914mm) cabinet required
- Limited Lifetime Warranty

Nominal Dimensions:

33" x 22" x 9"
(838 x 559 x 229mm)

Bowl Size:

29-9/16" (751mm) wide
18-9/16" (472mm) front to back at widest point
9" (229mm) deep

Pull-Down Faucet

- 1.8 gpm
- Brass swivel spout
- Ceramic disc valve cartridge for drip free performance
- Spray and Stream Functions
- Lead Free: Faucet contains $\leq 0.25\%$ lead content by weighted average
- Limited Lifetime Warranty

Strainer

- Standard 3-1/2" (89mm) drain assembly
- Limited Lifetime Warranty



SEE REVERSE FOR ROUGHING-IN DIMENSIONS
AND PRODUCT SPECIFICATIONS

Suggested Specifications:

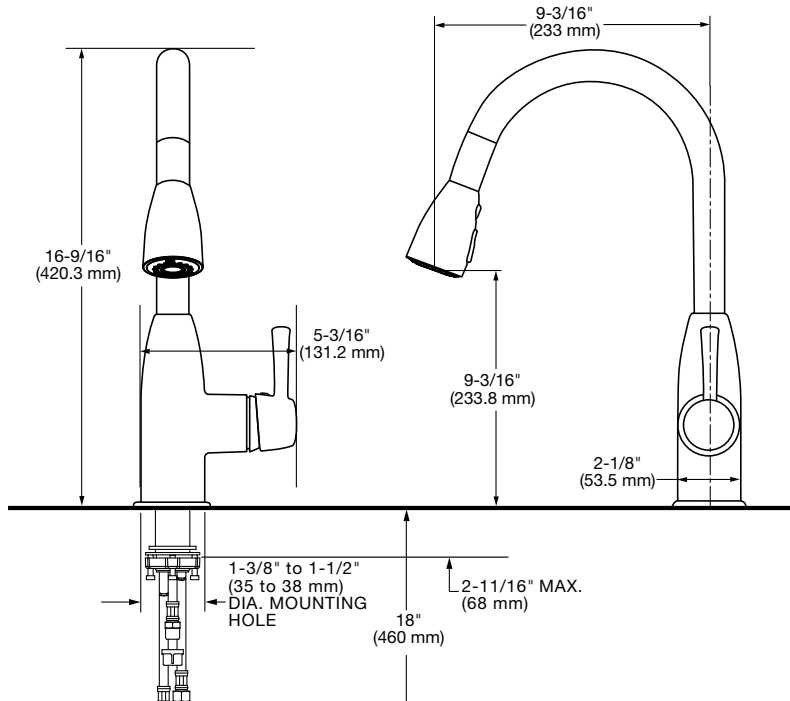
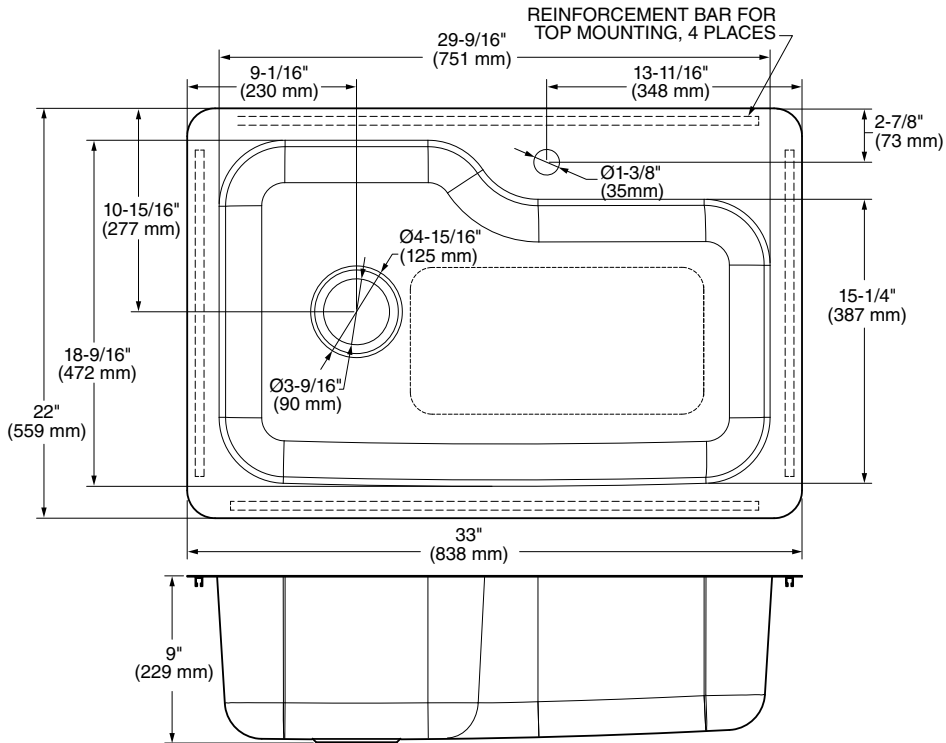
- Color: Stainless Steel .075
- Faucet Finish: Stainless Steel .075
- Waste Fitting Finish: Stainless Steel .075
- Supplies: 1/2" (13mm) IPS Inlets

**Compliance Certifications - Meets or Exceeds
the Following Specifications:**

- **SINK:**
ASME A112.19.3
- **FAUCET:**
ASME A112.18.1
CSA B125.1
NSF 61/Section 9
NSF 372
ANSI A117.1

FAIRACRES™ 33 x 22 STAINLESS STEEL KITCHEN SINK KIT

20 GAUGE STAINLESS STEEL



NOTES:

WE RECOMMEND USING BASIN AS A TEMPLATE TO DETERMINE PROPER CONTOUR. CUT COUNTERTOP 38MM (1-1/2") INSIDE BASIN CONTOUR.

* DIMENSIONS SHOWN FOR LOCATION OF SUPPLIED AND "P" TRAP ARE SUGGESTED. SEALING COMPOUND SUPPLIED BY OTHERS.

IMPORTANT: Dimensions of fixtures are nominal and may vary within the range of tolerances established by ANSI Standard A112.19.3. These measurements are subject to change or cancellation. No responsibility is assumed for use of superseded or voided pages.