

T018.502 Bath/Shower Trim Shown

GENERAL DESCRIPTION:

SHOWERHEAD

5-3/4" Single function showerhead at maximum 2.5 gpm/9.5 L/min.

WALL TUB SPOUT

Metal slip-on diverter spout.

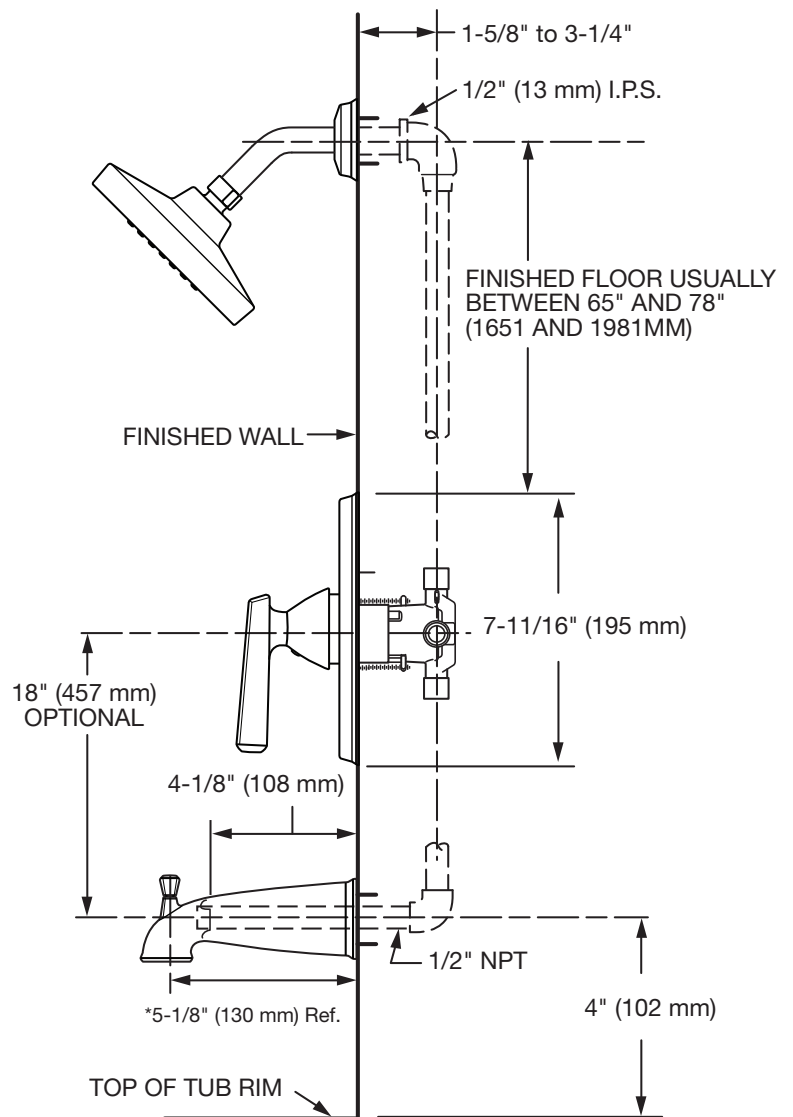
WALL VALVE TRIM

Available with metal lever handle.
Brass wall escutcheon.

MODEL NUMBER:

TRIM KITS:

- ❑ **T018.502 Edgemere BATH/SHOWER Trim Kit (2.5 gpm)**
Metal lever handle. LESS valve body.
- ❑ **T018.501 Edgemere Shower ONLY Trim Kit (2.5 gpm)**
Metal lever handle. LESS valve body.



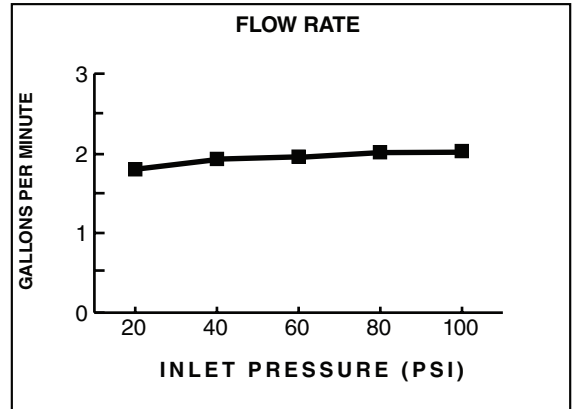
SUGGESTED SPECIFICATION

Bath/shower fitting shall feature 5-3/4" -single function showerhead with Max. 2.5 gpm/9.5 L/min. flow rate. Fitting shall be: American Standard - Trim Kit Model # T186.50_._._ and Valve Body Model # R11_.

CODES AND STANDARDS

These products meet or exceed the following codes and standards:

- ANSI A117.1**
- ASME A112.18.1 / CSA B125.1**
- ASSE 1016**



TRIM KITS *	Product Number	Description	* TRIM & ROUGH MUST BE ORDERED SEPARATELY.			Finish Options			
			ADA	Polished Chrome	Legacy Bronze	Brushed Nickel	002	278	295
	T018.502	Edgemere Bath/Shower Trim Kit (2.5 gpm) Metal lever handle. LESS valve body.	ADA						
	T018.501	Edgemere Shower ONLY Trim Kit (2.5 gpm) Metal lever handle. LESS valve body.	ADA						

ROUGH VALVE BODIES	Product Number	Description
	R111	Rough Valve Body less trim. Universal inlets/outlets.
	R111SS	Rough Valve Body less trim. Universal inlets/outlets with Screwdriver Stops.
	R110	Rough Valve Body less trim. Direct sweat inlets/outlets.
	R110SS	Rough Valve Body less trim. Direct sweat inlets/outlets with Screwdriver Stops.
	R115	Rough Valve Body less trim. Female Thread inlets/outlets.
	R115SS	Rough Valve Body less trim. Female Thread inlets/outlets with Screwdriver Stops.
	R117	Rough Valve Body less trim. PEX inlets/universal outlets for Crimp Ring PEX system (ASTM F1807).
	R117SS	Rough Valve Body less trim. PEX inlets/universal outlets for Crimp Ring PEX system (ASTM F1807) with Screwdriver Stops.
	R118	Rough Valve Body less trim. PEX inlets/universal outlets for Cold Expansion PEX system (ASTM F1960).
	R118SS	Rough Valve Body less trim. PEX inlets/universal outlets for Cold Expansion PEX system (ASTM F1960) with Screwdriver Stops.
	R119	Rough Valve Body less trim. CPVC inlets/universal outlets.
R119SS	Rough Valve Body less trim. CPVC inlets/universal outlets with Screwdriver Stops.	

 Meets the American Disabilities Act Guidelines and **ANSI A117.1** Requirements for the physically challenged.