



EDGEMERE™ RIGHT HEIGHT® ELONGATED HET 12" ROUGH COMPLETE TOILET

VITREOUS CHINA

BARRIER FREE

EDGEMERE™ RIGHT HEIGHT® ELONGATED HET 12" ROUGH COMPLETE TOILET

□ 765AA.101

- Fast and easy DIY installation
- Installation videos can be found on: [YouTube.com/AmericanStandard](https://www.youtube.com/AmericanStandard)
- Quality finishes with durability that can withstand everyday use
- Powerful flush holds the highest **MaP score of 1,000 grams for optimal waste removal
- Right Height Elongated Toilet meets ADA Requirements
- Stays cleaner, longer with EverClean®. EverClean® surface inhibits the growth of stain- and odor-causing bacteria, mold and mildew on the surface
- PowerWash® rim scrubs bowl with pressurized water every flush
- Oversized 3" Flush Valve with Chemical Resistant Flapper and Siphon action jetted bowl with 2" fully glazed trapway
- 1.28 gpf (4.8 Lpf) meets definition for HET (High Efficiency Toilet)
- Meets EPA WaterSense® criteria
- 12" Rough-in
- Complete toilet includes tank, bowl, seat, bolts and bolt caps and wax ring
- Generous 8" x 9" water surface area help keeps dirt from sticking to the bowl
- Includes Slow Close®, color-matched seat
- 100% factory flush tested
- Limited lifetime warranty on chinaware, 5 year warranty on all mechanical parts, and 1 year warranty on seat.

Nominal Dimensions:

30-3/16" x 17" x 31-1/8"
(767 x 432 x 790mm)

Compliance Certifications -

Meets or Exceeds the Following Specifications:

- ASME A112.19.2/CSA B45.1 for Vitreous China Fixtures
- US EPA WaterSense® Specification for HET's

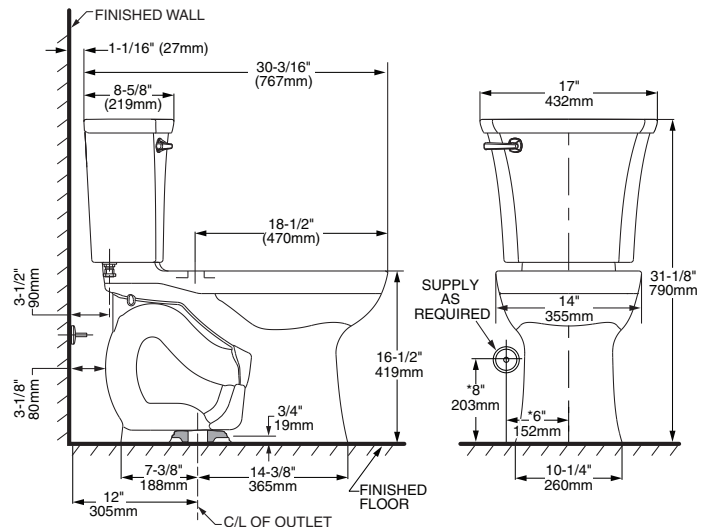
To Be Specified:

Color: White

Supply with stop

MEETS THE AMERICANS WITH DISABILITIES ACT GUIDELINES AND ICC ANSI A117.1 REQUIREMENTS FOR ACCESSIBLE AND USABLE BUILDING FACILITIES-CHECK LOCAL CODES.

** Maximum Performance (MaP) testing performed by IAPMO R&T Lab. MaP Report conducted by Veritec Consulting, Inc. and Koeller and Company.



NOTES:
THIS COMBINATION IS DESIGNED TO ROUGH-IN AT A MINIMUM DIMENSION OF 305MM (12") FROM FINISHED WALL TO C/L OF OUTLET.
* DIMENSIONS SHOWN FOR LOCATION OF SUPPLY ARE SUGGESTED. SUPPLY NOT INCLUDED WITH FIXTURE AND MUST BE ORDERED SEPARATELY.

IMPORTANT: Dimensions of fixtures are nominal and may vary within the range of tolerance established by ANSI Standard A112.19.2. These measurements are subject to change or cancellation. No responsibility is assumed for use of superseded or voided pages.

EVERCLEAN®

