

**Lexington™ Right Height®
Elongated Complete Toilet**

718AA107

- Vitreous china
- High efficiency 1.28gpf/4.8Lpf toilet
- Meets EPA WaterSense® criteria
- Elongated siphon action jetted bowl
- 16-3/4" (425mm) rim height for accessible applications
- Fully-glazed 2-1/4" (57mm) trapway
- 3" (76mm) flush valve
- Side-mounted chrome handle
- Includes slow-close seat
- Warranty - Lifetime on chinaware, 5-year on mechanical parts, 1-year on seat

Nominal Dimensions:

28-1/8" x 17-1/2" x 31"
(714 x 444 x 787mm)

Supply by others

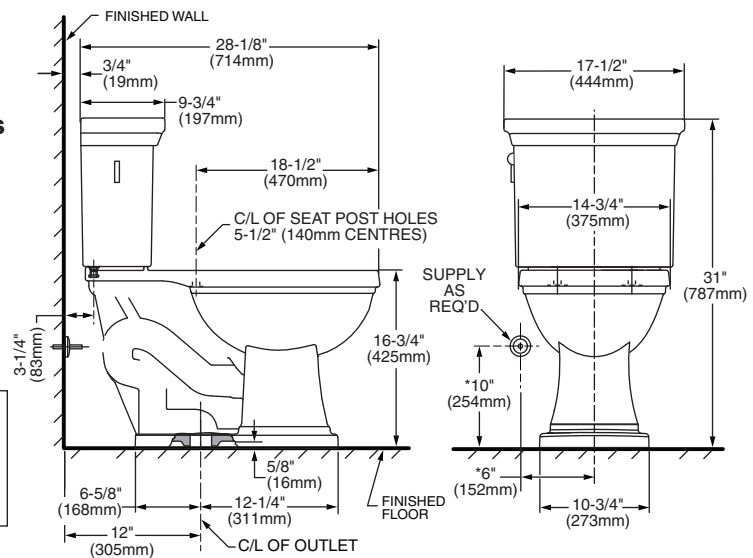
**Compliance Certifications - Meets or Exceeds
the Following Specifications:**

- ASME A112.19.2/CSA B45.1 for Vitreous China Fixtures
- US EPA WaterSense® Specification for HETs

To Be Specified:

Color: White

Supply with Stop:



NOTES:
THIS COMBINATION IS DESIGNED TO ROUGH-IN AT A MINIMUM DIMENSION OF 305MM (12") FROM FINISHED WALL TO C/L OF OUTLET.
SUPPLY NOT INCLUDED WITH FIXTURE AND MUST BE ORDERED SEPARATELY.
* DIMENSIONS SHOWN FOR LOCATION OF SUPPLY ARE SUGGESTED.

IMPORTANT: Dimensions of fixtures are nominal and may vary within the range of tolerance established by ASME Standard A112.19.2. These measurements are subject to change or cancellation. No responsibility is assumed for use of superseded or voided pages.

MEETS THE AMERICANS WITH DISABILITIES ACT GUIDELINES AND ANSI A117.1 REQUIREMENTS FOR ACCESSIBLE AND USABLE BUILDING FACILITIES - CHECK LOCAL CODES.
● When installed so top of seat is 432 to 483mm (17" to 19") from the finished floor.

