

# American Standard

## PRESSURE BALANCE TEMPERATURE/VOLUME CONTROL VALVE

MODEL NUMBER

**R121SS**

## COLONY SOFT SHOWER TRIM

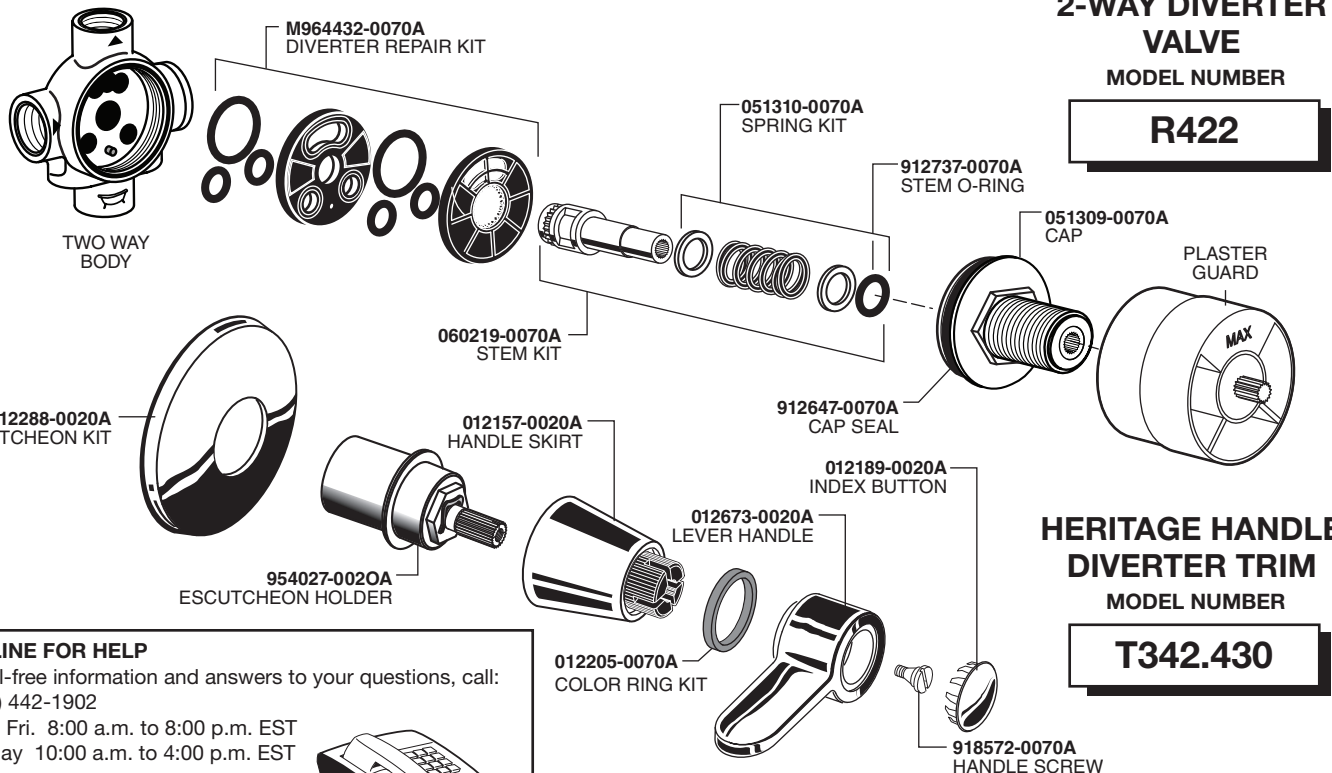
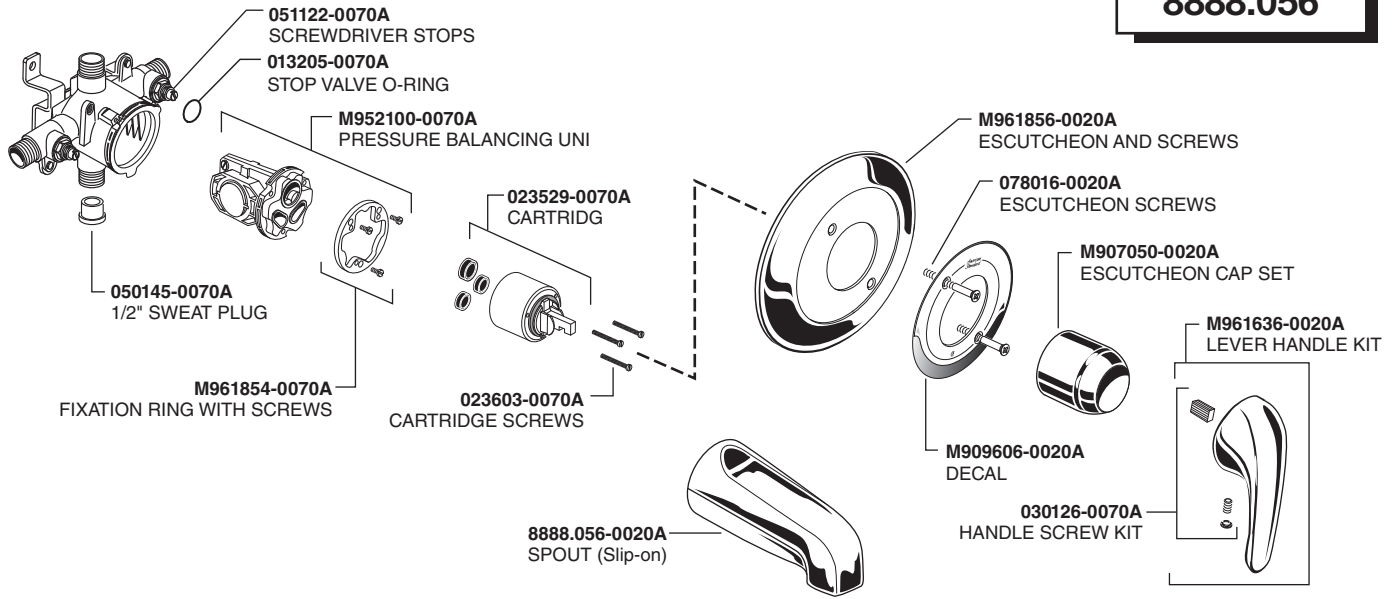
MODEL NUMBER

**T675.500**

## TUB SPOUT

MODEL NUMBER

**8888.056**



## 2-WAY DIVERTER VALVE

MODEL NUMBER

**R422**

## HERITAGE HANDLE DIVERTER TRIM

MODEL NUMBER

**T342.430**

### HOT LINE FOR HELP

For toll-free information and answers to your questions, call:  
1 (800) 442-1902

Mon. - Fri. 8:00 a.m. to 8:00 p.m. EST  
Saturday 10:00 a.m. to 4:00 p.m. EST

IN CANADA 1-800-387-0369  
(TORONTO 1-905-306-1093)

Weekdays 8:00 a.m. to 7:00 p.m. EST

IN MEXICO 01-800-839-1200



PART OF **LIXIL**

# American Standard

**FIXED HAND SHOWER**  
PART NUMBER

**1660.505.002**

1660505.002  
HAND SHOWER



**3-FUNCTION HAND SHOWER**  
PART NUMBER

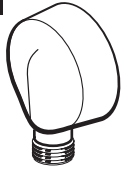
**1660.502.002**

1660502.002  
3-FUNCTION  
HAND SHOWER

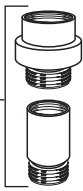
**WALL SUPPLY**  
PART NUMBER

**8888.037.002**

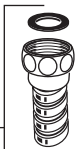
8888037.002  
WALL SUPPLY



M962520-0020A  
CHECK VALVE

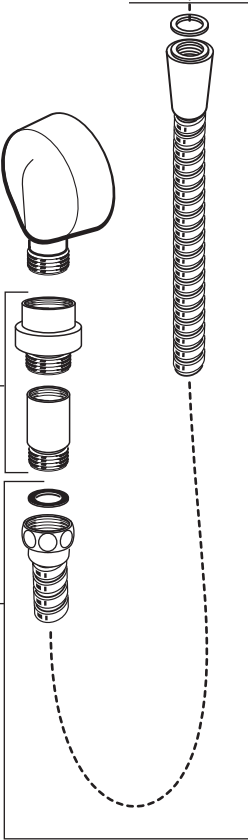


030782-0020A  
HOSE KIT

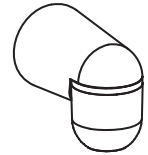


**METAL HOSE**  
PART NUMBER

**8888.035.002**



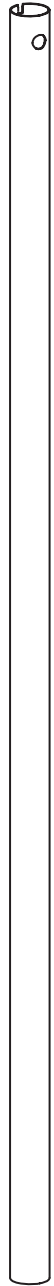
M962506-0020A  
SUPPORT BRACKET



**36" SLIDE BAR**  
PART NUMBER

**1660.236.002**

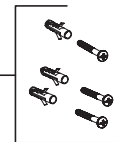
M919211-0020A  
36" SLIDE BAR



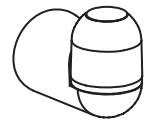
M962507-0020A  
HAND SHOWER HOLDER



M950105-0070A  
HARDWARE KIT



M962506-0020A  
SUPPORT BRACKET



**HOT LINE FOR HELP**

For toll-free information and answers to your questions, call:  
1 (800) 442-1902

Mon. - Fri. 8:00 a.m. to 8:00 p.m. EST  
Saturday 10:00 a.m. to 4:00 p.m. EST

IN CANADA 1-800-387-0369  
(TORONTO 1-905-306-1093)

Weekdays 8:00 a.m. to 7:00 p.m. EST

IN MEXICO 01-800-839-1200



PART OF **LIXIL**