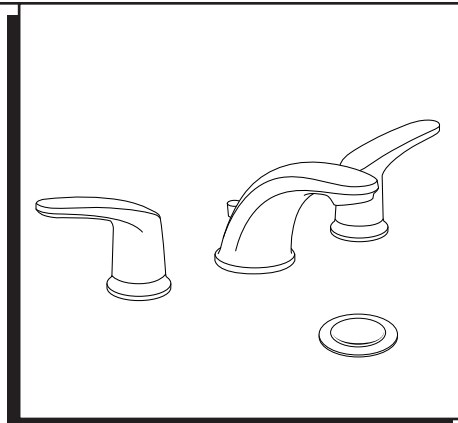


**COLONY® PRO
WIDESPREAD LAVATORY FAUCET**

*Thank you for selecting American Standard...
the benchmark of fine quality for over 100 years.*

**To ensure that your installation proceeds smoothly-please
read these instructions carefully before you begin.**



Certified to comply with ANSI A112.18.1M

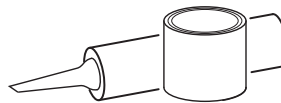
RECOMMENDED TOOLS



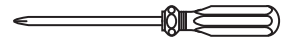
Adjustable Wrench



Channel Locks



Plumbers' Putty
or Caulking

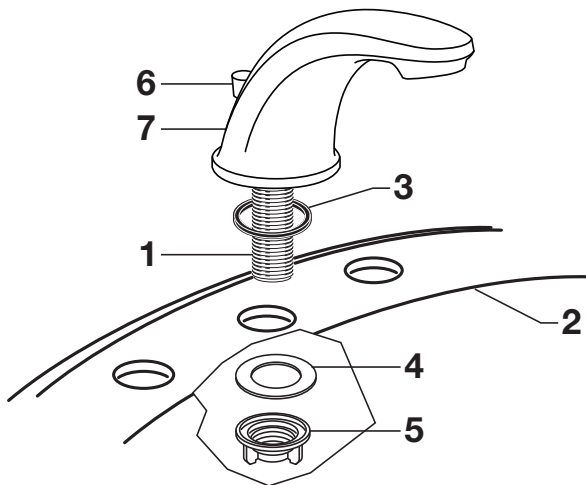


Phillips Screwdriver

1 INSTALL SPOUT

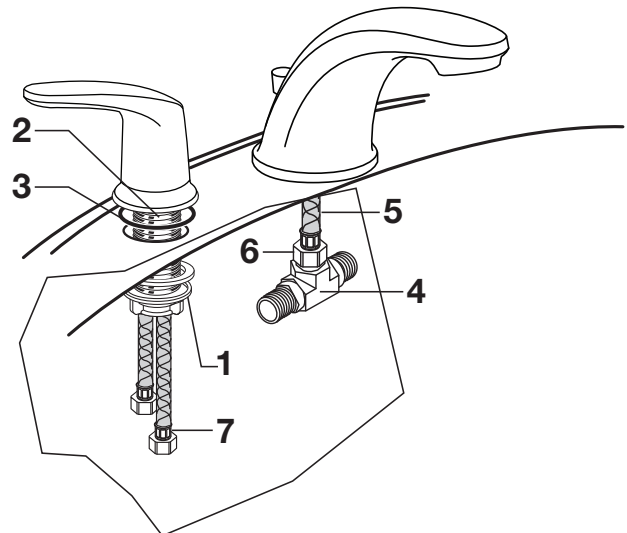
CAUTION Turn off hot and cold water supplies before beginning.

- Insert SPOUT SHANK (1) through center hole of SINK (2), making sure RUBBER RING (3) is properly positioned.
- Assemble FRICTION WASHER (4) and LOCKNUT (5) onto threads of SPOUT SHANK (1) from underside of SINK (2).
- Insert LIFT ROD (6) through SPOUT (7). Align SPOUT (7) and tighten LOCKNUT (5).



2 VALVE INSTALLATION

- Insert VALVE BODY (2), RUBBER RING (3), and two hoses through the side hole of the sink.
- From under sink tighten LOCK NUT (1) to secure VALVE BODY (2).
- Connect TEE ASSEMBLY (4) to HOSE (5). Tighten COUPLING NUT (6).
- Tighten SPOUT BODY SUPPLY HOSES (7) to TEE ASSEMBLY (4).



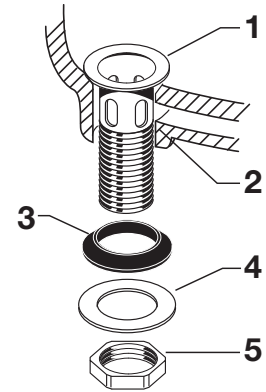
3 INSTALL POP-UP DRAIN

- Apply a bead of putty to underside of FLANGE (1).



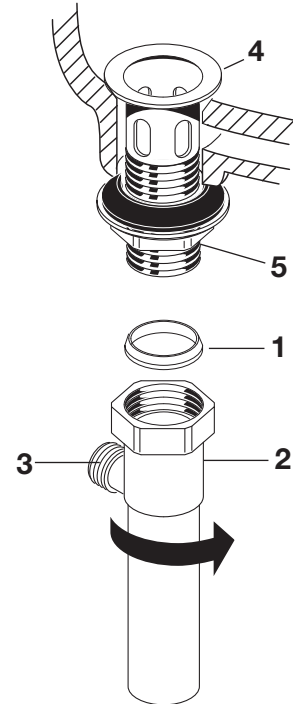
3a

- Drop FLANGE (1) into LAVATORY DRAIN (2). From below assemble RUBBER GASKET (3), METAL WASHER (4) and LOCK NUT (5). Do not tighten.



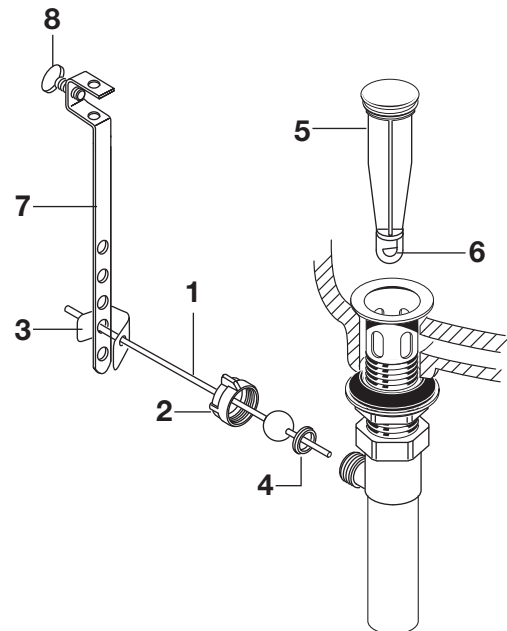
3b

- Place SEAL (1) with small end facing up into TAILPIECE (2) and tighten against DRAIN BODY (4). PIVOT ROD (3) opening in TAILPIECE (2) should face the rear of the lavatory. Tighten LOCK NUT (5) with channel locks. Do not over tighten.



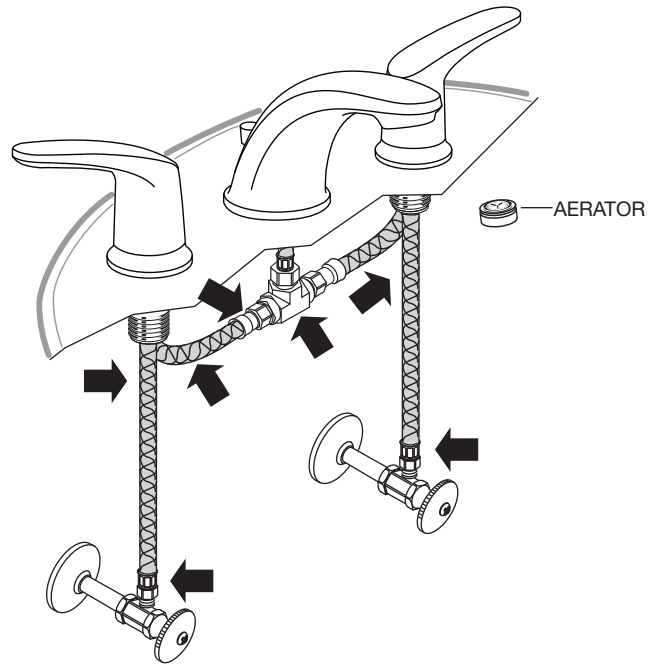
3c

- Assemble PIVOT ROD (1), PIVOT NUT (2), CLIP (3) and SEAL (4) as shown. Hand tighten PIVOT NUT (2) Drop STOPPER (5) into drain. (For vandal proof drain rotate stopper so PIVOT ROD (1) goes through EYE (6) of STOPPER (5). Make connection to "P" TRAP.
- Remove one end of CLIP (3) from PIVOT ROD (1) by squeezing ends together while sliding.
- Insert PIVOT ROD (1) into second or third hole in EXTENSION (7) and reassemble CLIP (3). (EXTENSION (7) may need to be bent.)
- Adjust STOPPER (5) height by repositioning EXTENSION (7) and tightening THUMBSCREW (8).



4 TEST INSTALLED FAUCET

- Remove AERATOR. With handles in OFF position, turn on water supplies and check all connections for leaks.
- Operate both handles to flush water lines thoroughly. Operate LIFT ROD and check DRAIN for leaks. Replace AERATOR.



5 IF FAUCET DRIPS PROCEED AS FOLLOWS:

- Aerator may accumulate dirt causing distorted and reduced water flow. Remove aerator and rinse clean.
- If spout drips, operate handles several times from OFF to ON position. Do not force-handles turn only 90°.

6 CARE INSTRUCTIONS:

DO: SIMPLY RINSE THE PRODUCT CLEAN WITH CLEAR WATER. DRY WITH A SOFT COTTON FLANNEL CLOTH.

DO NOT: DO NOT CLEAN THE PRODUCT WITH SOAPS, ACID, POLISH, ABRASIVES, HARSH CLEANERS, OR A CLOTH WITH A COARSE SURFACE.

American Standard

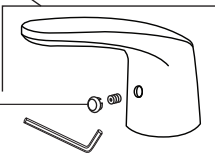
COLONY® PRO WIDESPREAD LAVATORY FAUCET

MODEL NUMBER

7075.800

7075.802

M970190-YYY0A
LEVER HANDLE KIT



M970169-YYY0A
SET SCREW & BUTTON
& INDEX BUTTON RED/BLUE

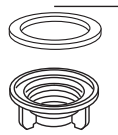
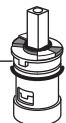
M911107-0070A
ADAPTER



M964492-0070A
CARTRIDGE NUT

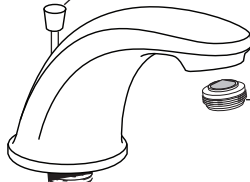


M964005-0070A
VALVE



M970187-0070A
ATTACHMENT
NUT KIT

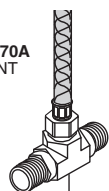
M970182-YYY0A
POP-UP KNOB
& ROD



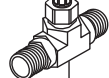
M964479-0070A
AERATOR

A911758-0070A
SPOUT GASKET

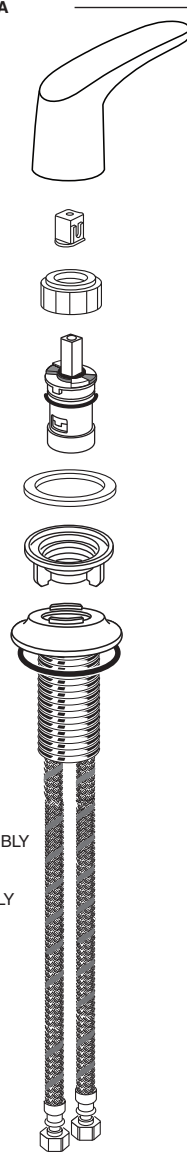
M970187-0070A
ATTACHMENT
NUT KIT



M904521-0070A
TEE ASSEMBLY

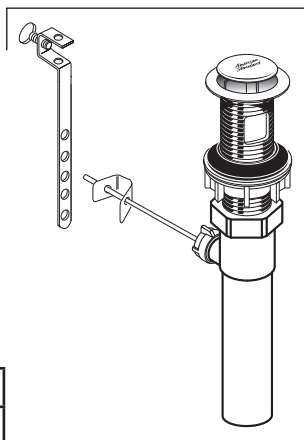


M970191-YYY0A
SIDE VALVE KIT



M953465-YYY0A
PLASTIC DRAIN ASSEMBLY

M953450-YYY0A
METAL DRAIN ASSEMBLY



Replace the "YYY" with
appropriate finish code

POLISHED CHROME	002
LEGACY BRONZE	278
SATIN NICKEL	295

PART OF LIXIL

HOT LINE FOR HELP

For toll-free information and answers to your questions, call:
1 (800) 442-1902

Mon. - Fri. 8:00 a.m. to 8:00 p.m. EST
Saturday 10:00 a.m. to 4:00 p.m. EST

IN CANADA 1-800-387-0369
(TORONTO 1-905-306-1093)

Weekdays 8:00 a.m. to 7:00 p.m. EST

IN MEXICO 01-800-839-1200

