

**CONTEMPO
WHIRLPOOL AND BATHING POOL**

- 2383.018W Whirlpool**
 - Acrylic with fiberglass reinforcement
 - Lumbar support with built-in armrests
 - Pre-leveled tub bottom
 - Single-speed, self-draining pump/motor
 - Six multi-directional and flow-adjustable jets
 - Color-matched jets and trim
 - Deck-mounted on/off control
 - Two silent air volume controls
 - Quick Connect Safe-T-Heater connection system

- 2383.018WM002 Whirlpool**
 - Same as above, but with chrome trim

- 2383.002 Bathing Pool**

Nominal Dimensions:

1829 x 1067 x 648mm
(72" x 42" x 25-1/2")

Compliance Certifications -

Meets or Exceeds the Following Specifications:

- Underwriters Laboratories - Hydromassage Bathtubs UL 1795
- ASME A112.19.7M for Whirlpool Appliances
- ANSI Z124.1 for Plastic Bathtubs
- ASTM E162 for Flammability
- NFPA 258 for Smoke Density

SEE REVERSE FOR PRODUCT DIMENSIONS
AND SPECIFICATIONS



To Be Specified - Required:

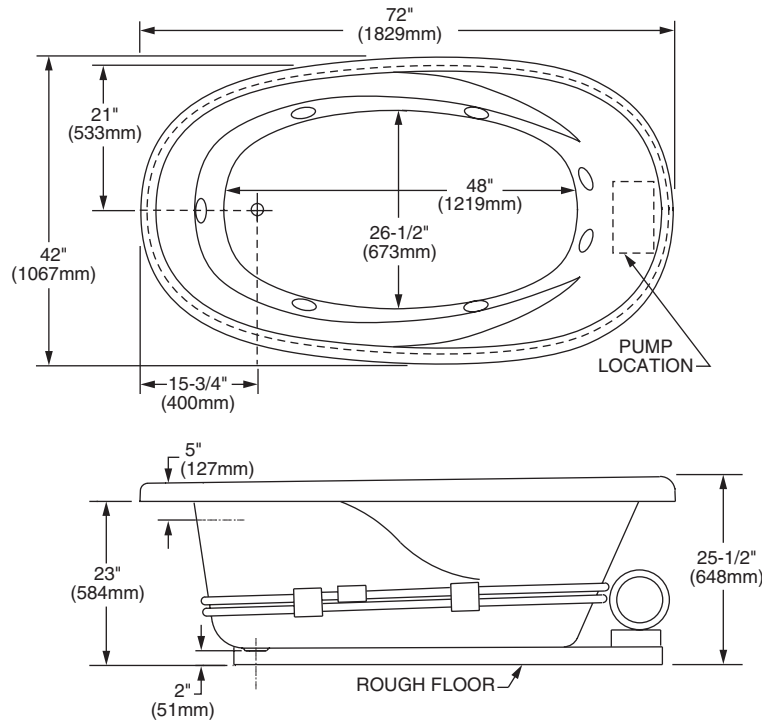
- Color:
- Bath Filler: (specify finish)
- Bath Drain: (specify finish)

To Be Specified - Optional:

- Heater*: 9075.120 or EZHEAT-100

For color/finish availability and other faucet choices, please see the Product Selector and Pricing Guide.

* **NOTE:** The Whirlpool heater is designed to maintain water temperature during operation. It will not heat cold water to desired bathing temperature.



GENERAL SPECIFICATIONS FOR 2383	
INSTALLED SIZE	72 x 42 x 25-1/2 In. (1829 x 1067 x 648mm)
WEIGHT	100 Lbs. (45 Kg.)
WEIGHT w/WATER	841 Lbs. (382 Kg.)
GAL. TO OVERFLOW	89 Gal. (337 L)
MIN. OPERATING GAL.	41 Gal. (155 L)
BATHING WELL AT SUMP	48 x 26-1/2 In. (1219 x 673mm)
BATHING WELL AT RIM	60-3/4 x 35-3/4 In. (1543 x 908mm)
WATER DEPTH TO OVERFLOW	18-1/2 In. (470mm)
FLOOR LOADING (PROJECTED AREA)	40 Lbs./Sq.Ft. (196 Kgs./Sq.m)
PTS.	17.2
CUBE (FT ³)	48
ELECTRICAL SPECIFICATIONS	
PUMP	1.4 HPR, 9.7 AMPS, 120V.

NOTES:

BATH CAN BE INSTALLED EITHER ABOVE OR BELOW FLOOR LINE AS PIER, ISLAND, OR PENINSULA TYPE INSTALLATION. SUMP OF BATH IS SUPPORTED BY INTEGRAL FEET. NO ADDITIONAL SUPPORT REQUIRED. ENCLOSING MATERIAL MUST BE PROVIDED BY OTHERS.

FITTINGS NOT INCLUDED AND MUST BE ORDERED SEPARATELY.

PROVIDE SUITABLE REINFORCEMENT FOR ALL SUPPORTS.

IF INSTALLING A DECK-MOUNTED FITTING, BEFORE DRILLING ANY HOLES: CHECK FOR INTERFERENCE WITH CIRCULATING SYSTEM PIPING.

SUPPLY PIPING NOT INCLUDED.

IMPORTANT: Dimensions of fixtures are nominal and may vary within the range of tolerances established by ANSI Standard Z124.1. These measurements are subject to change or cancellation. No responsibility is assumed for use of superseded or voided pages.