

**DANVILLE™ 31 x 20 STAINLESS STEEL
KITCHEN SINK**

- ❑ **18CR.312000S.075** 60/40 Double Bowl
 - 18 Gauge Stainless Steel
 - 18-10 Chrome Nickel content
 - Large bowl/small bowl combination sink
 - Cutout template and instructions included
 - Undermount installation
 - 36" (914mm) cabinet required
 - Limited Lifetime Warranty

Nominal Dimensions:

31" x 20" x 9" / 7-1/2"
(787 x 508 x 229mm / 190mm)

Large Bowl Size:

15-5/16" (389mm) wide
18" (458mm) front to back
9" (229mm) deep

Small Bowl Size:

12-9/16" (319mm) wide
15-15/16" (404mm) front to back
7-1/2" (190mm) deep

**Compliance Certifications - Meets or
Exceeds the Following Specifications:**

- ASME A112.19.3

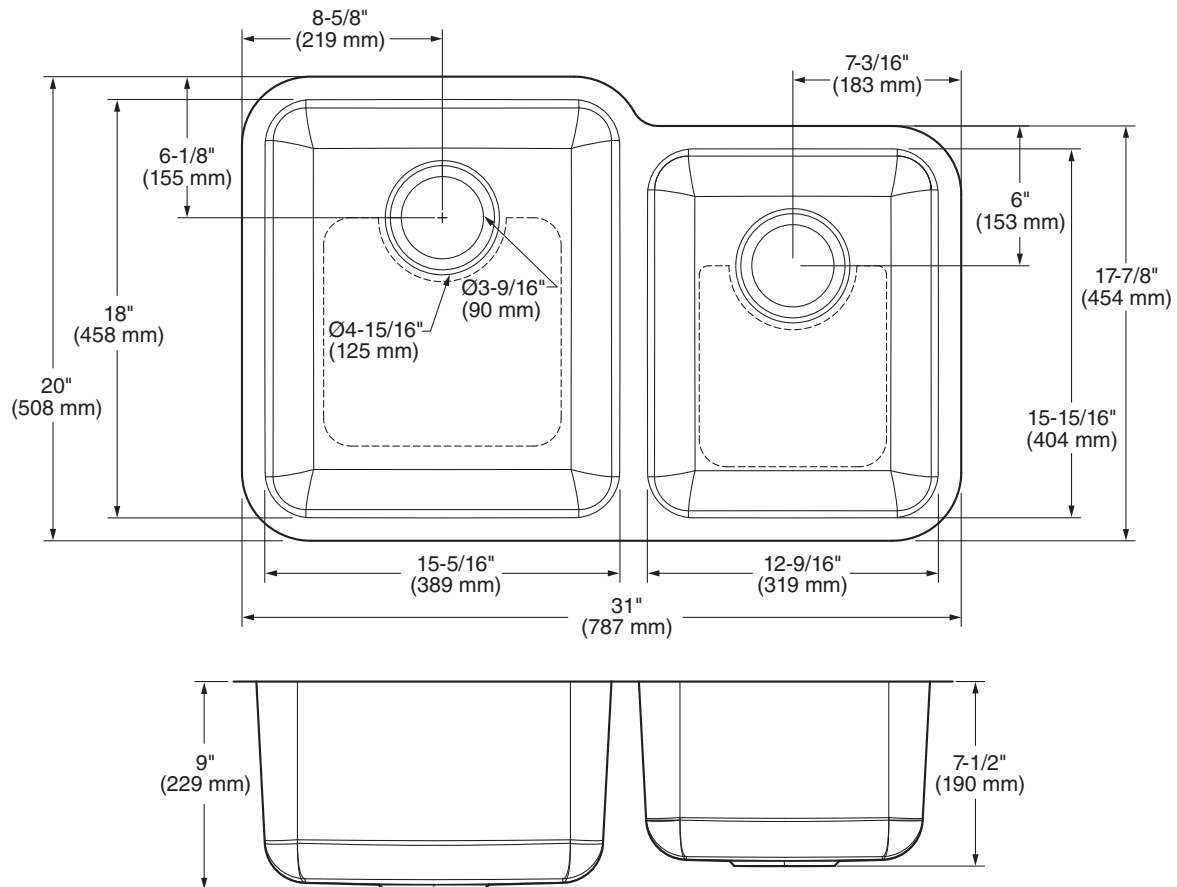


* Sink only. Waste fittings not included.

SEE REVERSE FOR ROUGHING-IN DIMENSIONS
AND PRODUCT SPECIFICATIONS

To Be Specified:

- ❑ Color: Stainless Steel .075



NOTES:

WE RECOMMEND USING BASIN AS A TEMPLATE TO DETERMINE PROPER CONTOUR. CUT COUNTERTOP 38MM (1-1/2") INSIDE BASIN CONTOUR.

* DIMENSIONS SHOWN FOR LOCATION OF SUPPLIED AND "P" TRAP ARE SUGGESTED.

FITTINGS NOT INCLUDED WITH FIXTURE AND MUST BE ORDERED SEPARATELY.

SEALING COMPOUND SUPPLIED BY OTHERS.

IMPORTANT: Dimensions of fixtures are nominal and may vary within the range of tolerances established by ANSI Standard A112.19.3. These measurements are subject to change or cancellation. No responsibility is assumed for use of superseded or voided pages.