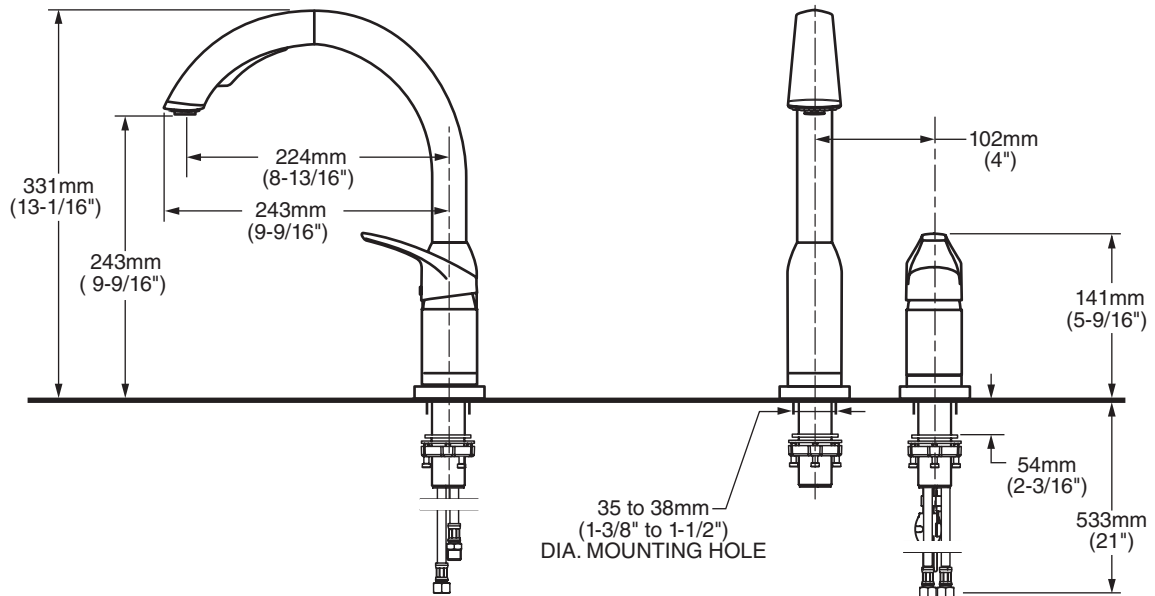




MODEL NUMBER:

- 4101.350 Kitchen Faucet with Pull-Out Spray
- 4101.350.F15 Kitchen Faucet with Pull-Out Spray



GENERAL DESCRIPTION:

Brass body with brass swivel spout (130° rotation). Pull-out spray spout with adjustable spray pattern and toggle button activation. Nylon reinforced hose is 48" (1250mm) long. Washerless 40mm ceramic disc valve cartridge. Braided flexible supply hoses with 3/8" compression connections. 2.2 gpm/8.3 L/min. maximum flow rate, 1.5 gpm/5.7 L/min, maximum flow rate for F15 models.

PRODUCT FEATURES:

Ceramic Disc Valve Cartridge: Assures smooth, precise valve control and a lifetime of drip-free, maintenance-free performance..

Memory Position Valving: Allows user to turn valve on and off at preferred temperature setting without readjusting handle position each time.

Lead Free: Faucet contains ≤ 0.25% total lead content by weighted average.

Pull-out Spray: With toggle button activation. Adjustable spray patterns - stream to spray.

Integral Check Valves: Prevents back flow.

Choice of Finishes: Available in Polished Chrome or Stainless Steel (PVD).

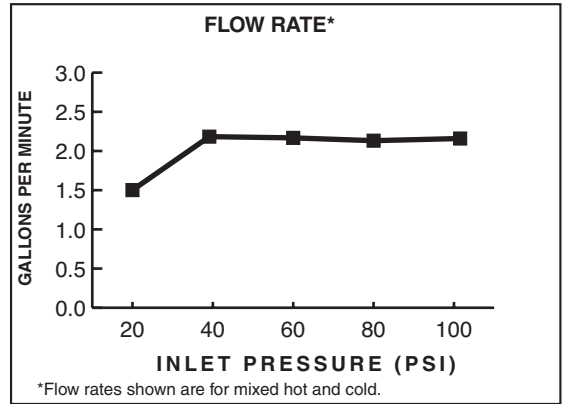
SUGGESTED SPECIFICATION:

Single control kitchen faucet shall feature a brass swivel spout, metal lever handle and a pull-out spray with toggle button activation. Shall also feature washerless ceramic disc valve cartridge, flexible supply hoses and two integral check valves. Fitting shall be American Standard Model # 4101.350.____.____.

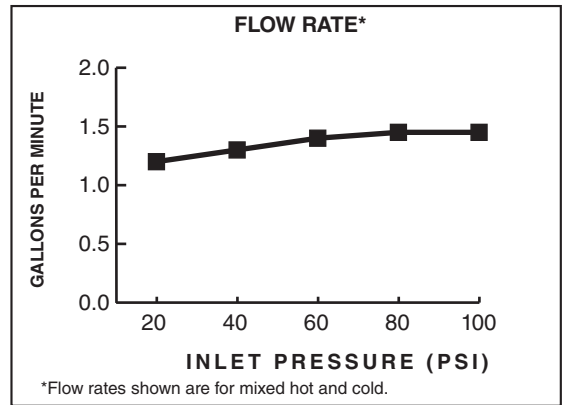
CODES AND STANDARDS

These products meet or exceed the following codes and standards:

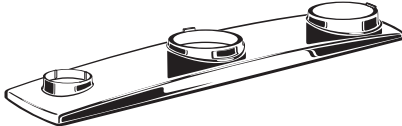

- ANSI A117.1
- ASME A112.18.1
- CSA B125
- NSF 61 / Section 9 & Annex G




2.2 gpm/8.3 L/min. FLOW RATE



1.5 gpm/5.7 L/min. FLOW RATE

Product Number	Description	Finish Options	
		Polished Chrome	PVD Stainless Steel
4101.350	Pull-Out Kitchen Faucet - 2.2 gpm/8.3 L/min. maximum flow rate	002	075
4101.350.F15	Pull-Out Kitchen Faucet - 1.5 gpm/5.7 L/min. maximum flow rate		
4101.000P	Optional Deck Plate 		
4101.115	Optional Soap Dish. Can be mounted anywhere on counter. (hardware provided) 		

 Meets the American Disabilities Act Guidelines and **ANSI A117.1** Requirements for the physically challenged.