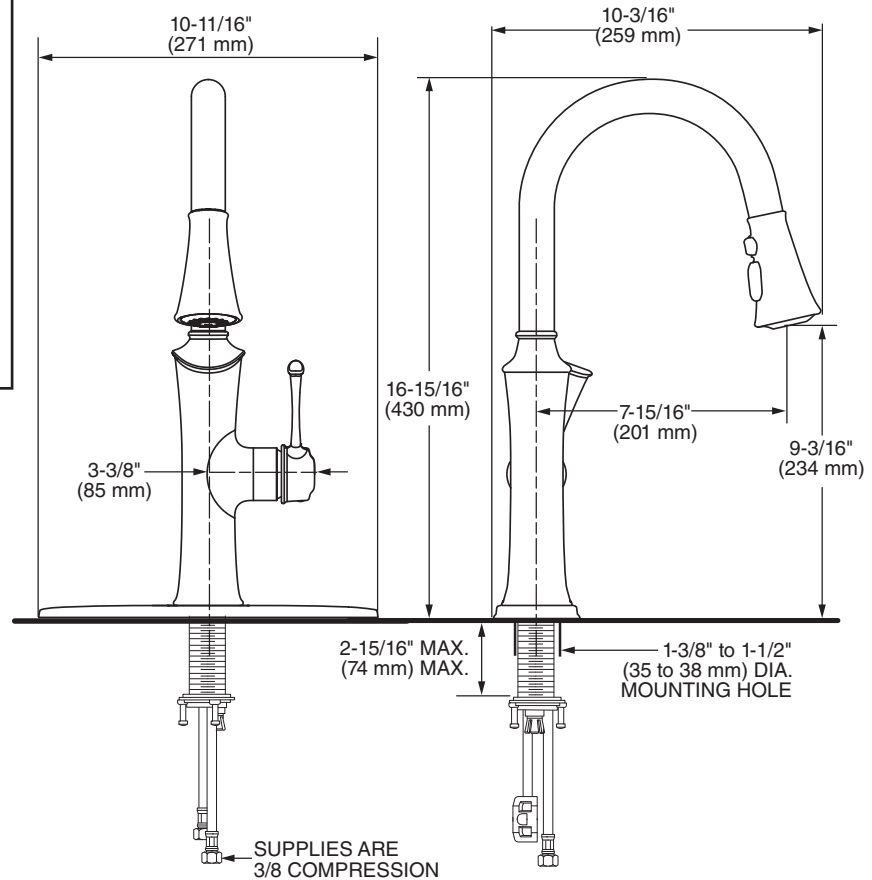


MODEL NUMBER:

☐ **7022300.013 Pull-Down Kitchen Faucet**
Polished Nickel Finish.



GENERAL DESCRIPTION:

1-Handle kitchen faucet featuring metal swivel spout and two function spray head, plus pause feature. Includes Re-Trax Retraction System and Dock-Tite Docking System. 35 mm ceramic disc valve cartridge, metal body and ADA metal lever handle. Includes flexible braided 38" supply hoses with 3/8" compression connections. Durable braided nylon spray hose is complete with two integral check valves. Maximum flow rate is 1.8 gpm / 6.8 L/ min. Metal mounting shank with metal fixation ring. Fitting can be mounted with or without included deckplate. Includes color-matched soap dispenser.

PRODUCT FEATURES:

- Multi function spray head:**
One-touch stream or spray with Pause function
- Re-Trax Retraction System:**
Ensures smooth pull-out, operation, and retraction
- Dock-Tite Docking System:**
Sprayhead magnetically docks and locks securely in place
- Ceramic Disc Valve Cartridges:**
Lifetime of drip-free performance
- Optional Deckplate Included:**
Fits 1, 2, 3 or 4 hole sinks or counters
- Speed Connect Hoses:**
Easily snap together for a watertight connection

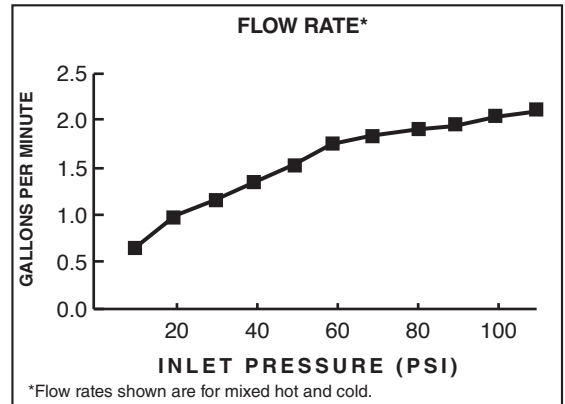
SUGGESTED SPECIFICATION

Single control kitchen pull-down faucet shall feature a high arc metal swivel spout and metal lever handle. Shall also feature 35 mm washerless ceramic disc valve cartridge and 38" flexible supply hoses. Faucet shall include Re-Trax Retraction System and Dock-Tite Docking System. Includes color-matched soap dispenser. Faucet shall be American Standard Model # 7022300.013

CODES AND STANDARDS

These products meet or exceed the following codes and standards:

- ANSI A117.1**
- ASME A112.18.1**
- CSA B125.1**
- NSF 61/Section 9**
- NSF 372**



1.8 gpm/6.8 L/min. FLOW RATE

Product Number	Description
7022300.013	Pull-Down Kitchen Faucet featuring Re-Trax™ and Dock-Tite™ technologies. Includes color-matched soap dispenser and deckplate (installation is optional). Polished Nickel finish

ADA Meets the American Disabilities Act Guidelines
ANSI A117.1 Requirements for the physically challenged.